

AVANT[®] 735

**Varaosakirja
Parts Manual
Dellista
Ersatzteilliste**



Serial numbers: < - XXXXXX2333

Table Of Contents

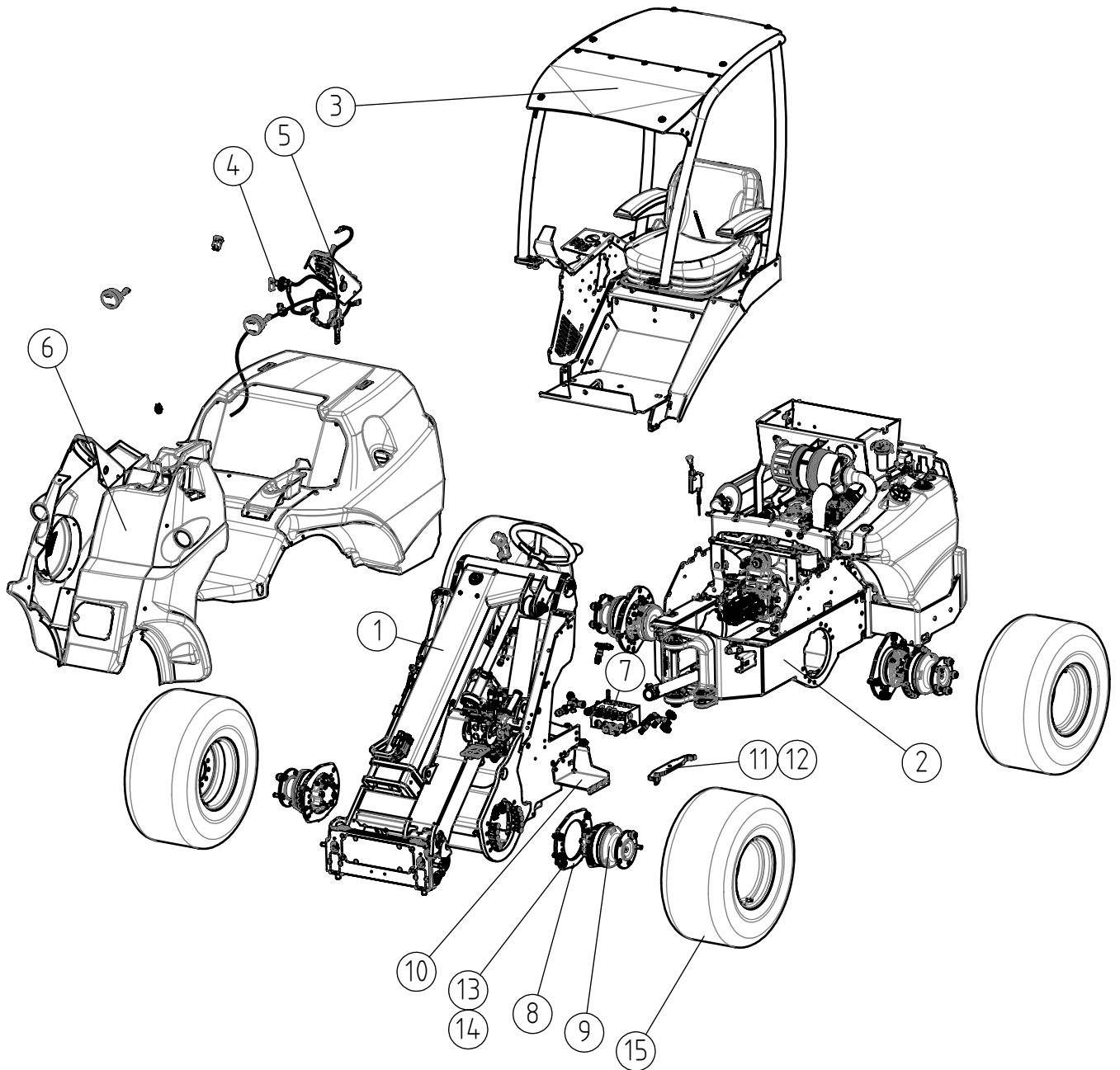
A439072	AVANT 735	4
A21724	FRONT CHASSIS, 700SER OPTIDRIVE ASSEMBLY	6
A34964	TELESCOPIC BOOM HD COMPLETE, 700 SERIES	8
A34965	OUTER BOOM HD, ASSEMBLY, 700 SERIES	10
A34966	INNER BOOM HD, ASSEMBLY, 700 SERIES	12
A436601	ATTACHMENT COUPLING PLATE CAST STEEL 700	14
A436614	LOCKING PIN ASSEMBLY ATTACHM COUPL PLATE	16
A436687	LINKAGE PIECE "BOOMERANG" CAST STEEL	18
65252	MULTI CONNECTOR, ON LOADER	20
A34233	CONTROL VALVE, COMPLETE ASSEMBLY 700 SER	22
64928	DIRECTIONAL VALVE HC-D3M/2	24
65187	CONTROL VALVE HI HDS 11/4-225 AVANT 700	26
A48998	STEERING COLUMN	28
A37250	HYDR. HOSES, STEERING, 700 SER OPTIDRIVE	30
A440870	DRIVE PEDAL ASSEMBLY 700 SERIES	32
A422190	HYDR. HOSES DRIVE PEDAL 700 SERIES	34
A413893	HYDRAULIC OIL COOLER, COMPLETE ASSEMBLY	36
A439071	REAR CHASSIS, 735, ASSEMBLY	38
A441337	REAR CHASSIS ASSEMBLY 700 SERIES	40
A37449	ARTICULATION JOINT ASSEMBL REAR FRAME	42
A415984	LOAD SENSOR SYSTEM, COMPLETE ASSEMBLY	44
A36913	REAR WEIGHT (BUMPER) 168 KG, ASSEMBLY	46
A439265	ENGINE V1505 STAGE V 735 ASSEMBLY	48
A429300	DIESEL ENGINE KUBOTA V1505 19KW WITHOUT	50
A439266	ACCESSORIES DIESEL ENGINE V1505 735	52
A451362	RADIATOR ASSEMBLY KUBOTA V1505/V2403 735	54
A441520	EXHAUST MUFFLER & PIPE AVANT 735	56
A441676	FUEL SYSTEM ASSEMBLY WITH FILTER 700/800	58
A433119	HYDRAULIC PUMPS 635/640/735 STAGE V	60
A439111	ENGINE BAY KUBOTA STG5 T4F 700-800	62
A436989	HYDRAULIC MANIFOLD & HOSES 800 SERIES	64
A436129	FUEL TANK ASSEMBLY 66L	66
A21587	SAFETY FRAME, COMPLETE ASSEMBLY	68
A49119	ROPS FRAME WITH FOPS CANOPY, 600/700 SER	70
A441357	ELECTRIC SYSTEM ASSEMBLY AVANT 700	72

16.6.2023

A423593	DASHBOARD ASSEMBLY		74
A448128	COVER PLATES FRONT & REAR FRAME ABS 700		76
A35804	COVER PLATES, KIT, FRONT FRAME, 700 ROPS	*ABS	78
A35954	COVER PLATES HD, KIT, FRONT FRAME 700	*PC/HD, optional extra	80
A442266	COVER PLATES REAR FRAME ABS 700/800		82
A452920	HYDR. HOSES DRIVE, WITH ANTI SLIP 700	*DKOS fittings from 2022 week 26	84
A37179	HYDR. HOSES, DRIVE, 735/745/755I OPTIDR	*E03 fittings before 2022 week 26	86
A421616	HYDRAULIC MANIFOLD DRIVE RELEASE 1-SPEED		88
A454023	HYDRAULIC MANIFOLD 1-SPEED DRIVE RELEASE	*DKOS fittings from 2022 week 26	90
A445009	HYDRAULIC MOTOR ASSEMBLY 398 CCM POCLAIN		92
65670	HYDRAULIC MOTOR MSE02 398CCM		94
65671	HYDRAULIC MOTOR B MSE02 398CCM W. BRAKE		96
A428313	DECAL KIT 400-800 SERIES		98
A35007	BOOM SELF LEVELLING, 700 SERIES		100
A47773	BOOM FLOATING, MACHINE WITHOUT SELF		102
A36878	ATTACHMENT CONTROL SWITCH PACK		104
A444296	AUX. HYDRAULICS OUTLET REAR DOUBLE		106
A37362	ANTI SLIP VALVE OPTIDRIVE 700 SERIES		108
A421617	HYDRAULIC MANIFOLD, ANTI SLIP VALVE	*DKOS fittings from 2022 week 26	110
A33916	WORK LIGHT KIT, 3 LED LIGHTS 700 LUMEN		112
A410648	ENGINE BLOCK HEATER, KIT, 528, 530, 600,		114
A443905	CAB L, 500-700 SERIES		116
A443979	WINDSCREEN WIPER ASSEMBLY CAB L 523-760I		118
A21517	CAB LX		120
A412488	TANK, COMPLETE, WINDSCREEN WASHER		122
A35735	DOOR, COMPLETE, CAB LX A21517		124
A434225	DOOR, LOWER PART CAB LX/DLX		126
A423029	FRONT LIGHTS ASSEMBLY CAB LX		128
A21738	UPHOLSTERY, COMPLETE, CAB LX		130
A21706	HEATER UNIT, COMPLETE, CAB DLX		132
A21710	CAB DLX 700 SERIES, ASSEMBLY		134
A21708	CAB DLX, ASSEMBLY		136
A21705	UPHOLSTERY, COMPLETE, CAB DLX		138
A423600	DASHBOARD CAB DLX ASSEMBLY		140
A21707	WINDSCREEN ASSEMBLY, CAB DLX		142
A421890	HEADLIGHTS, ROAD TRAFFIC KIT CAB DLX		144

16.6.2023

A439072 AVANT 735



16.6.2023

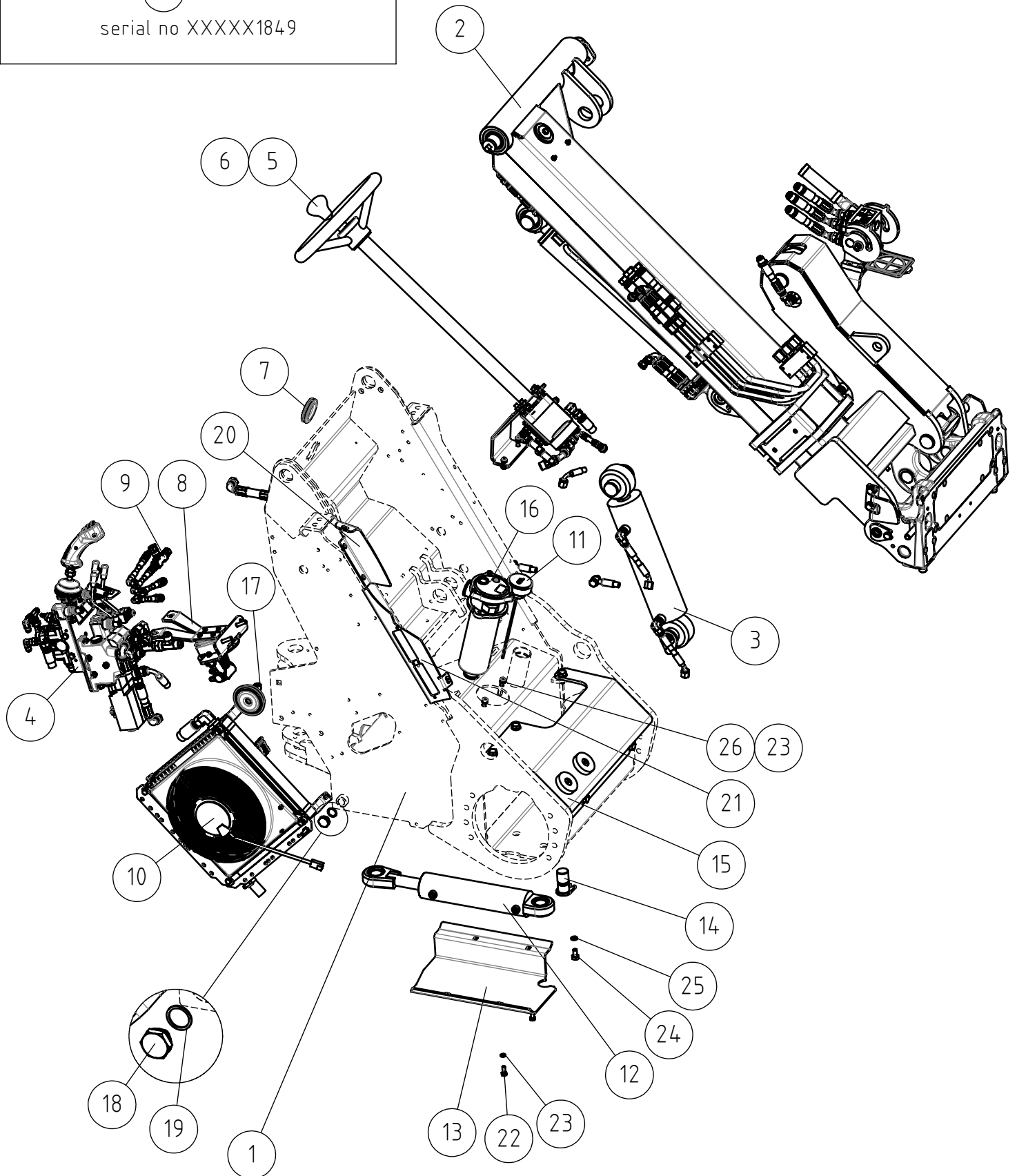
A439072 AVANT 735

REF	PART NO	QTY	DESCRIPTION	NOTES	PAGE
1	A21724	1	FRONT CHASSIS, 700SER OPTIDRIVE ASSEMBLY		6
2	A439071	1	REAR CHASSIS, 735, ASSEMBLY		38
3	A21587	1	SAFETY FRAME, COMPLETE ASSEMBLY		68
4	A441357	1	ELECTRIC SYSTEM ASSEMBLY AVANT 700		72
5	A423593	1	DASHBOARD ASSEMBLY		74
6	A448128	1	COVER PLATES FRONT & REAR FRAME ABS 700		76
7*	A452920	1	HYDR. HOSES DRIVE, WITH ANTI SLIP 700	DKOS fittings from 2022 week 26	84
7**	A37179	1	HYDR. HOSES, DRIVE, 735/745/755I OPTIDR	EO3 fittings before 2022 week 26	86
8	A417375	4	MOUNTING PLATE HYDR. MOTOR 745 POCLAIN		-
9	A445009	1	HYDRAULIC MOTOR ASSEMBLY 398 CCM POCLAIN		92
10	A416318	1	STEP, 700 SERIES WITH ROPS, MOD. 2015		-
11	A410307	1	FRAME LOCK, 700/800 SERIES		-
12	71727	1	LINCH PIN 9,5 MM		-
13	74799	54	HEXAGONAL SCREW M16*35 DIN 933		-
14	74533	54	WASHER, PAIR, M16 NL16 NORDLOCK		-
15	65224	4	WHEEL (TYRE+RIM) 10 HOLE 320/60-12 TR HD		-
15	65506	4	WHEEL 320/55-15 10 HOLES, TRACTOR PROFIL		-
15	65739	4	WHEEL 26*12.00-12 TRACTOR, 10 HOLE RIM		-
15	65414	4	WHEEL 27*8.50-15 10 HOLE RIM TRACTORPROF		-
15	65958	4	WHEEL (TYRE+RIM) 400/50-15 10-HOLE		-
-	A442098	1	FILTER KIT AVANT 735		-

16.6.2023

A21724 FRONT CHASSIS, 700SER OPTIDRIVE ASSEMBLY

Front frame (1) was A21692 before serial no XXXXX1849



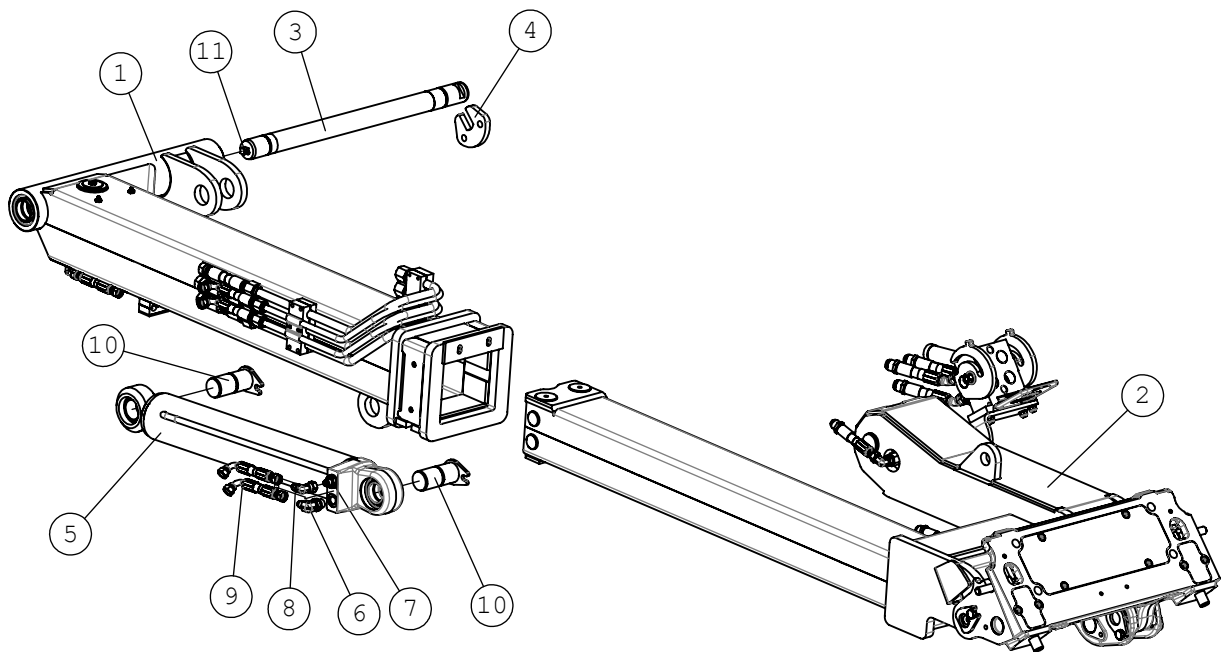
16.6.2023

A21724 FRONT CHASSIS, 700SER OPTIDRIVE ASSEMBLY

REF	PART NO	QTY	DESCRIPTION	NOTES	PAGE
1	A448124	1	FRONT FRAME 700 SERIES 11/2022		-
2	A34964	1	TELESCOPIC BOOM HD COMPLETE, 700 SERIES		8
2.1	A430736	1	SLIDE PAD KIT TELESCOPIC BOOM A34964 700		-
3	A35007	1	BOOM SELF LEVELLING, 700 SERIES		100
4	A34233	1	CONTROL VALVE, COMPLETE ASSEMBLY 700 SER		22
5	A48998	1	STEERING COLUMN		28
6	A37250	1	HYDR. HOSES, STEERING, 700 SER OPTIDRIVE		30
7	A428827	1	RUBBER BUSHING STEERING COLUMN		-
8	A440870	1	DRIVE PEDAL ASSEMBLY 700 SERIES		32
9	A422190	1	HYDR. HOSES DRIVE PEDAL 700 SERIES		34
10	A413893	1	HYDRAULIC OIL COOLER, COMPLETE ASSEMBLY		36
11	A48010	1	DIPSTICK L=230 HYDR. OIL R1 1/4"		-
12	A49825	1	HYDR. CYLINDER STEERING 50/30-172		-
12.1	65567	1	SEAL KIT, CYLINDER F60/F30		-
13	A410452	1	BOTTOM PLATE		-
14	A47655	1	PIVOT PIN F30-60		-
15	A412799	1	COVER WITH STOPPERS		-
16	65205	1	HYDR. OIL FILTER RETURN, COMPLETE		-
16.1	65227	1	HYDR. OIL FILTER CARTRIDGE, RETURN		-
16.2	A427821	1	SEAL KIT HYDRAULIC RETURN OIL FILTER		-
16.3	A430808	1	FILTER BOWL LONG, HYDR. RETURN OIL		-
17	A413262	2	BUSHING F19/F10, FLOOR RAISING, 700 SERI		-
18	64352	1	HEXAGONAL DRAIN PLUG, MAGNETIC R 1/2		-
19	75117	1	SEAL RING F26/F21*1,5		-
20	A414801	1	EDGE PLATE		-
21	A415764	1	BRACKET, FRONT RIGHT, COVER PLATE		-
22	72130	4	HEXAGONAL SCREW M8*20		-
23	75100	6	SPACER NORDLOCK M8 NL8, PAIR		-
24	73040	1	HEXAGONAL SCREW M10*20 DIN 933 ZN		-
25	74531	1	SPACER NORDLOCK M10, PAIR		-
26	71884	2	HEXAGONAL HEAD SCREW M 8*25 DIN 912 2		-

16.6.2023

A34964 TELESCOPIC BOOM HD COMPLETE, 700 SERIES



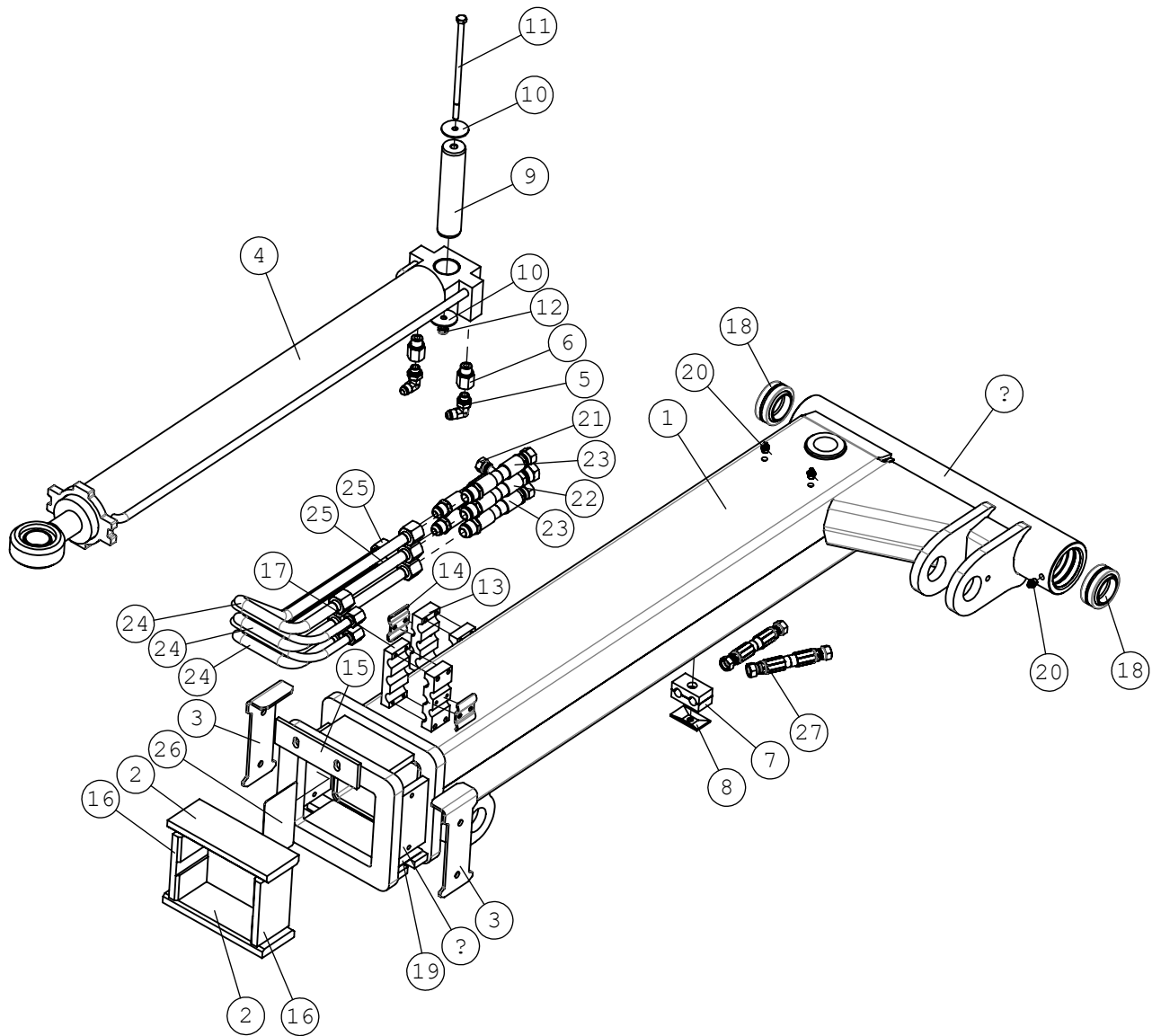
16.6.2023

A34964 TELESCOPIC BOOM HD COMPLETE, 700 SERIES

REF	PART NO	QTY	DESCRIPTION	NOTES	PAGE
1	A34965	1	OUTER BOOM HD, ASSEMBLY, 700 SERIES		10
2	A34966	1	INNER BOOM HD, ASSEMBLY, 700 SERIES		12
3	A49725	1	PIVOT PIN F40-564		-
4	A49723	1	LOCKING PLATE		-
5	A420808	1	HYDRAULIC CYLINDER F80/F40-450		-
5.1	65002	1	SEAL KIT, 80/40CYLINDER		-
5.2	64911	2	ARTICUL. BEARING GE40ES F62/40-28(22)		-
6	64044	1	ELBOW FITTING 90° C40XS10-3/8 /8		-
7	64041	1	BASIC FITTING F40XS10-3/8 /8		-
8	64043	1	ELBOW FITTING 90° C6XS10		-
9	A47635	2	HYDR. HOSE L=1720 2LW-06		-
10	A47041	2	PIVON PIN F40-90		-
11	74082	1	GREASE NIPPLE R1/8" 90 DEGREE		-
-	A430736	1	SLIDE PAD KIT TELESCOPIC BOOM A34964 700		-

16.6.2023

A34965 OUTER BOOM HD, ASSEMBLY, 700 SERIES



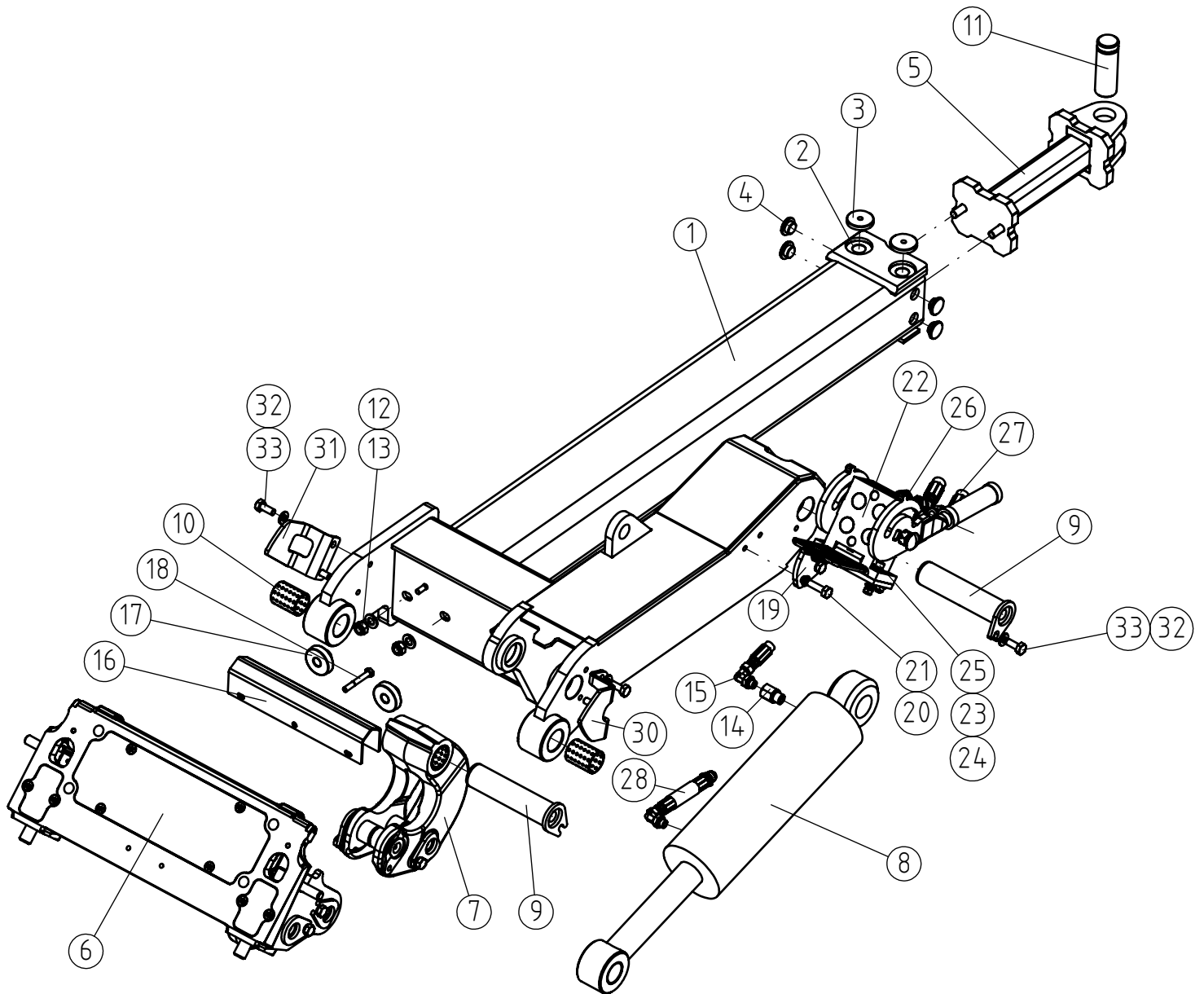
16.6.2023

A34965 OUTER BOOM HD, ASSEMBLY, 700 SERIES

REF	PART NO	QTY	DESCRIPTION	NOTES	PAGE
1	A455132	1	OUTER BOOM HD 700 SERIES		-
2	A48339	2	SLIDE PAD 15*72*194		-
3	A412833	2	COVER PLATE		-
4	A412829	1	HYDR. CYLINDER F63/F36 TELESCOPE 700SE		-
4.1	A418403	1	SEAL KIT, 63/36 CYLINDER TELEBOOM 700 SE		-
4.2	A450703	1	ARTICULATION BEARING GE35ES 55/35-25(20)		-
4.3	A442987	1	SLIDE BEARING F39/F35-30		-
5	64087	2	ELBOW FITTING 90 DEGR. /4#		-
6	64324	2	REDUCER FITTING RI 3/8"-EDX 1/4"		-
7	64886	1	PIPE CLAMP 214/14		-
8	73767	1	COVER PLATE GD2-D, PIPE CLAMP		-
9	A412867	1	PIVOT PIN F35 L=157		-
10	A48492	2	WASHER M8X40		-
11	74757	1	HEXAGONAL SCREW M8*180 DIN 931		-
12	72320	1	HEXAGONAL NUT M8 NYLOC DIN 985		-
13	A47562	1	BRACKET, HYDR.PIPE F16/F12		-
14	A47563	2	BRACKET, HYDR.PIPE F12		-
15	A48367	1	SCRAPER		-
16	A412868	2	SLIDE PAD 15X72X118		-
17	A47561	1	BRACKET, HYDR. PIPE F16		-
18	64911	2	ARTICUL. BEARING GE40ES F62/40-28(22)		-
19	A48014	1	ADJUSTMENT PLATE 1 MM, LONG		-
20	72798	3	GREASE NIPPLE R 1/8" STRAIGHT		-
21	A47638	2	HYDR. HOSE L=1610 2LW-06		-
22	A47681	1	HYDR. HOSE L=1020 1LW-08		-
23	A47639	2	HYDR. HOSE L=1100 2LW-08		-
24	A413413	3	HYDRAULIC TUBE F16		-
25	A413414	2	HYDRAULIC TUBE F12		-
26	A412971	1	ADJUSTMENT PLATE 117X72 1MM		-
27	A414606	2	HYDR. HOSE L=1400		-

16.6.2023

A34966 INNER BOOM HD, ASSEMBLY, 700 SERIES



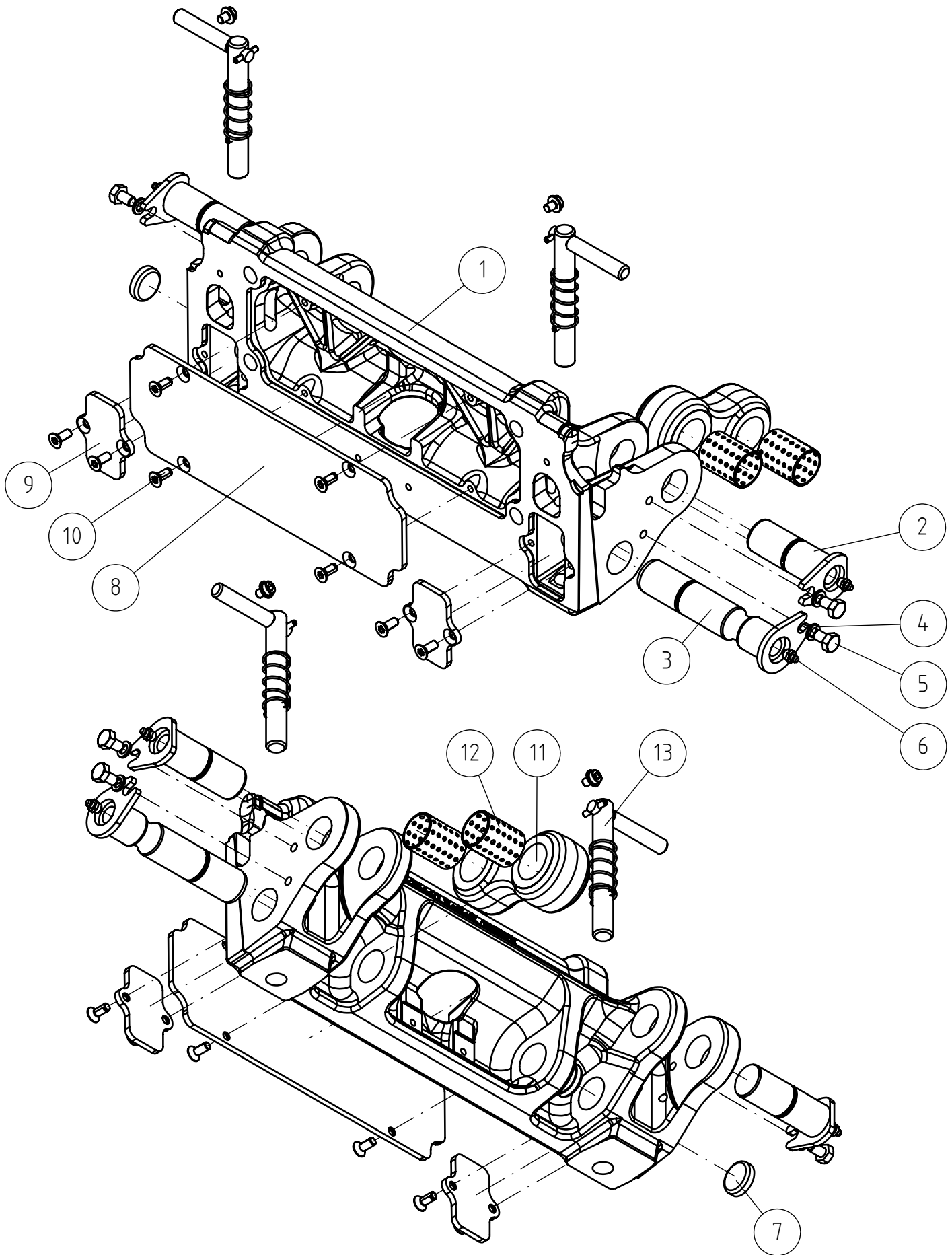
16.6.2023

A34966 INNER BOOM HD, ASSEMBLY, 700 SERIES

REF	PART NO	QTY	DESCRIPTION	NOTES	PAGE
1	A457006	1	INNER BOOM 700 SERIES		-
2	A47941	2	SLIDE PLATE		-
3	A47922	2	ROLLER, BOOM		-
4	A48343	4	ROLLER, BOOM		-
5	A34979	1	CONNECTING ROD		-
6	A436601	1	ATTACHMENT COUPLING PLATE CAST STEEL 700		14
7	A436687	1	LINKAGE PIECE "BOOMERANG" CAST STEEL		18
8	A412830	1	HYDR. CYLINDER F100/F40 TILT CYLINDE		-
8.1	A418435	1	SEAL KIT, 100/45 CYLINDER, TILT 700 SERI		-
8.2	64911	1	ARTICUL. BEARING GE40ES F62/40-28(22)		-
9	A412810	2	PIVOT PIN F40-167		-
10	64913	2	SLIDE BEARING BRM-80 F39/F35-50		-
11	A412870	1	PIVOT PIN F35 L=104		-
12	71691	2	WASHER M12 A13 DIN 125		-
13	72324	2	HEXAGONAL NUT M 12 NYLOC DIN 985		-
14	64324	1	REDUCER FITTING RI 3/8"-EDX 1/4"		-
15	64087	2	ELBOW FITTING 90 DEGR. /4#		-
16	A413816	1	SERVICE SUPPORT, LIFT CYLINDER		-
17	64188	2	FINGER SCREW R5026M8S		-
18	72139	1	HEXAGONAL SCREW M 8*60 DIN 931		-
19	A410804	1	MOUNTING BRACKET, MULTI CONNECTOR LOADER		-
20	74531	2	SPACER NORDLOCK M10, PAIR		-
21	74505	2	HEXAGONAL SCREW M10*35 DIN 933 ZN		-
22	65252	1	MULTI CONNECTOR, ON LOADER		20
23	73122	4	WASHER M8 A8,4 DIN 125 ZN		-
24	72320	4	HEXAGONAL NUT M8 NYLOC DIN 985		-
25	71884	4	HEXAGONAL HEAD SCREW M 8*25 DIN 912 2		-
26	64058	3	BASIC FITTING F40XS12-1/2		-
27	A414911	3	HYDR. HOSE L=1150 2LW-08		-
28	A414913	1	HYDR. HOSE L=1550 2LW-06		-
29	A414912	1	HYDR. HOSE L=1250 2LW-06		-
30	A430655	1	RELEASE PLATE		-
31	A432890	1	RELEASE PLATE RIGHT		-
32	75102	5	SPACER NORDLOCK M10 NL10SP, PAIR		-
33	72150	5	HEXAGONAL SCREW M10*25 DIN 933 ZN		-

16.6.2023

A436601 ATTACHMENT COUPLING PLATE CAST STEEL 700



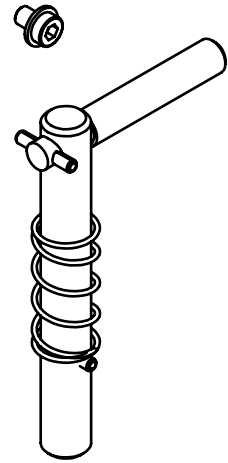
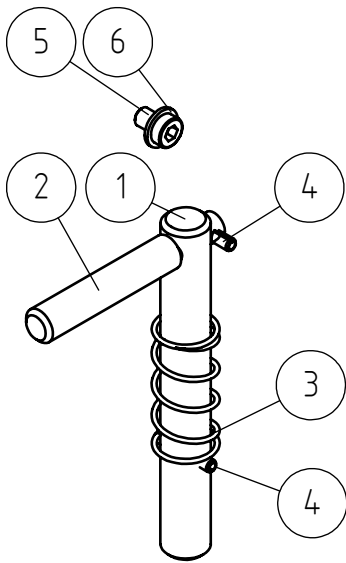
16.6.2023

A436601 ATTACHMENT COUPLING PLATE CAST STEEL 700

REF	PART NO	QTY	DESCRIPTION	NOTES	PAGE
1	A435467	1	ATTACHMENT COUPLING PLATE ADI CAST STEEL		-
2	A412814	2	PIVOT PIN F35-98		-
3	A427469	1	PIVOT PIN 35-175		-
4	74531	3	SPACER NORDLOCK M10, PAIR		-
5	72147	3	HEXAGONAL SCREW M 10*16 DIN 933		-
6	72798	3	GREASE NIPPLE R 1/8" STRAIGHT		-
7	A436582	2	SEALING PUSH-IN CAP 35MM DIN 443		-
8	A427458	1	COVERING PLATE 378X127 ATTACHM COUPL PLA		-
9	A427464	2	COVERING PLATE 87X47 ATTACHM COUPL PLATE		-
10	A441215	8	THREAD-FORMING SCREW M8*20 ISO 14581		-
11	A430007	1	LINKAGE PIECE 700/800 SERIES		-
12	64913	2	SLIDE BEARING BRM-80 F39/F35-50		-
13	A436614	1	LOCKING PIN ASSEMBLY ATTACHM COUPL PLATE		16

16.6.2023

A436614 LOCKING PIN ASSEMBLY ATTACHM COUPL PLATE



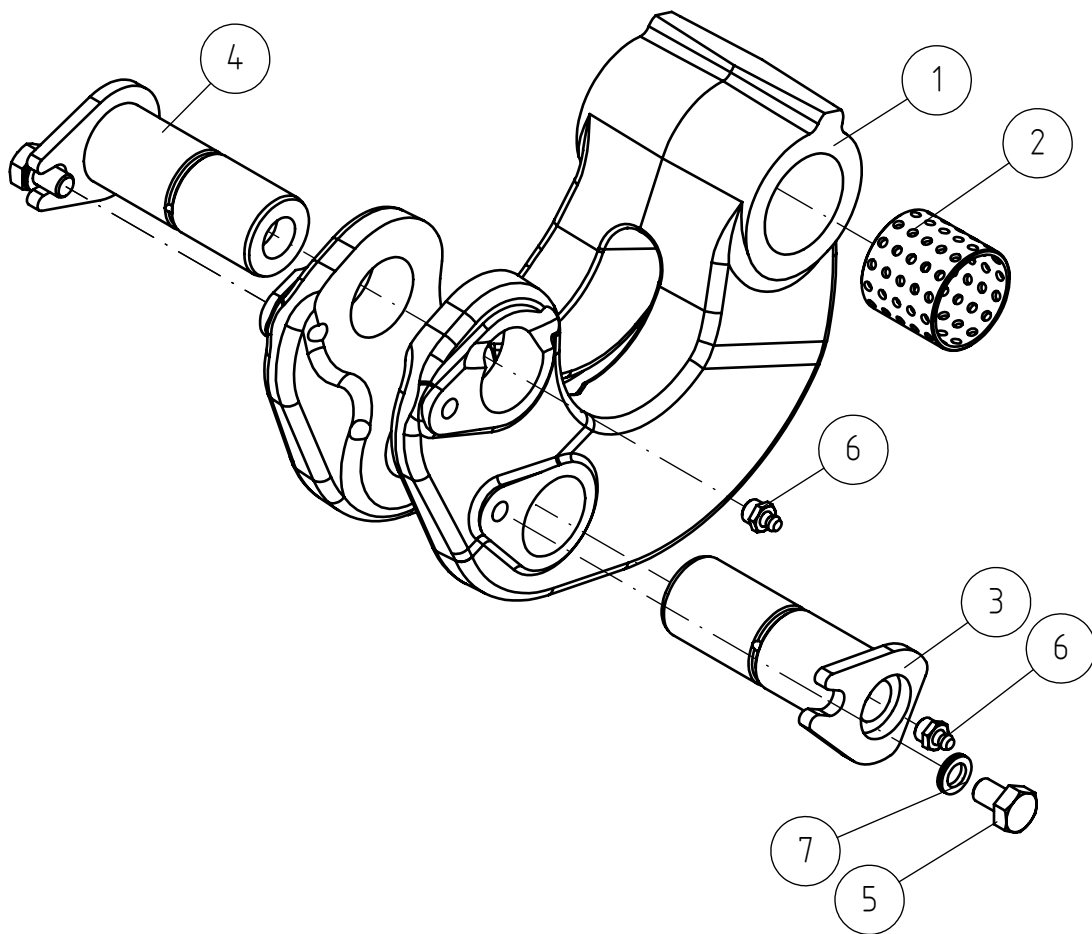
16.6.2023

A436614 LOCKING PIN ASSEMBLY ATTACHM COUPL PLATE

REF	PART NO	QTY	DESCRIPTION	NOTES	PAGE
1	A47687	2	LOCKING PIN F20		-
2	A47688	2	LATCH PIN		-
3	64138	2	COMPRESSION SPRIG DIN 2098 2*25*135		-
4	73661	4	SPRING PIN 5*30 DIN 1481		-
5	74932	2	HEXAGONAL HEAD SCREW M8*12		-
6	73122	2	WASHER M8 A8,4 DIN 125 ZN		-

16.6.2023

A436687 LINKAGE PIECE "BOOMERANG" CAST STEEL



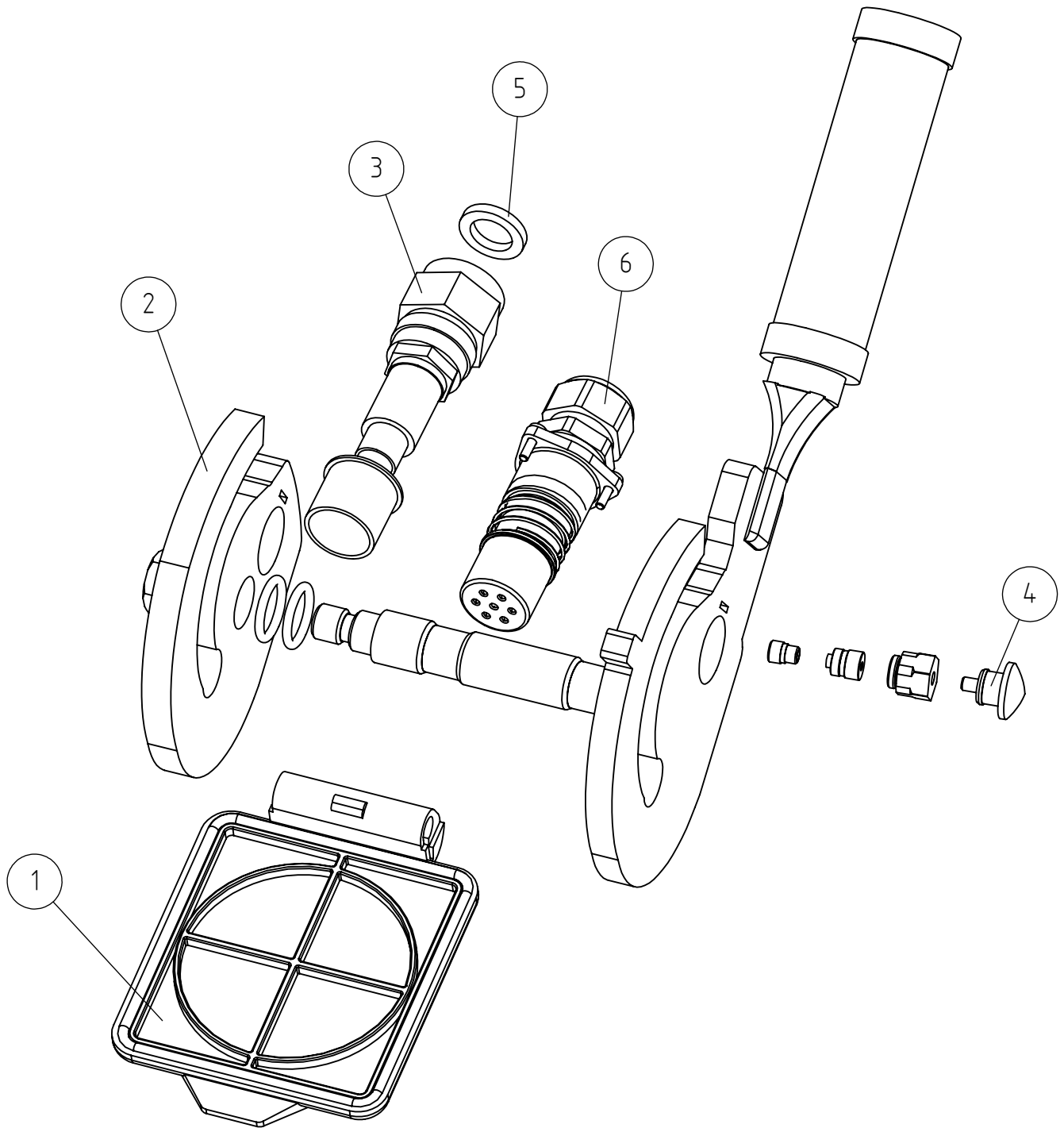
16.6.2023

A436687 LINKAGE PIECE "BOOMERANG" CAST STEEL

REF	PART NO	QTY	DESCRIPTION	NOTES	PAGE
1	A435456	1	LINKAGE PIECE "BOOMERANG" CAST STEEL		-
2	64912	2	SLIDE BEARING BRM-80 TF44/F40-40		-
3	A430579	1	PIVOT PIN 35-103		-
4	A430582	1	PIVOT PIN 35-92		-
5	72147	2	HEXAGONAL SCREW M 10*16 DIN 933		-
6	72798	2	GREASE NIPPLE R 1/8" STRAIGHT		-
7	74531	2	SPACER NORDLOCK M10, PAIR		-

16.6.2023

65252 MULTI CONNECTOR, ON LOADER



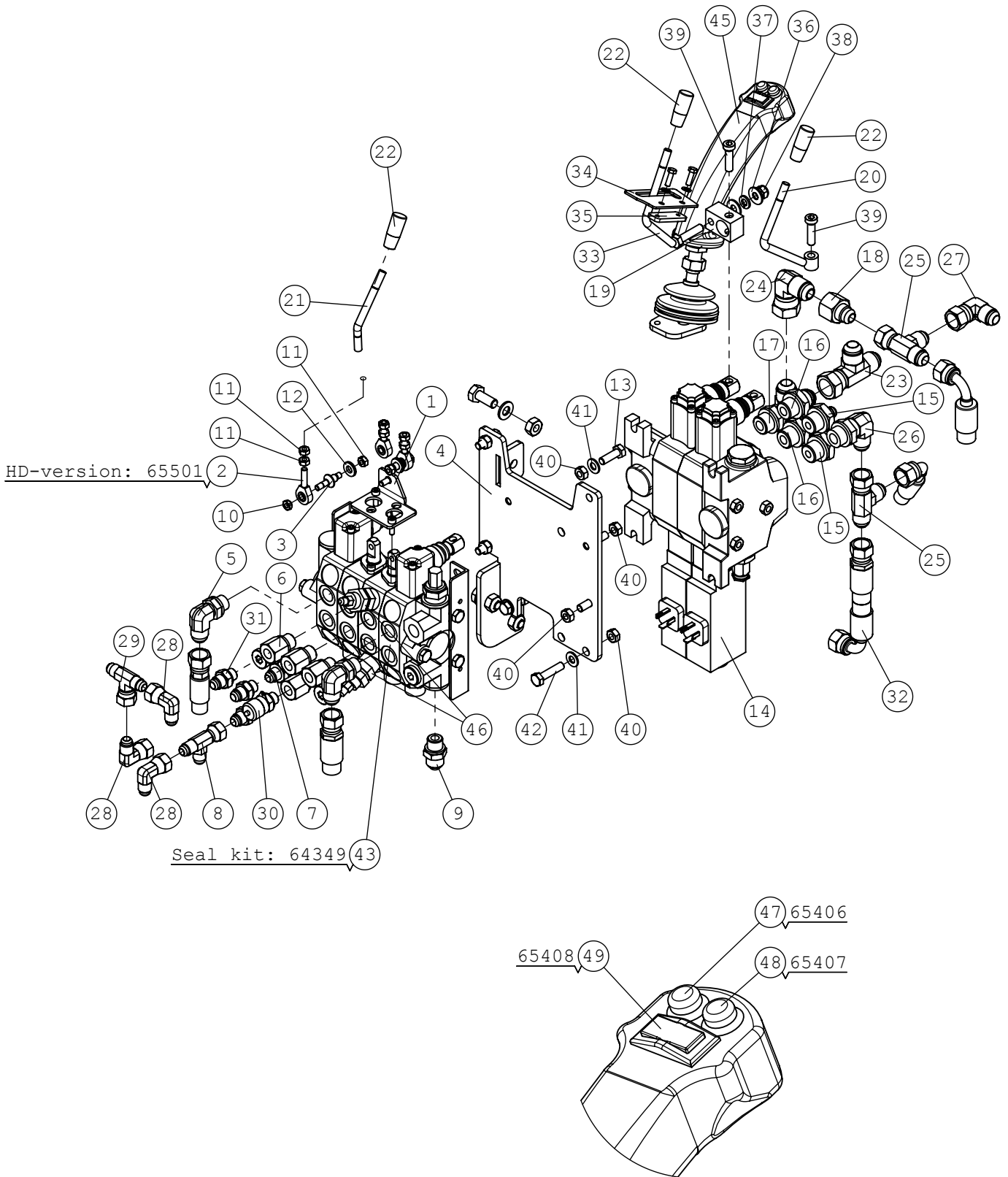
16.6.2023

65252 MULTI CONNECTOR, ON LOADER

REF	PART NO	QTY	DESCRIPTION	NOTES	PAGE
1	65882	1	CAP PLATE, KIT, MULTI CONNECTOR		-
2	65884	1	HANDLE, KIT, MULTI CONNECTOR ON LOADER		-
3	65881	1	QUICK COUPLER, ON MULTI CONNECTOR		-
4	65883	1	SAFETY BUTTON, KIT, MULTI CONNECTOR		-
5	65880	1	SEAL RING, MULTI CONNECTOR SK MF 12		-
6	75035	1	ELECTRIC CONNECTOR FEMININE, FASTER		-

16.6.2023

A34233 CONTROL VALVE, COMPLETE ASSEMBLY 700 SER



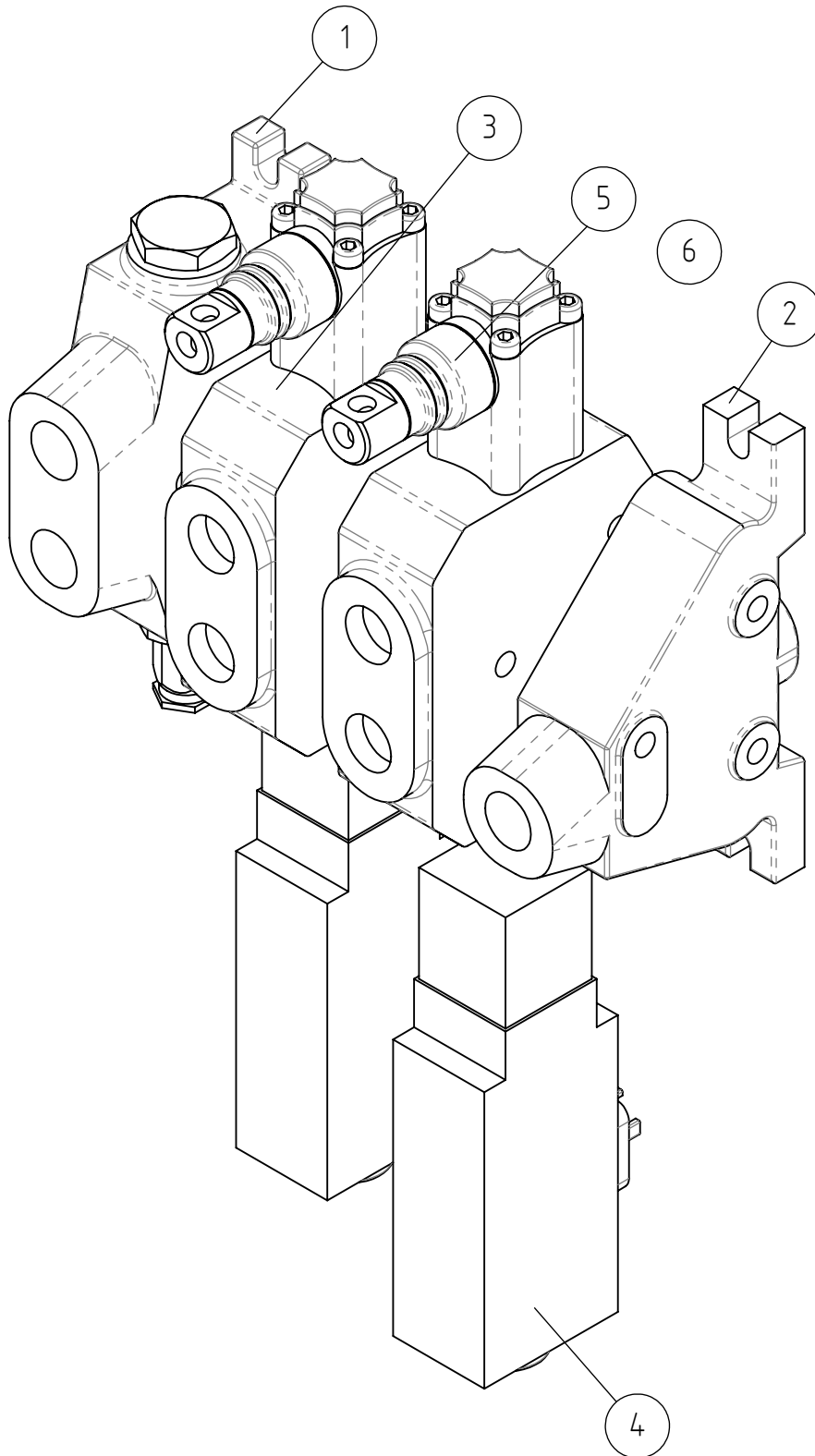
16.6.2023

A34233 CONTROL VALVE, COMPLETE ASSEMBLY 700 SER

REF	PART NO	QTY	DESCRIPTION	NOTES	PAGE
1	A42838	1	BRACKET, LINKAGE CONTROL LEVER		-
2	63690	3	ROD END BEARING ASAHI JAM 6		-
3	A41821	2	PIN, CONTROL LEVERS		-
4	A47448	1	MOUNTING PLATE, CONTROL VALVE		-
5	64068	2	ELBOW FITTING 90 DEGR. C40XS12-3/8 /8		-
6	64324	4	REDUCER FITTING RI 3/8"-EDX 1/4"		-
7	64041	1	BASIC FITTING F40XS10-3/8 /8		-
8	64078	1	L-FITTING BODY R6XS10		-
9	64042	1	BASIC FITTING F40XS12-3/8 /8		-
10	A41822	2	LEVERAGE NUT M 6		-
11	72317	8	HEXAGONAL NUT M6 DIN 934		-
12	63944	2	WASHER, PAIR, NORD-LOCK M8		-
13	72132	3	HEXAGONAL SCREW M 8*25 DIN 933 ZN		-
14	64928	1	DIRECTIONAL VALVE HC-D3M/2		24
14.1	A431517	1	SEAL KIT CONTROL VALVE 64928		-
15	64040	2	BASIC FITTING F40XS10-1/2 /2		-
16	64058	2	BASIC FITTING F40XS12-1/2		-
17	64910	1	L FITTING R40XS16-1/2		-
18	64909	1	REDUCER FITTING TRTXS16-12		-
19	A47725	1	MOUNTING PIECE, CROSS, CONTROL LEVERS		-
20	A47727	1	CONTROL LEVER, TELESCOPIC BOOM		-
21	A48252	1	CONTROL LEVER		-
22	74761	3	KNOB, CONTROL LEVER		-
23	64303	1	L FITTING R6XS16		-
24	64306	1	ELBOW FITTING 90 DEGR. C6XS16		-
25	64050	2	L-FITTING BODY R6XS12		-
26	64045	1	ELBOW FITTING 90° C40XS12-1/2 /2		-
27	64134	1	ELBOW FITTING 90 DEGR. C6XS12		-
28	64043	3	ELBOW FITTING 90° C6XS10		-
29	64070	1	T FITTING S6XS10		-
30	64196	1	MANOMETER FITTING M16*2		-
31	64059	3	BASIC FITTING F40XS10-1/4		-
32	A47641	1	HYDR. HOSE L=1570 R2AT-08 JIC12-JIC12 90		-
33	A48357	1	CONTROL LEVER AUXILIARY HYDRAULICS		-
34	A48070	1	LOCKING PLATE, CONTROL LEVER		-
35	A48360	1	LOCKING PIECE		-
36	74525	2	WASHER M8 8,4*20*1,25 ZN		-
37	73962	1	WASHER M 8 DIN 127		-
38	72320	1	HEXAGONAL NUT M8 NYLOC DIN 985		-
39	73100	2	HEXAGONAL HEAD SCREW M8*30 DIN 912 2		-
40	72319	9	HEXAGONAL NUT M8 DIN 934		-
41	73122	5	WASHER M8 A8,4 DIN 125 ZN		-
42	73443	2	HEXAGONAL SCREW M8*35		-
43	65187	1	CONTROL VALVE HI HDS 11/4-225 AVANT 700		26
44	A33332	1	WIRE HARNESS JOYSTICK 600 SERIES		-
45	A410998	1	JOYSTICK 8 FUNCTIONS ASSEMBLY		-
45.1	65406	1	PUSHBUTTON, RED, AUX. HYDR. JOYSTICK		-
45.2	65407	1	PUSHBUTTON, BLUE, JOYSTICK, AUX. HYDR.		-
45.3	65408	1	ROCKER SWITCH, BLACK, JOYSTICK		-
46	64276	2	SHOCK & ANTI-CAV. VALVE HDS10 ADJUSTABLE		-

16.6.2023

64928 DIRECTIONAL VALVE HC-D3M/2



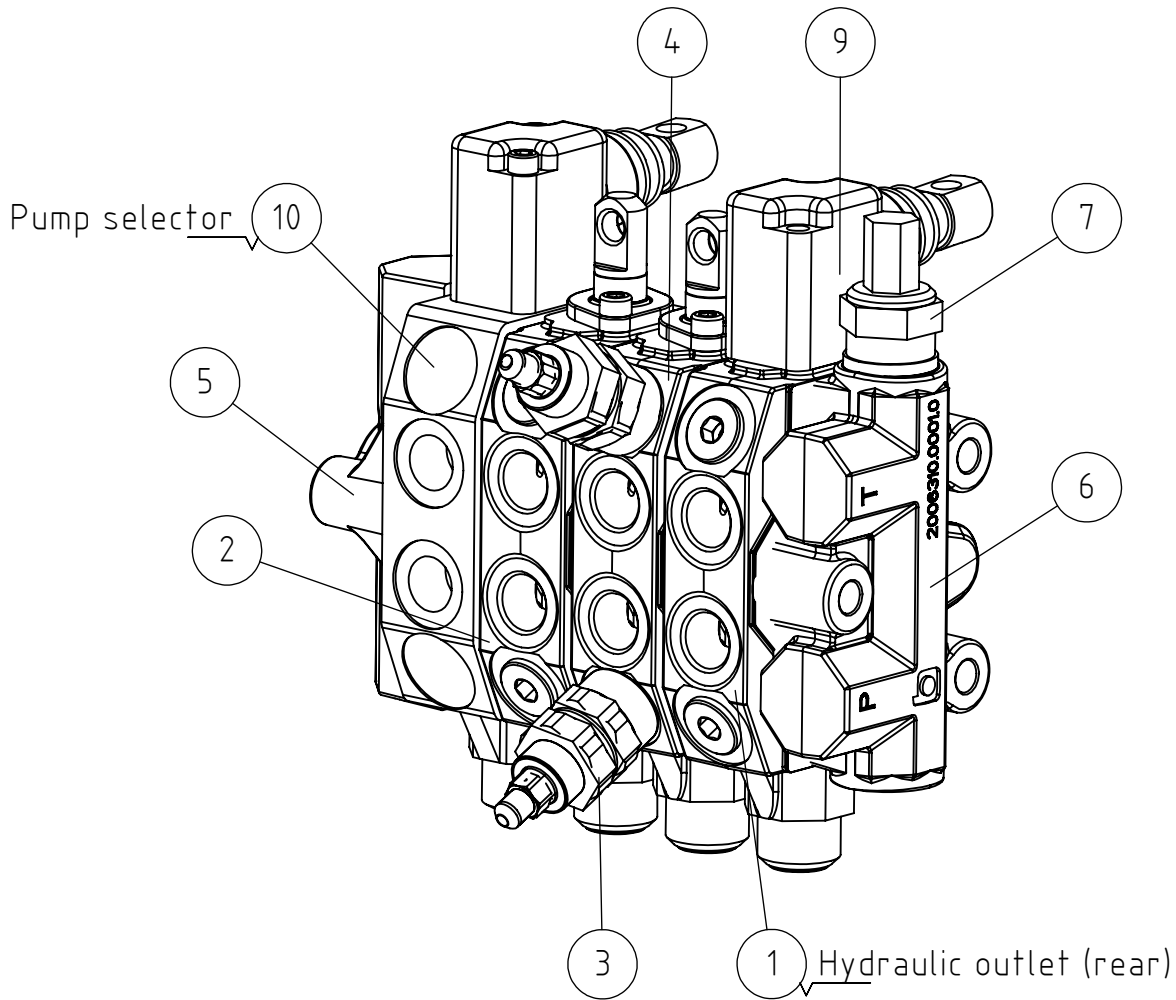
16.6.2023

64928 DIRECTIONAL VALVE HC-D3M/2

REF	PART NO	QTY	DESCRIPTION	NOTES	PAGE
1	A450688	1	VALVE SECTION FEED CONTROL VALVE 64928		-
2	A450692	1	VALVE SECTION TANK LINE CONTROL VALVE		-
3	A450693	1	VALVE SECTION AUX. HYDR. / TELEBOOM		-
4	A443891	1	SOLENOID + TUBE CONTROL VALVE 64928		-
5	A430735	1	PROTECTIVE RUBBER CONTROL LEVER		-
6	A431517	1	SEAL KIT CONTROL VALVE 64928		-
-	A431517	1	SEAL KIT CONTROL VALVE 64928		-

16.6.2023

65187 CONTROL VALVE HI HDS 11/4-225 AVANT 700



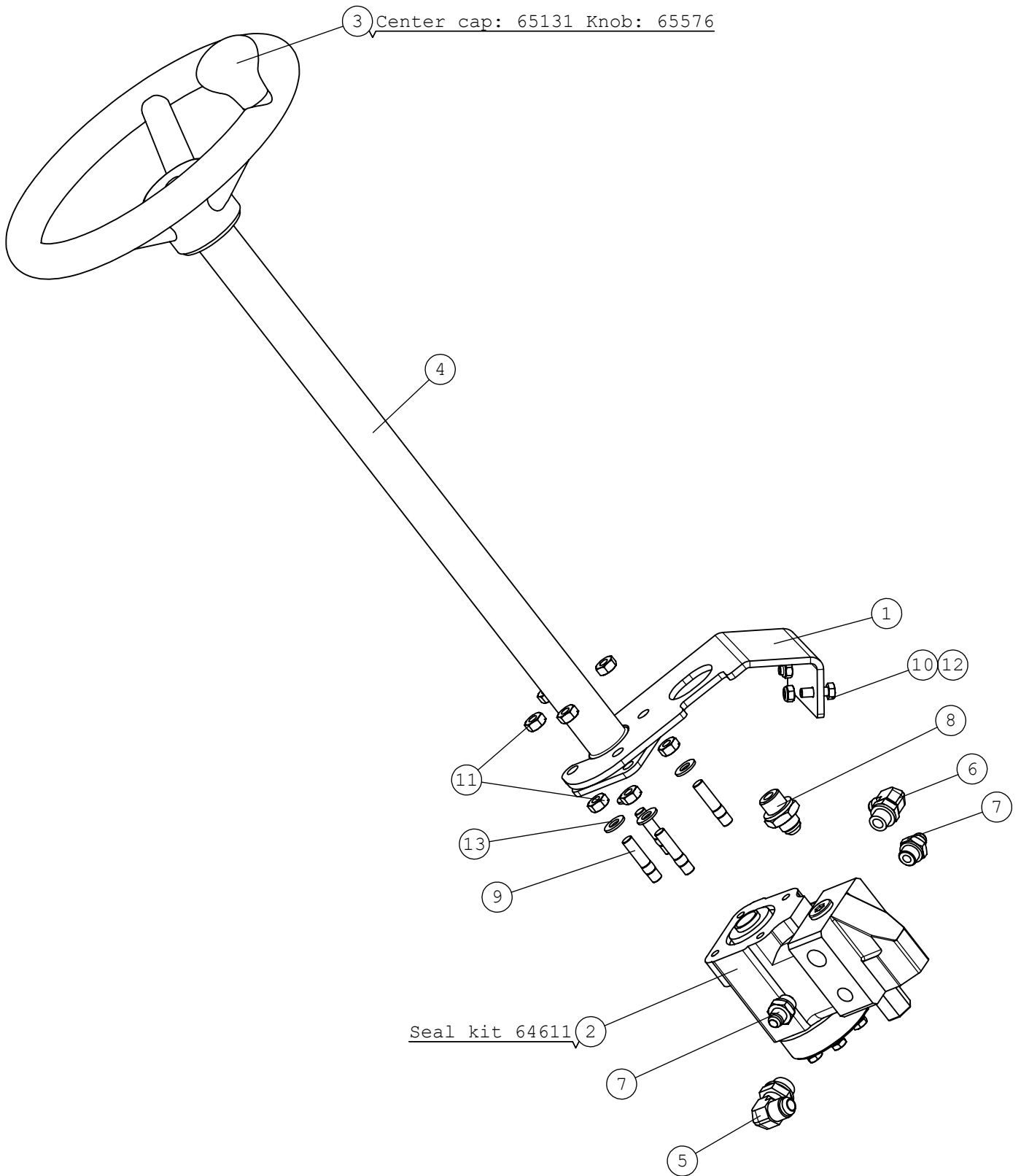
16.6.2023

65187 CONTROL VALVE HI HDS 11/4-225 AVANT 700

REF	PART NO	QTY	DESCRIPTION	NOTES	PAGE
1	A450758	1	VALVE SEGMENT TELESCOPE / REAR AUX.		-
2	A450753	1	VALVE SEGMENT LIFT CYLINDER		-
3	64276	2	SHOCK & ANTI-CAV. VALVE HDS10 ADJUSTABLE		-
4	64710	1	VALVE SEGMENT, TILT, WITH SHOCK 500 SERI		-
5	A450751	1	VALVE SEGMENT HDS11 END SEGMENT		-
6	A450750	1	VALVE SEGMENT MAIN PRESSURE RELIEF		-
7	A431043	1	PRESSURE RELIEF VALVE CARTRIDGE HDS11/15		-
8	64349	1	SEAL KIT, CONTROL VALVE SECTION HDS10/11		-
9	65524	1	LEVER MOUNTING BRACKET CONTR VALVE HDS11		-
10	A451387	1	VALVE SEGMENT PUMP SELECTION HDS11		-

16.6.2023

A48998 STEERING COLUMN



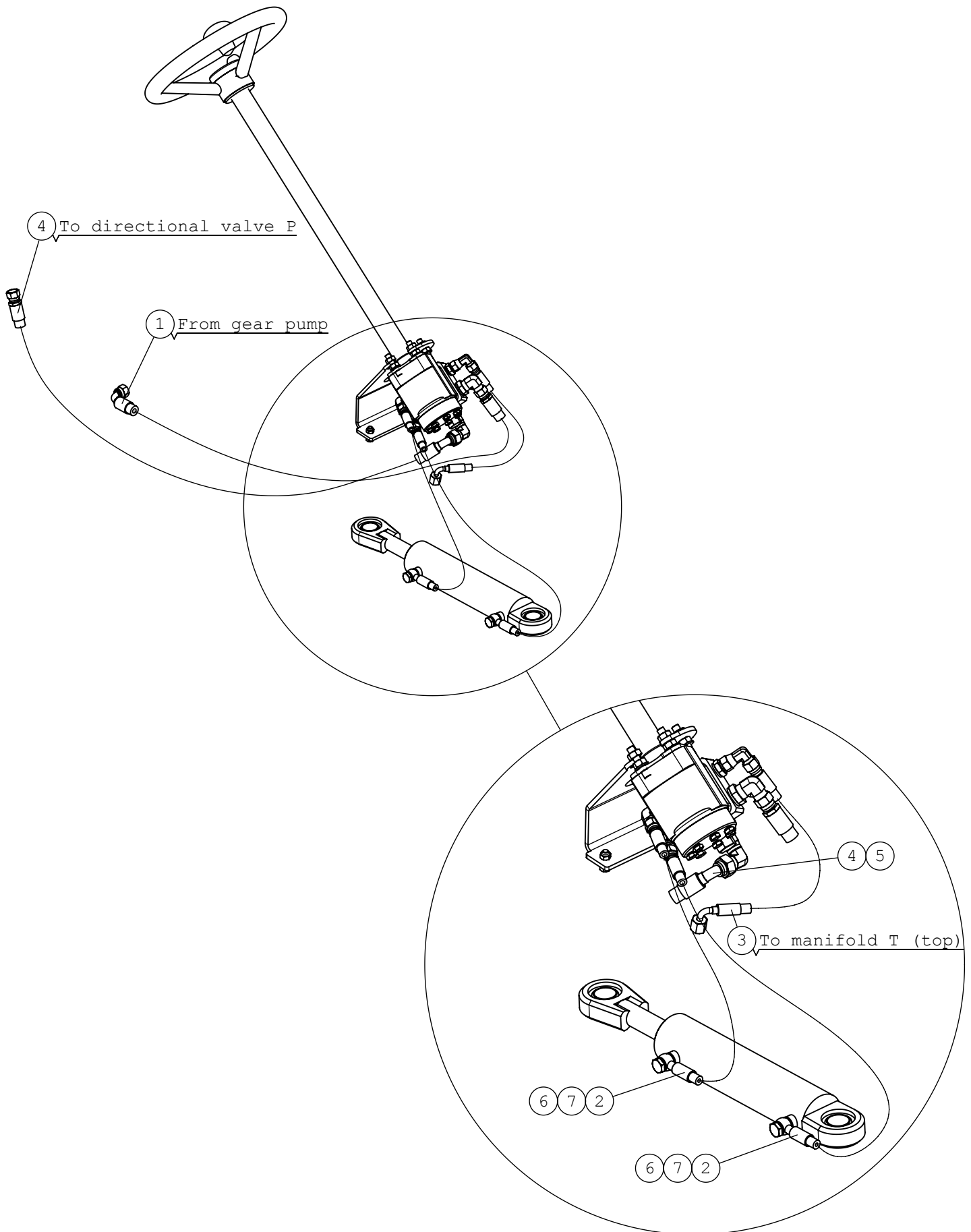
16.6.2023

A48998 STEERING COLUMN

REF	PART NO	QTY	DESCRIPTION	NOTES	PAGE
1	A412915	1	BRACKET, ORBITROL		-
2	64178	1	CONTROL BLOCK M+S HKUS 80/5-140+PRDD80/7		-
2.1	A430819	1	HEXAGONAL HEAD SCREW M10*1*45 ORBITROL		-
2.2	64611	1	SEAL KIT 41 5137 0130 M+S HKUS ORBITROL		-
2.3	64612	1	SEAL KIT, PRIORITY VALVE / ORBITROL M+S		-
3	65076	1	STEERING WHEEL "AVANT" F320		-
3.1	65131	1	CENTER CAP, STEERING WHEEL		-
3.2	65576	1	KNOB, STEERING WHEEL, COBO 0034.1130		-
4	66233	1	STEERING WHEEL ROD M+S KK650 - I		-
5	64045	1	ELBOW FITTING 90° C40XS12-1/2 /2		-
6	64044	1	ELBOW FITTING 90° C40XS10-3/8 /8		-
7	64041	2	BASIC FITTING F40XS10-3/8 /8		-
8	64058	1	BASIC FITTING F40XS12-1/2		-
9	74587	4	STUD M10* 35 DIN 939		-
10	72132	2	HEXAGONAL SCREW M 8*25 DIN 933 ZN		-
11	72321	8	HEXAGONAL NUT M10 DIN 934		-
12	72320	2	HEXAGONAL NUT M8 NYLOC DIN 985		-
13	73121	4	WASHER M10 A10,5 DIN 125 ZN		-

16.6.2023

A37250 HYDR. HOSES, STEERING, 700 SER OPTIDRIVE

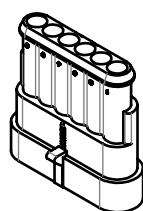
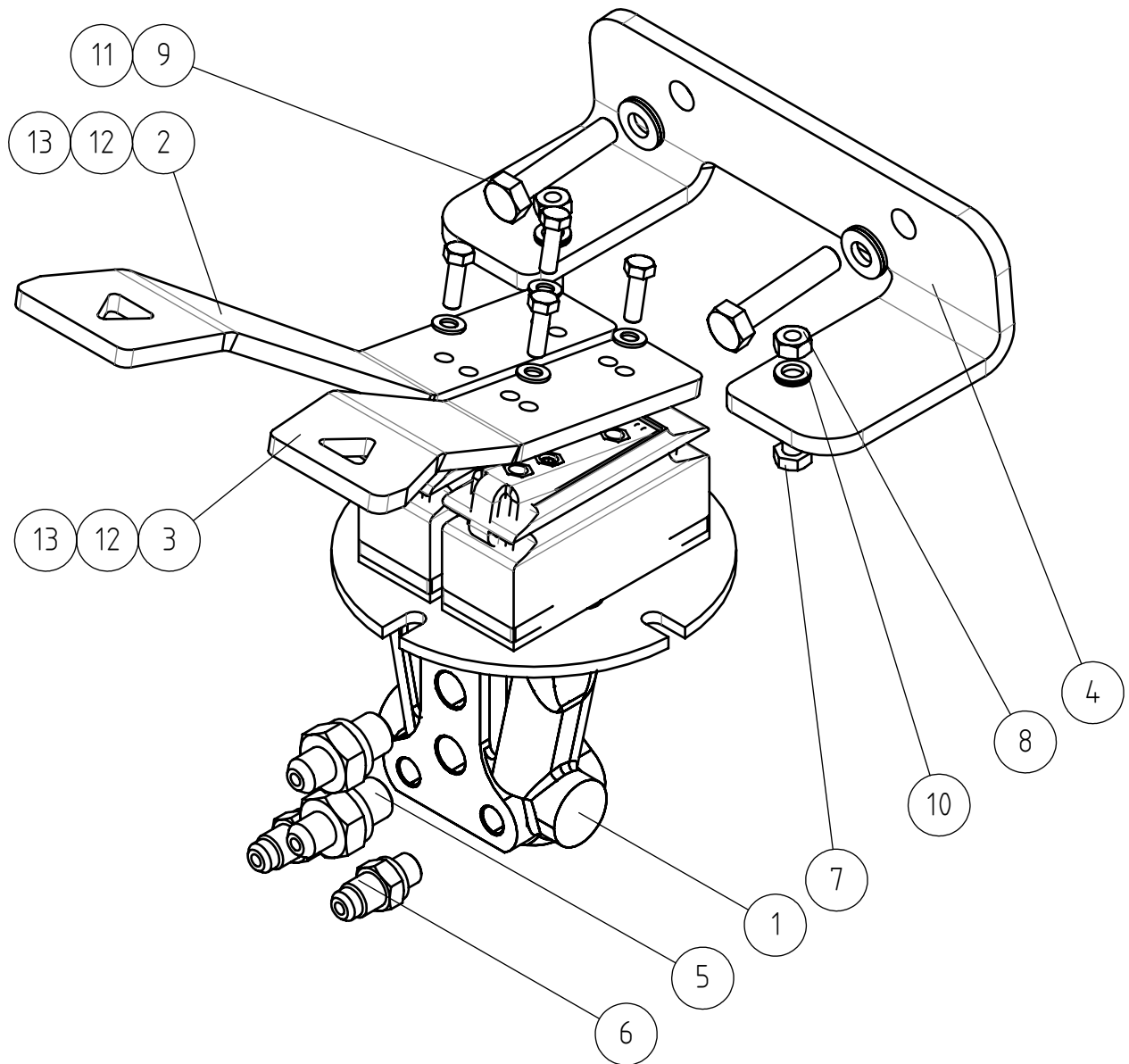


16.6.2023

A37250 HYDR. HOSES, STEERING, 700 SER OPTIDRIVE

REF	PART NO	QTY	DESCRIPTION	NOTES	PAGE
1	A48210	1	HYDR. HOSE L=1110		-
2	A414362	2	HYDR. HOSE L=960		-
3	A410017	1	HYDR. HOSE L=400		-
4	A422617	1	HYDR. HOSE L=1240		-
5	64134	1	ELBOW FITTING 90 DEGR. C6XS12		-
6	73757	4	USIT COMPRESSION R1/4"		-
7	64557	2	BANJO BOLT R 1/4"		-

A440870 DRIVE PEDAL ASSEMBLY 700 SERIES

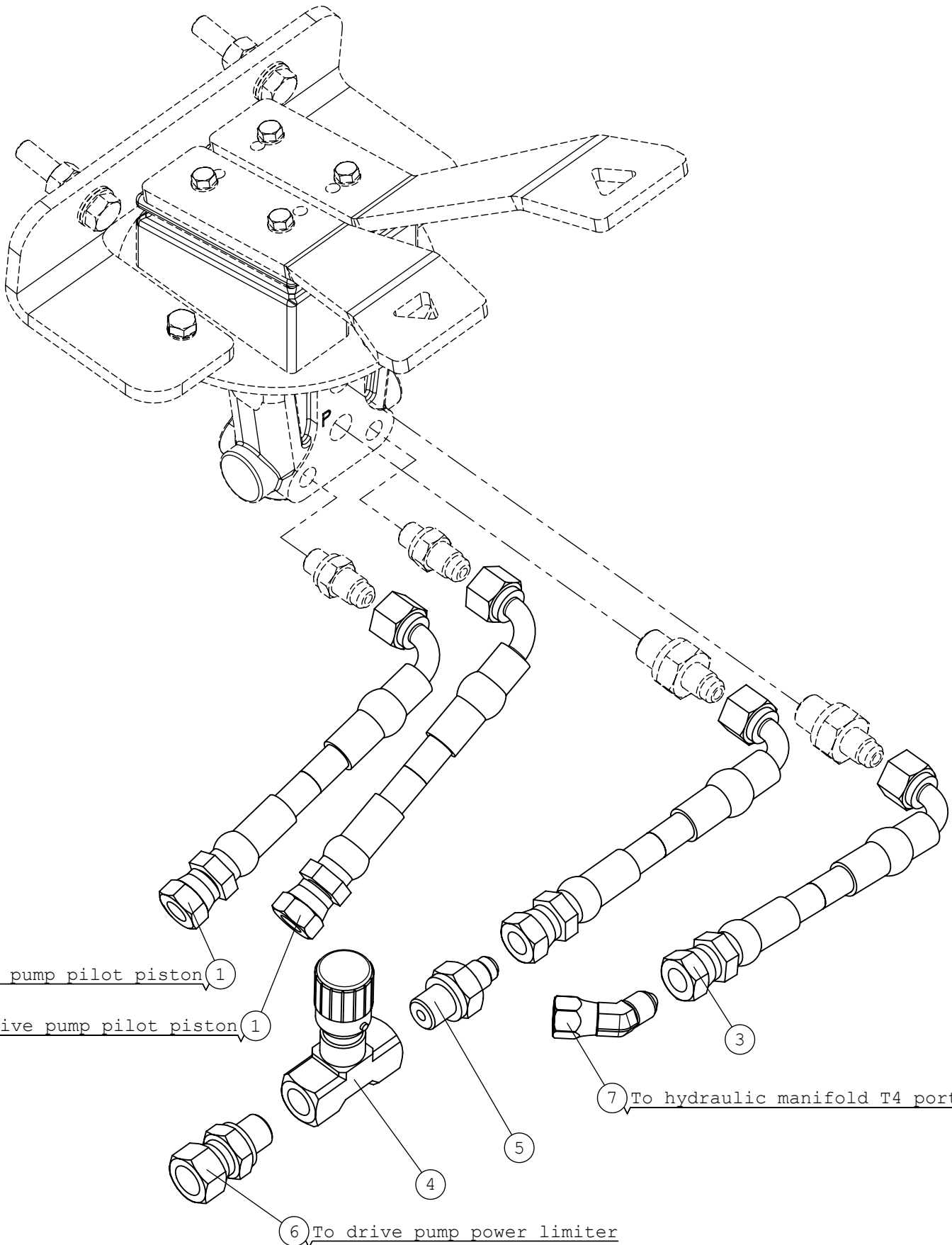


16.6.2023

A440870 DRIVE PEDAL ASSEMBLY 700 SERIES

REF	PART NO	QTY	DESCRIPTION	NOTES	PAGE
1	A432973	1	HYDRAULIC PEDALS 2-16BAR MICROSWITCH 5A		-
1.1	A451022	2	PROTECTIVE RUBBER DRIVE PEDALS		-
1.2	A445449	2	MICROSWITCH 5A WITH WIRE		-
2	A47550	1	DRIVE PEDAL, LEFT		-
3	A47551	1	DRIVE PEDAL, RIGHT		-
4	A47247	1	BRACKET, DRIVE PEDAL		-
5	64678	2	BASIC FITTING F40XS6-1/4"		-
6	64793	2	BASIC FITTING F40XS6-1/8"		-
7	72118	2	HEXAGONAL SCREW M6*20 DIN 933		-
8	72317	2	HEXAGONAL NUT M6 DIN 934		-
9	73222	2	HEXAGONAL SCREW M8*40 DIN 933		-
10	74530	2	WASHER NORDLOCK NL6		-
11	63944	2	WASHER, PAIR, NORD-LOCK M8		-
12	72110	4	HEX. SCREW M5*16 DIN 933		-
13	74448	4	WASHER M5 A5,3 DIN 125 ZN		-

A422190 HYDR. HOSES DRIVE PEDAL 700 SERIES



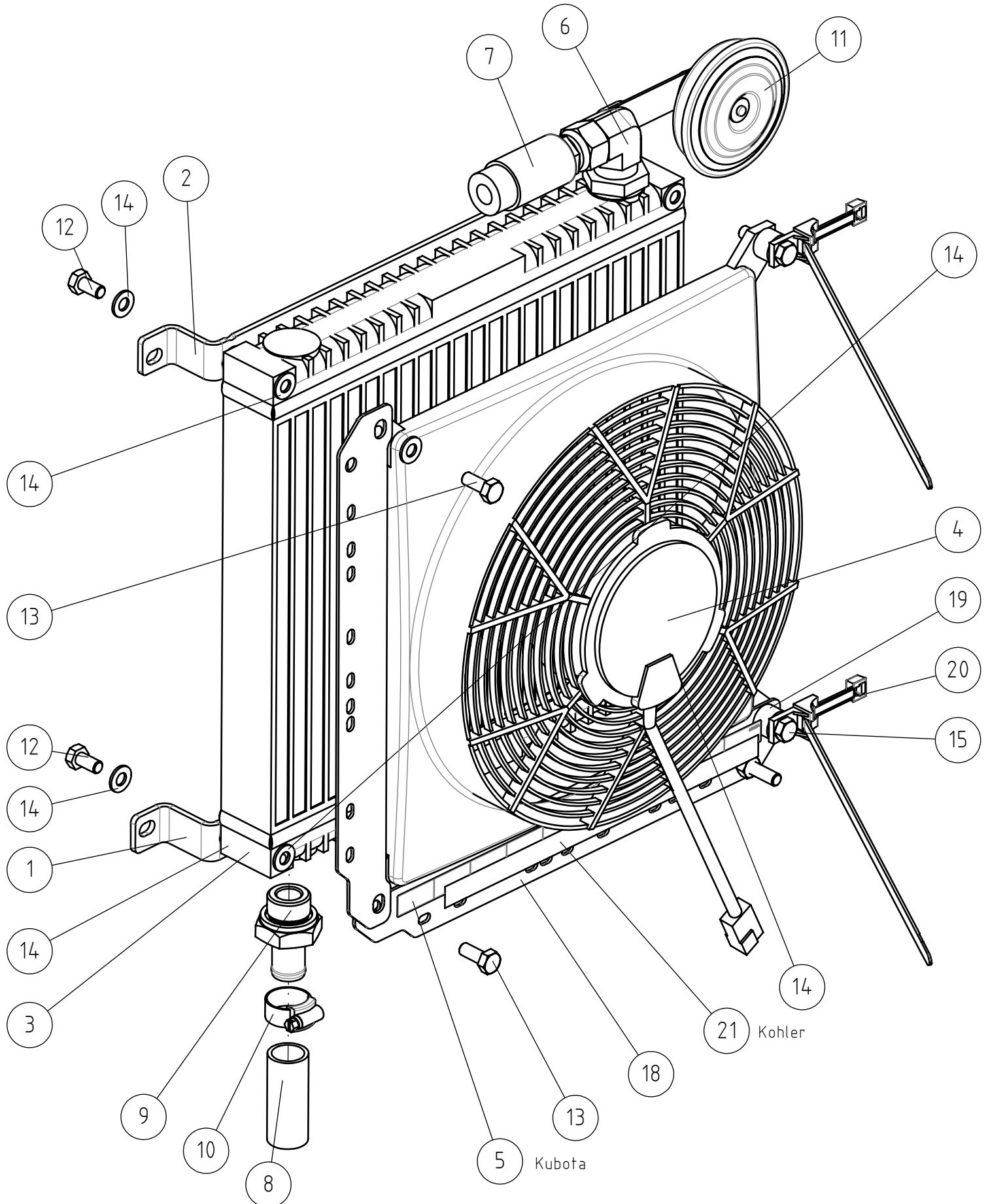
16.6.2023

A422190 HYDR. HOSES DRIVE PEDAL 700 SERIES

REF	PART NO	QTY	DESCRIPTION	NOTES	PAGE
1	A422164	2	HYDR. HOSE L=1240		-
2	A410274	1	HYDR. HOSE L=1120		-
3	A47643	1	HYDR. HOSE L=430 TYPE 087-3/16" JIC6-		-
4	63879	1	CHECK VALVE 9N400S R1/4"-R1/4"		-
5	64678	1	BASIC FITTING F40XS6-1/4"		-
6	64060	1	CONNECTOR NIPPLE F64XS10-1/4		-
7	65587	1	ELBOW FITTING 45° UNF 7/16" JIC		-

16.6.2023

A413893 HYDRAULIC OIL COOLER, COMPLETE ASSEMBLY



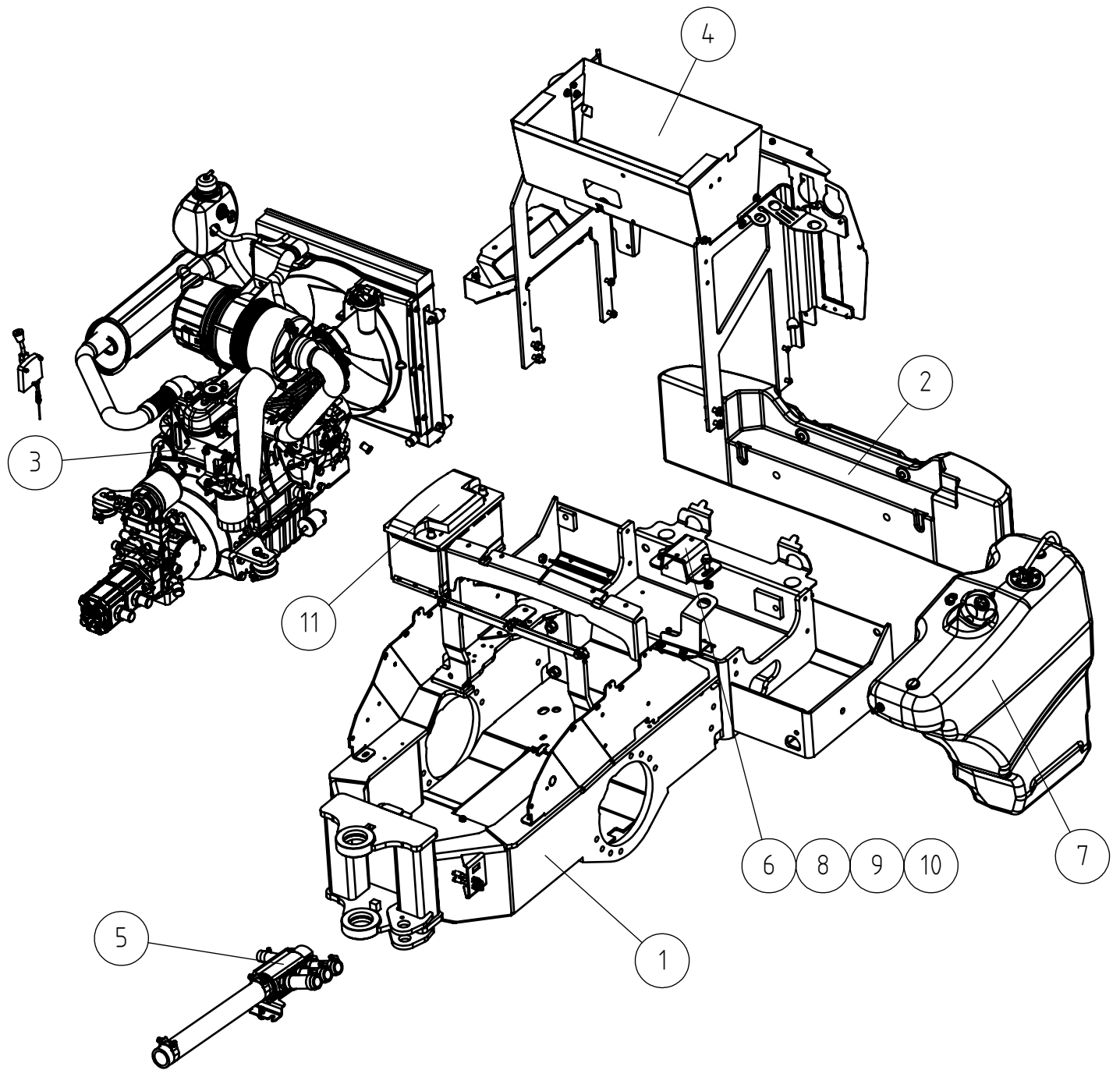
16.6.2023

A413893 HYDRAULIC OIL COOLER, COMPLETE ASSEMBLY

REF	PART NO	QTY	DESCRIPTION	NOTES	PAGE
1	A47768	1	BRACKET, OIL COOLER, LOWER		-
2	A436513	1	MOUNTING BRACKET OIL COOLER, ADJUSTABLE		-
3	64934	1	OIL COOLER CELL ASA 350*350*45		-
4	65568	1	FAN, HYDRAULIC OIL COOLER COMEX F48-		-
5	A413994	1	DECAL, RELAYS		-
6	64693	1	ELBOW FITTING 90 DEGR. C40XS16-3/4"		-
7	A47682	1	HYDR. HOSE L=280 1LW-10 JIC16-JIC16 90		-
8	A49182	1	INLET HOSE D=20 L=550		-
9	66427	1	HOSE BARB R3/4"UK - 20MM		-
10	73530	1	HOSE CLAMP 22-32 MM		-
11	64157	1	SIGNAL HORN COMPLETE		-
12	73039	4	HEXAGONAL SCREW M 8*16 DIN 933 ZN		-
13	72130	2	HEXAGONAL SCREW M8*20		-
14	73122	13	WASHER M8 A8,4 DIN 125 ZN		-
15	73443	2	HEXAGONAL SCREW M8*35		-
16	72319	1	HEXAGONAL NUT M8 DIN 934		-
17	72133	1	HEXAGONAL SCREW M8*30 DIN 933		-
18	A440802	2	RELAY MOUNTING RAIL FOR MINI AND MICRO		-
19	A413262	2	BUSHING F19/F10, FLOOR RAISING, 700 SERI		-
20	A442641	2	CABLE TIE 7,6*390 M8 BLACK		-
21	A440983	1	DECAL, RELAY MOUNTING RAIL		-

16.6.2023

A439071 REAR CHASSIS, 735, ASSEMBLY



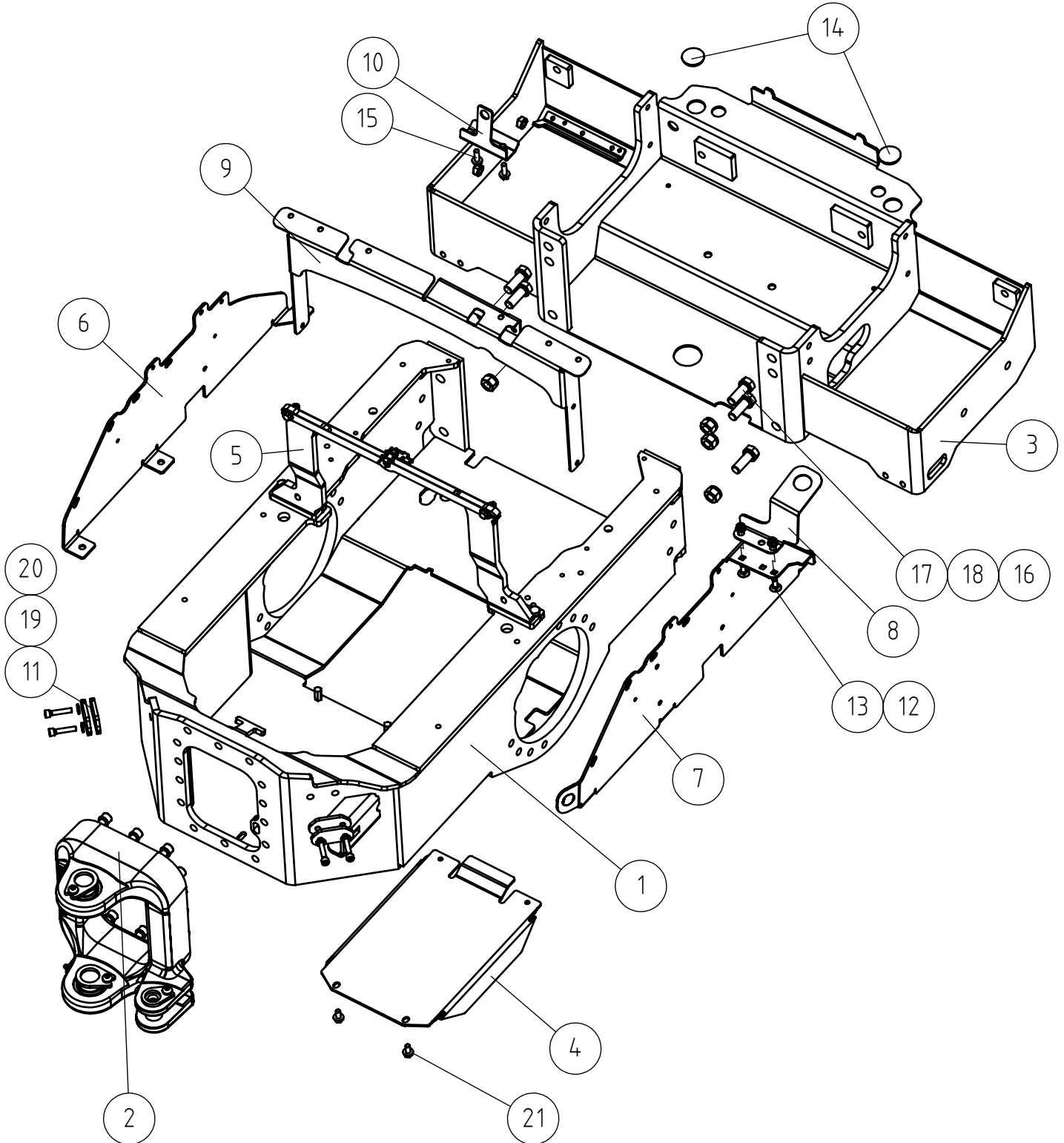
16.6.2023

A439071 REAR CHASSIS, 735, ASSEMBLY

REF	PART NO	QTY	DESCRIPTION	NOTES	PAGE
1	A441337	1	REAR CHASSIS ASSEMBLY 700 SERIES		40
2	A36913	1	REAR WEIGHT (BUMPER) 168 KG, ASSEMBLY		46
3	A439265	1	ENGINE V1505 STAGE V 735 ASSEMBLY		48
4	A439111	1	ENGINE BAY KUBOTA STG5 T4F 700-800		62
5	A436989	1	HYDRAULIC MANIFOLD & HOSES 800 SERIES		64
6	A433511	1	MOUNTING BRACKET ENGINE MOUNT V1505 STG5		-
7	A436129	1	FUEL TANK ASSEMBLY 66L		66
8	A430999	2	WASHER, PAIR, M12 NORDLOCK		-
9	72167	2	HEXAGONAL SCREW M12*30 DIN 933		-
10	72324	2	HEXAGONAL NUT M 12 NYLOC DIN 985		-
11	A438875	1	BATTERY 12V 77AH, 760A		-

16.6.2023

A441337 REAR CHASSIS ASSEMBLY 700 SERIES



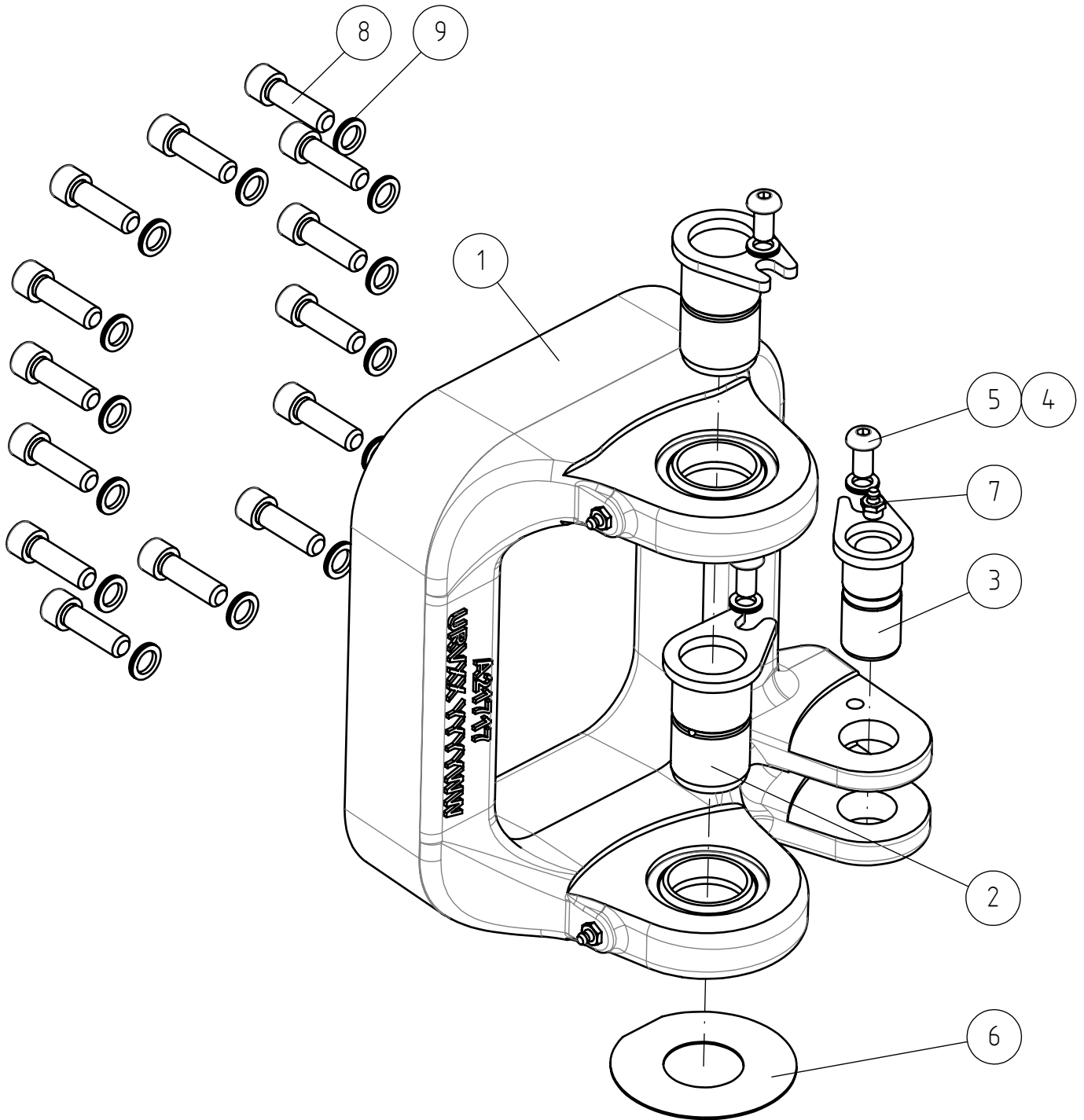
16.6.2023

A441337 REAR CHASSIS ASSEMBLY 700 SERIES

REF	PART NO	QTY	DESCRIPTION	NOTES	PAGE
1	A430885	1	BACK FRAME, FRONT PART 700 SERIES		-
2	A37449	1	ARTICULATION JOINT ASSEMBL REAR FRAME		42
3	A446037	1	REAR FRAME, MIDDLE PART 700/800 SERIES		-
4	A446658	1	SERVICE HATCH 400-700 SERIES		-
5	A415984	1	LOAD SENSOR SYSTEM, COMPLETE ASSEMBLY		44
6	A437435	1	SIDE PLATE RIGHT REAR FRAME 800 STAGE 5		-
7	A437437	1	SIDE PLATE LEFT REAR FRAME 800 STAGE 5		-
8	A437442	1	BRACKET FUEL TANK STAGE 5 700-800 SER		-
9	A437460	1	BRACKET COVER PLATES REAR STG5 700-800		-
10	A437653	1	BRACKET, BATTERY 700-800 SER		-
11	A442049	4	STOP PLATE STEERING		-
12	74782	2	HEXAGONAL NUT M8 WITH FLANGE		-
13	74836	2	CARRIAGE BOLT M8*20		-
14	65944	2	RUBBER PLUG F40/F32-12 S=5		-
15	A429202	2	HEXAGONAL SERRATED SCREW M8*25 WITH FLAN		-
16	74533	12	WASHER, PAIR, M16 NL16 NORDLOCK		-
17	A439220	6	HEXAGONAL SCREW M16*45 10.9 DIN 933		-
18	A439252	6	HEXAGONAL NUT M16 10.9 DIN 934		-
19	63944	4	WASHER, PAIR, NORD-LOCK M8		-
20	74918	4	HEXAGONAL HEAD SCREW M8*40 DIN 912		-
21	A429200	2	HEXAGONAL SERRATED SCREW M8*16 WITH FLAN		-

16.6.2023

A37449 ARTICULATION JOINT ASSEMBL REAR FRAME



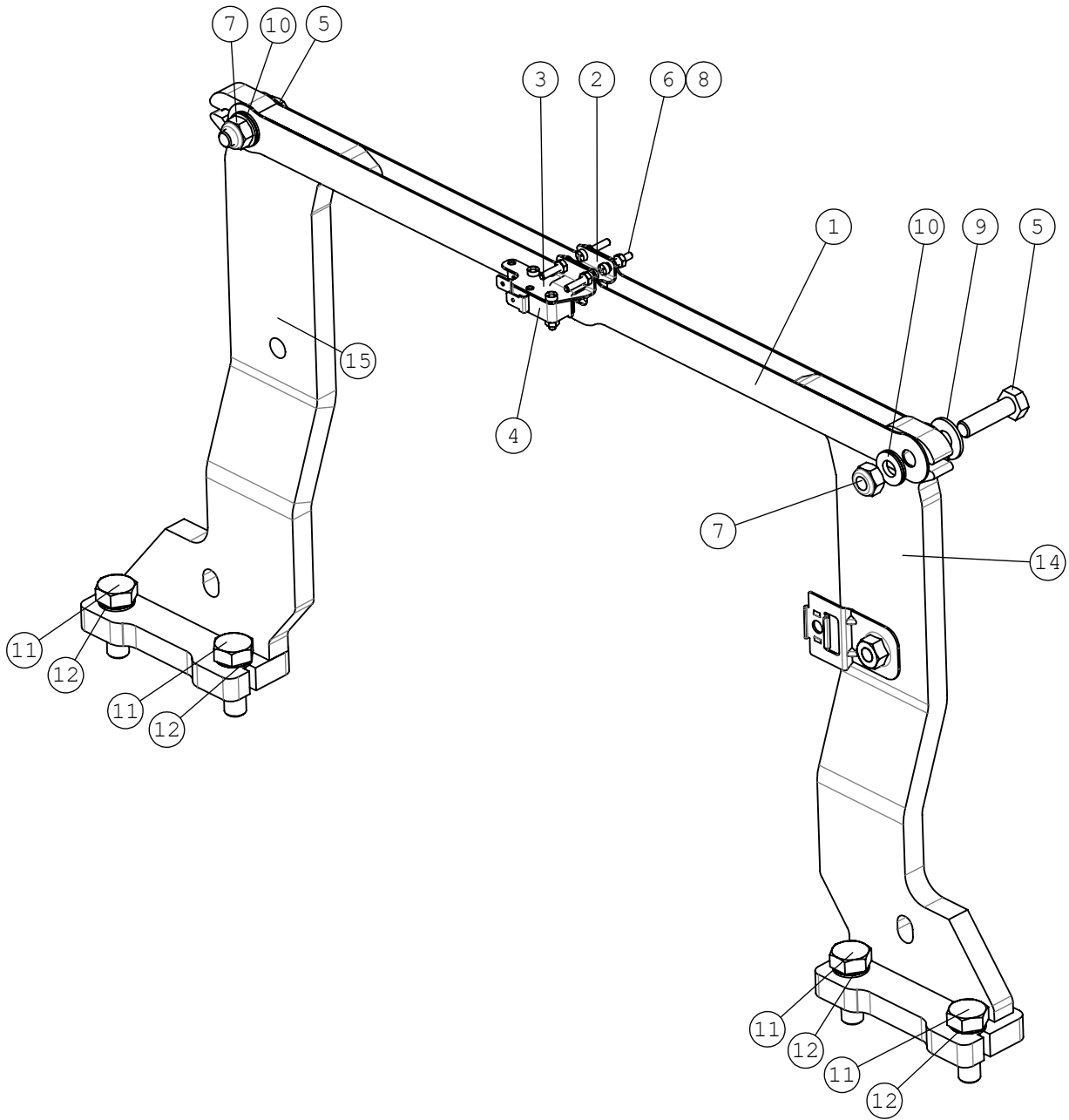
16.6.2023

A37449 ARTICULATION JOINT ASSEMBL REAR FRAME

REF	PART NO	QTY	DESCRIPTION	NOTES	PAGE
1	A444363	1	ARTICULATION JOINT CAST STEEL, ASSEMBLY		-
1.1	64911	2	ARTICUL. BEARING GE40ES F62/40-28(22)		-
2	72798	1	GREASE NIPPLE R 1/8" STRAIGHT		-
3	A47043	2	PIVOT PIN F40-63		-
4	A47655	1	PIVOT PIN F30-60		-
5	74531	3	SPACER NORDLOCK M10, PAIR		-
6	A437915	3	HEXAGONAL HEAD SCREW M10*20 10.9 2		-
7	A48263	1	SHIM RING S=1 MM, ARTICULATION JOINT		-
8	A437018	14	HEXAGONAL HEAD SCREW M12*40 12.9		-
9	74532	14	WASHER NORDLOCK NL12		-

16.6.2023

A415984 LOAD SENSOR SYSTEM, COMPLETE ASSEMBLY



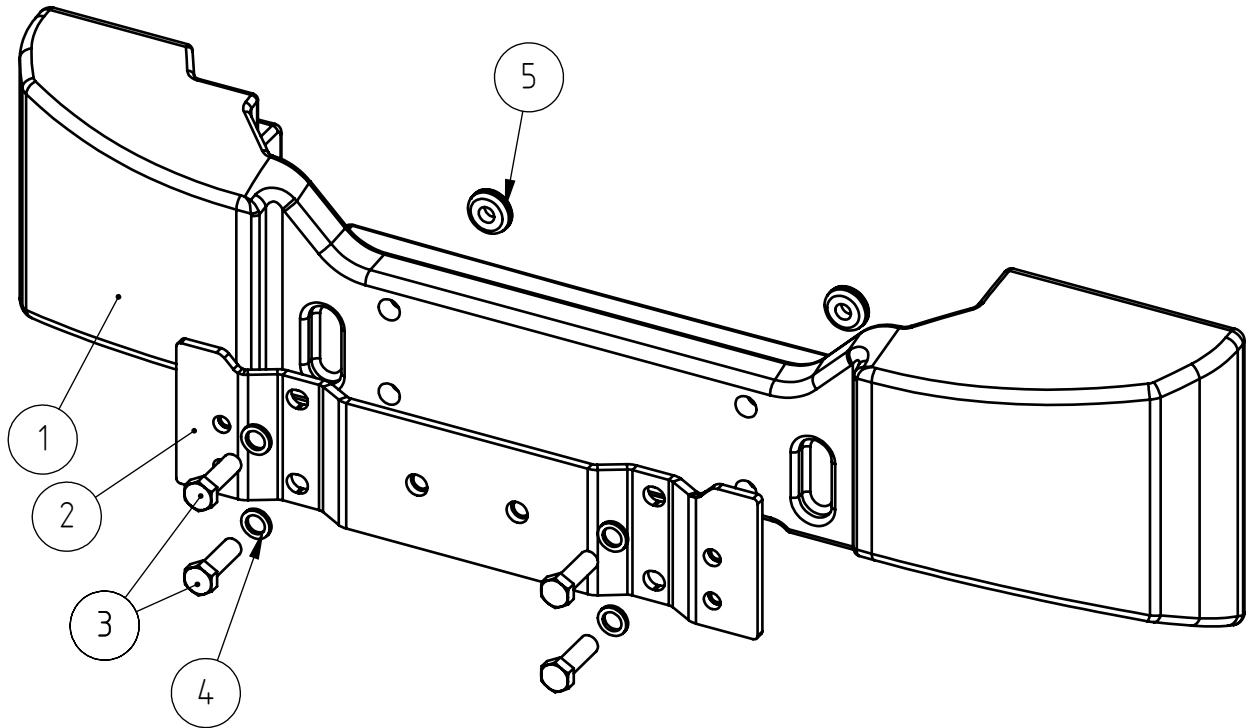
16.6.2023

A415984 LOAD SENSOR SYSTEM, COMPLETE ASSEMBLY

REF	PART NO	QTY	DESCRIPTION	NOTES	PAGE
1	A47912	2	BAND		-
2	A47908	1	CLAW		-
3	A47909	1	BRACKET, MICROSWITCH		-
4	64504	1	MICROSWITCH		-
5	72133	2	HEXAGONAL SCREW M8*30 DIN 933		-
6	74576	6	PAN HEAD MACHINE SCREW M3*16		-
7	72320	2	HEXAGONAL NUT M8 NYLOC DIN 985		-
8	74535	6	HEXAGONAL NUT M3		-
9	74525	2	WASHER M8 8,4*20*1,25 ZN		-
10	63944	2	WASHER, PAIR, NORD-LOCK M8		-
11	72151	4	HEXAGONAL SCREW M10*30 DIN 933 ZN		-
12	74531	4	SPACER NORDLOCK M10, PAIR		-
13	A417623	2	MOUNTING PLATE LOAD SENSOR SYSTEM		-
14	A417622	1	BRACKET, LEFT, LOAD SENSOR SYSTEM		-
15	A417621	1	BRACKET, RIGHT, LOAD SENSOR SYSTEM		-
16	A451560	1	BRACKET CONNECTOR PLUG		-
17	A450046	1	HEXAGONAL NUT M8 WITH FLANGE		-
18	A429201	1	HEXAGONAL SERRATED SCREW M8*20 WITH FLAN		-

16.6.2023

A36913 REAR WEIGHT (BUMPER) 168 KG, ASSEMBLY



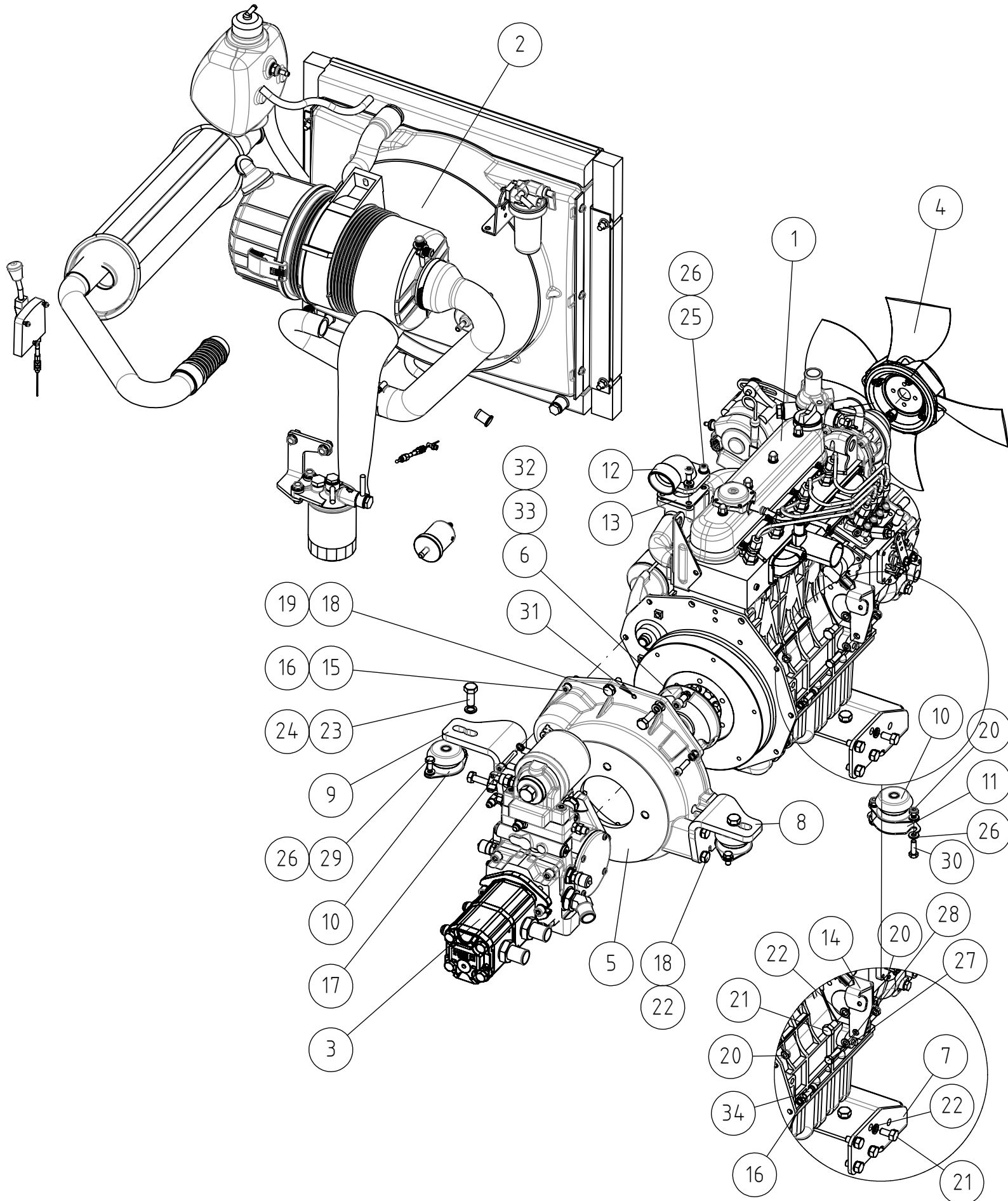
16.6.2023

A36913 REAR WEIGHT (BUMPER) 168 KG, ASSEMBLY

REF	PART NO	QTY	DESCRIPTION	NOTES	PAGE
1	A36641	1	REAR WEIGHT (BUMPER) 168 KG		-
2	A419683	1	MOUNTING PLATE, BACK WEIGHT 29 KG		-
3	72193	4	HEXAGONAL SCREW M16* 50 DIN 933		-
4	74533	4	WASHER, PAIR, M16 NL16 NORDLOCK		-
5	A423105	2	PRESS NUT M16 37 MM		-

16.6.2023

A439265 ENGINE V1505 STAGE V 735 ASSEMBLY



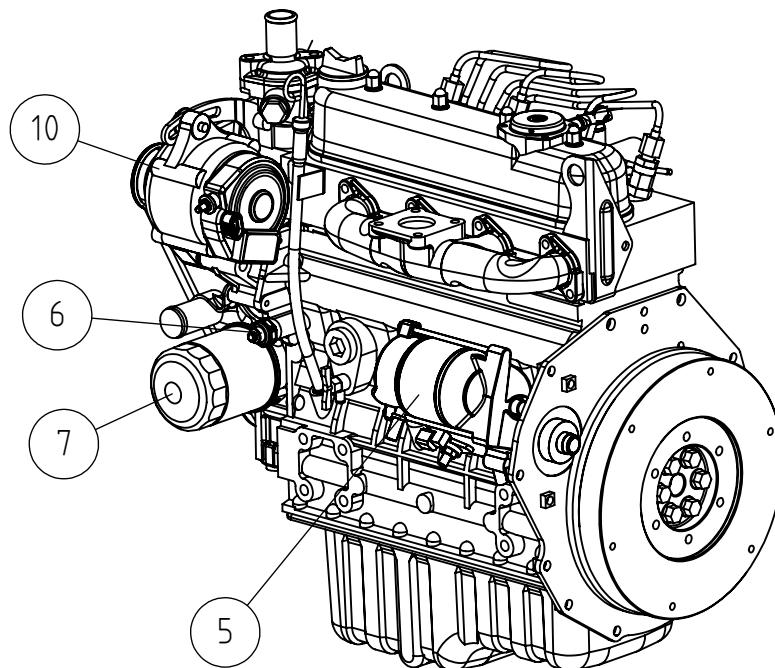
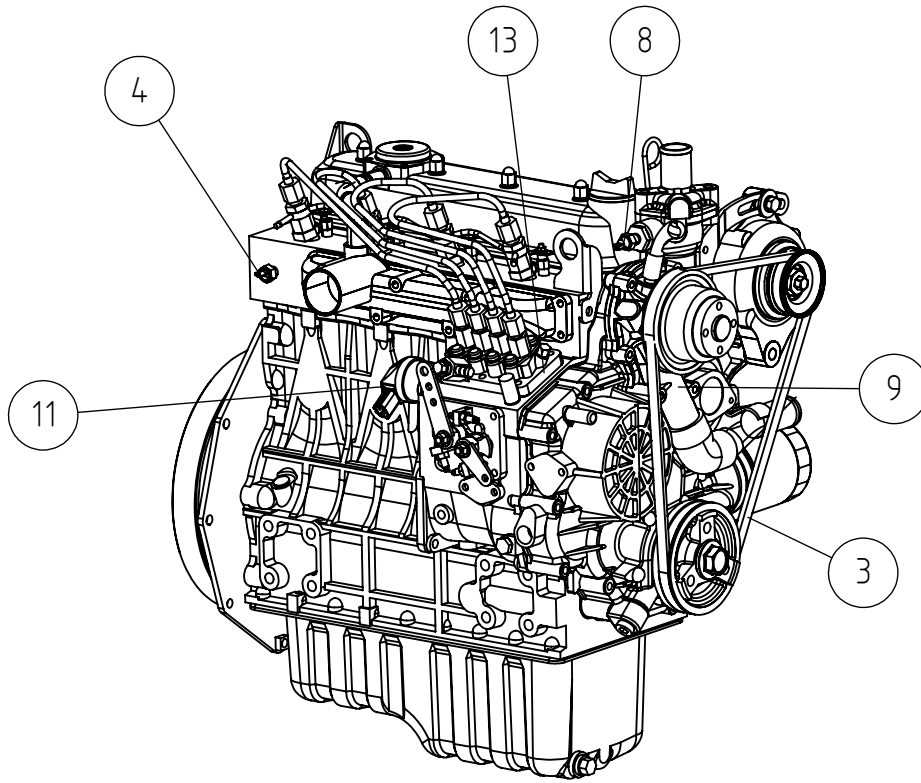
16.6.2023

A439265 ENGINE V1505 STAGE V 735 ASSEMBLY

REF	PART NO	QTY	DESCRIPTION	NOTES	PAGE
1	A429300	1	DIESEL ENGINE KUBOTA V1505 19KW WITHOUT		50
1.1	A433140	1	V-BELT L=940 KUBOTA V1505		-
1.2	65145	1	ALTERNATOR KUBOTA 40A		-
1.3	64627	1	ENGINE OIL FILTER KUBOTA 16271-3209-2		-
1.4	64285	4	GLOW PLUG KUBOTA Z482/D722/D1105		-
1.5	A429621	1	THERMOSTAT D1105/V1505		-
1.6	A444459	1	TEMPERATURE SWITCH 115° C KUBOTA		-
2	A439266	1	ACCESSORIES DIESEL ENGINE V1505 735		52
3	A433119	1	HYDRAULIC PUMPS 635/640/735 STAGE V		60
4	66450	1	FAN F380, 4 BLADE		-
5	A432897	1	FLYWHEEL HOUSING KUBOTA 05 SAE B		-
6	A432900	1	COUPLING Z=15 S=39		-
7	A47252	1	MOUNTING BRACKET, ENGINE, REAR, 600/735		-
8	A433231	1	MOUNTING BRACKET LEFT, ENGINE V1505		-
9	A433310	1	MOUNTING BRACKET RIGHT, ENGINE V1505		-
10	64843	3	ENGINE MOUNT NOVIBRA RAB-3		-
11	A422269	1	SPACER PLATE 2MM		-
12	A47259	1	EXHAUST PIPE, ENGINE SIDE V1505 STAGE 5		-
13	64280	1	SEAL, EXHAUST PIPE, KUBOTA Z482/D722		-
14	A47999	1	BRACKET, GAS WIRE		-
15	73100	6	HEXAGONAL HEAD SCREW M8*30 DIN 912 2		-
16	75100	8	SPACER NORDLOCK M8 NL8, PAIR		-
17	74483	1	HEXAGONAL HEAD SCREW M8* 45 DIN 912		-
18	A433246	10	HEXAGONAL SCREW M10*1,25*30 DIN 961		-
19	73612	2	WASHER M10 DIN 127		-
20	72320	5	HEXAGONAL NUT M8 NYLOC DIN 985		-
21	74789	9	HEXAGONAL SCREW M10*1,25-20		-
22	74531	17	SPACER NORDLOCK M10, PAIR		-
23	72167	3	HEXAGONAL SCREW M12*30 DIN 933		-
24	74532	3	WASHER NORDLOCK NL12		-
25	74480	4	HEXAGON. HEAD SCREW M 8* 16 DIN 912 ZN		-
26	63944	12	WASHER, PAIR, NORD-LOCK M8		-
27	72133	1	HEXAGONAL SCREW M8*30 DIN 933		-
28	73962	1	WASHER M 8 DIN 127		-
29	73039	4	HEXAGONAL SCREW M 8*16 DIN 933 ZN		-
30	72132	2	HEXAGONAL SCREW M 8*25 DIN 933 ZN		-
31	A433236	1	DOWEL PIN H8*16 DIN 7		-
32	A434424	3	SAFETY WASHER M10 3/8"		-
33	A433247	3	HEXAGONAL HEAD SCREW M10*1,25*20 DIN 961		-
34	71884	1	HEXAGONAL HEAD SCREW M 8*25 DIN 912 2		-

16.6.2023

A429300 DIESEL ENGINE KUBOTA V1505 19KW WITHOUT



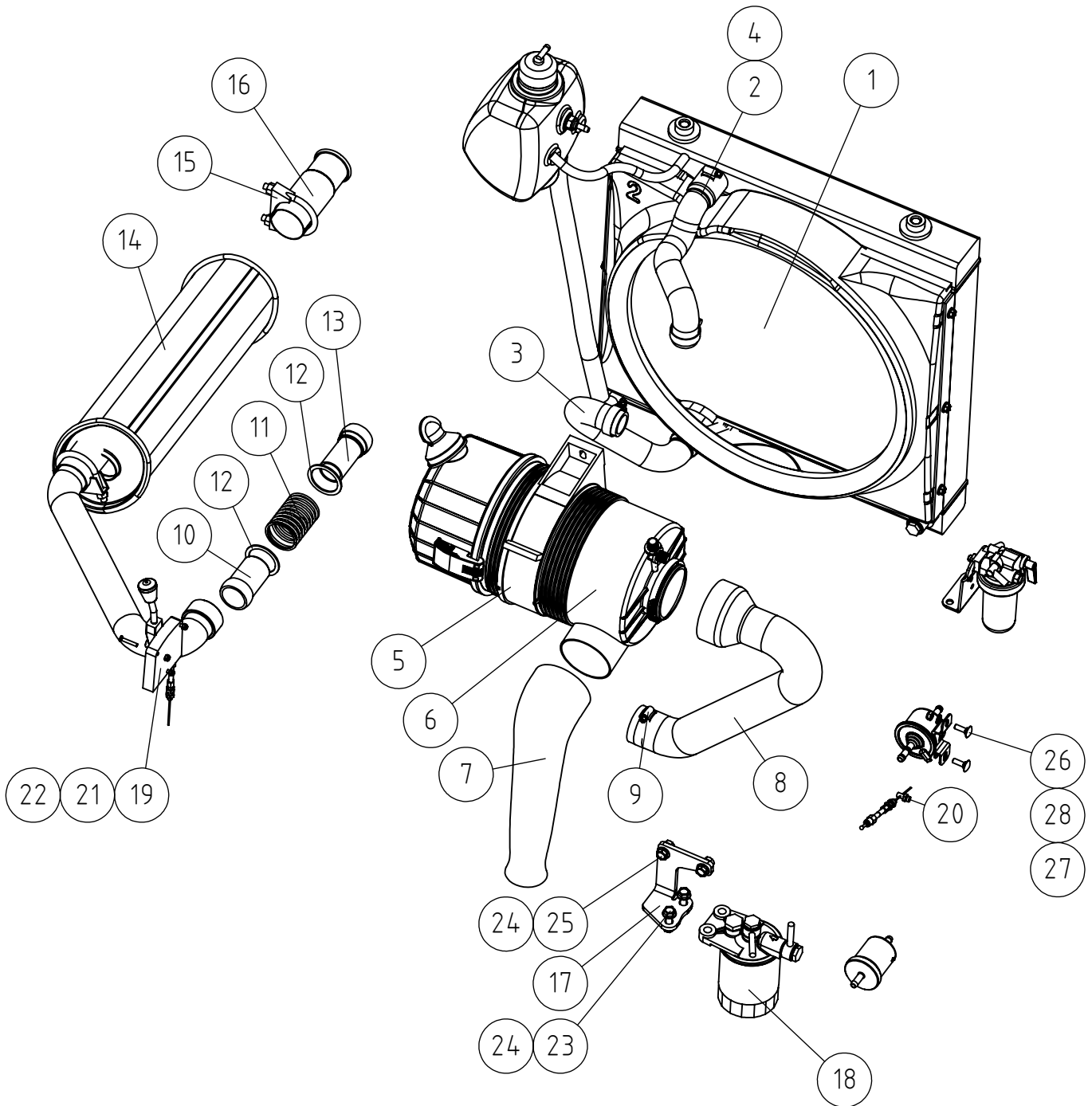
16.6.2023

A429300 DIESEL ENGINE KUBOTA V1505 19KW WITHOUT

REF	PART NO	QTY	DESCRIPTION	NOTES	PAGE
1	A429300	1	DIESEL ENGINE KUBOTA V1505 19KW WITHOUT		50
1.1	65145	1	ALTERNATOR KUBOTA 40A		-
1.2	A429621	1	THERMOSTAT D1105/V1505		-
2	A429739	1	GASKET THERMOSTAT KUBOTA		-
3	A433140	1	V-BELT L=940 KUBOTA V1505		-
4	A444459	1	TEMPERATURE SWITCH 115° C KUBOTA		-
5	A429581	1	STARTER MOTOR ASSEMBLY KUBOTA		-
6	64428	1	OIL PRESSURE SENSOR, Z482/D722		-
7	64627	1	ENGINE OIL FILTER KUBOTA 16271-3209-2		-
8	64486	1	SENSOR, TEMP. GAUGE COBO		-
9	A429578	1	WATER PUMP KUBOTA D1105/V1505		-
10	65574	1	ALTERNATOR KUBOTA 60A (KIT)		-
11	65245	1	STOP SOLENOID D1105 17208-60012		-
12	64285	1	GLOW PLUG KUBOTA Z482/D722/D1105		-
13	A451772	1	INJECTION PUMP KUBOTA V1505 19KW / 26KW		-
-	A433140	1	V-BELT L=940 KUBOTA V1505		-
-	65145	1	ALTERNATOR KUBOTA 40A		-
-	64627	1	ENGINE OIL FILTER KUBOTA 16271-3209-2		-
-	64285	4	GLOW PLUG KUBOTA Z482/D722/D1105		-
-	A429621	1	THERMOSTAT D1105/V1505		-
-	A444459	1	TEMPERATURE SWITCH 115° C KUBOTA		-

16.6.2023

A439266 ACCESSORIES DIESEL ENGINE V1505 735



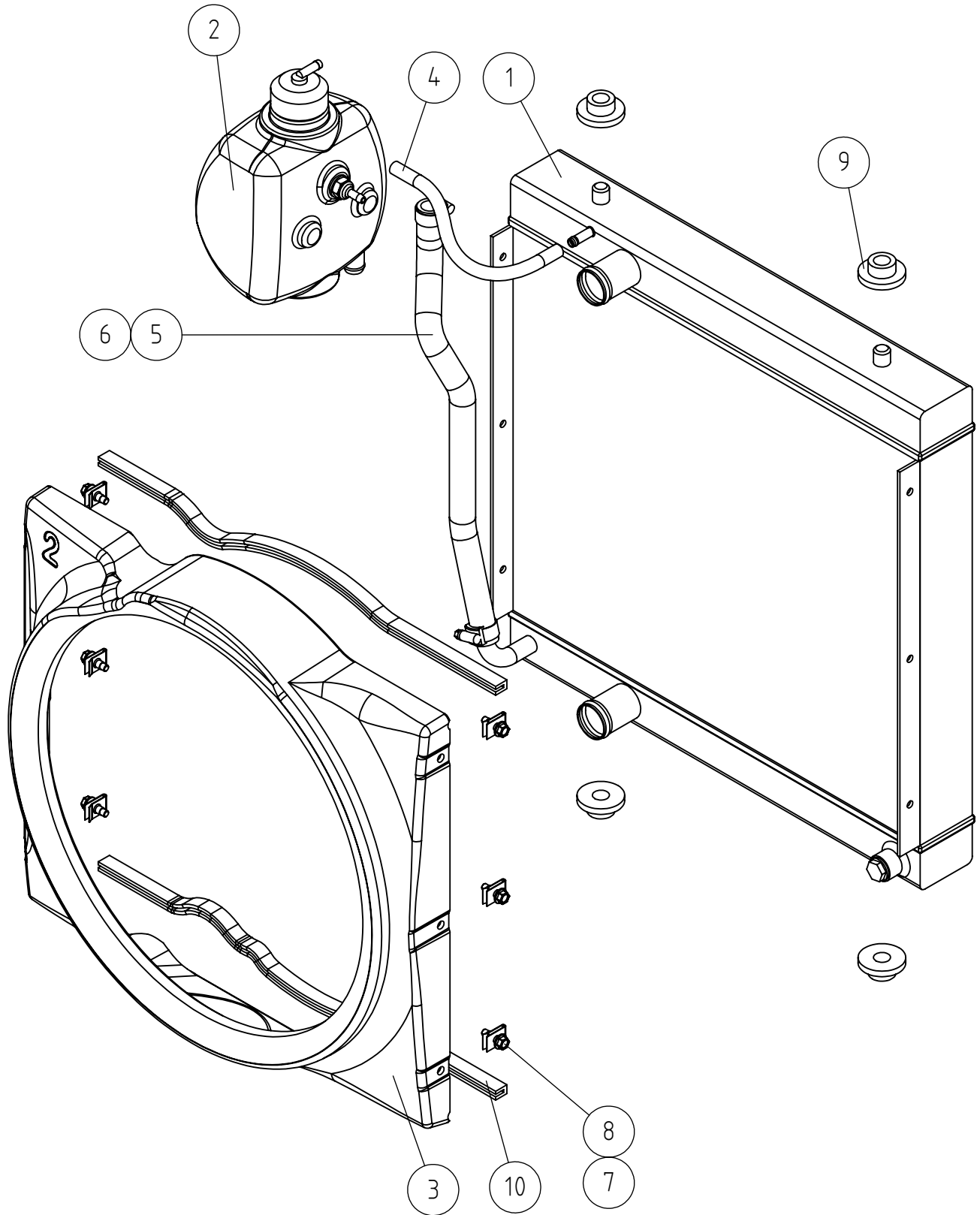
16.6.2023

A439266 ACCESSORIES DIESEL ENGINE V1505 735

REF	PART NO	QTY	DESCRIPTION	NOTES	PAGE
1	A451362	1	RADIATOR ASSEMBLY KUBOTA V1505/V2403 735		54
2	A439101	1	RADIATOR HOSE UPPER 735		-
3	A439103	1	RADIATOR HOSE LOWER 735		-
4	73809	4	HOSE CLAMP 32-44 MM		-
5	65946	1	CLAMP, AIR FILTER 65941		-
6	65941	1	AIR FILTER COMPLETE AVANT 760I VIRGIS FR		-
6.1	66060	1	AIR FILTER CARTRIDGE, 760I VIRGIS CH07		-
6.2	66061	1	AIR FILTER, INNER SCREEN ELEMENT, 760I		-
7	A419185	1	SUCTION RESTRICTOR HOSE		-
8	A439177	1	INLET HOSE 44MM/77MM AVANT 735		-
9	64338	1	HOSE CLAMP ABA 44-56 MM		-
10	A46004	1	EXHAUST PIPE, OUTER		-
11	A46005	1	SPRING 3*41*140 NT 8,5		-
12	A46002	2	RING		-
13	A46003	1	EXHAUST PIPE, INNER		-
14	A441520	1	EXHAUST MUFFLER & PIPE AVANT 735		56
15	74853	1	CLAMP, EXHAUST MUFFLER		-
16	65598	1	EXHAUST TRIM, MUFFLER, CHROME FINISH		-
17	A441663	1	BRACKET FUEL FILTER 700-800 SERIES		-
18	A441676	1	FUEL SYSTEM ASSEMBLY WITH FILTER 700/800		58
19	A420564	1	HAND THROTTLE CONTROL DEVICE WITH WIRE		-
19.1	A47712	1	THROTTLE WIRE L=3000/2700		-
20	74415	1	SCREW NIPPLE 128.244 S&N 2.35.0000.208		-
21	74582	3	CROSS-SLOT COUNTERSUNK HEAD SCREW M4*25		-
22	72313	3	HEXAGONAL NUT M4 DIN 985 NYLOC		-
23	A429203	2	HEXAGONAL SERRATED SCREW M8*30 WITH FLAN		-
24	74782	4	HEXAGONAL NUT M8 WITH FLANGE		-
25	A429201	2	HEXAGONAL SERRATED SCREW M8*20 WITH FLAN		-
26	74913	2	CARRIAGE BOLT M6*20 DIN603		-
27	72318	2	HEXAGONAL NUT M 6 DIN 985 NYLOC		-
28	71680	2	WASHER M6 DIN 125		-

16.6.2023

A451362 RADIATOR ASSEMBLY KUBOTA V1505/V2403 735



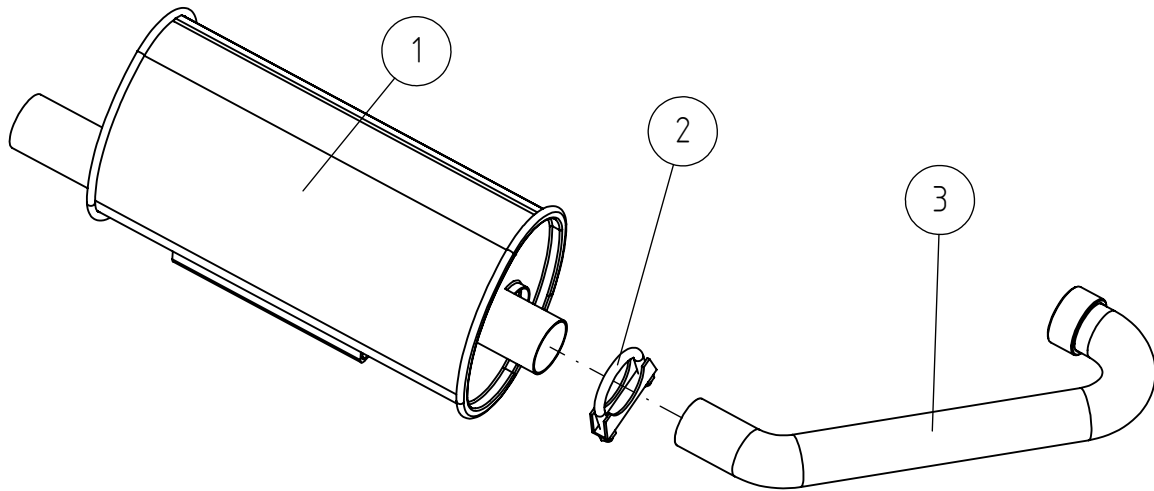
16.6.2023

A451362 RADIATOR ASSEMBLY KUBOTA V1505/V2403 735

REF	PART NO	QTY	DESCRIPTION	NOTES	PAGE
1	A443473	1	RADIATOR KUBOTA/KOHLER 635-800		-
2	A417223	1	OVERFLOW TANK WITH CAP 745-760I		-
2.1	66448	1	CAP EXPANSION TANK		-
3	A443060	1	WIND TUNNEL 635 640 735 745 750		-
4	A419237	1	RADIATOR HOSE L=250 700 SERIES		-
5	A450939	1	WATER HOSE OVERFLOW TANK 700/800		-
6	64337	2	HOSE CLAMP 19-28 MM ABA		-
7	74807	6	SPEED NUT M6, FOR 0.5-4.0 MM PLATE		-
8	A431349	6	HEXAGONAL SERRATED SCREW M6*20 W. FLANG		-
9	A420381	4	VIBRATION DAMPER RUBBER RADIATOR		-
10	A438764	1	EDGE STRIP WIND TUNNEL KOHLER KDI		-

16.6.2023

A441520 EXHAUST MUFFLER & PIPE AVANT 735



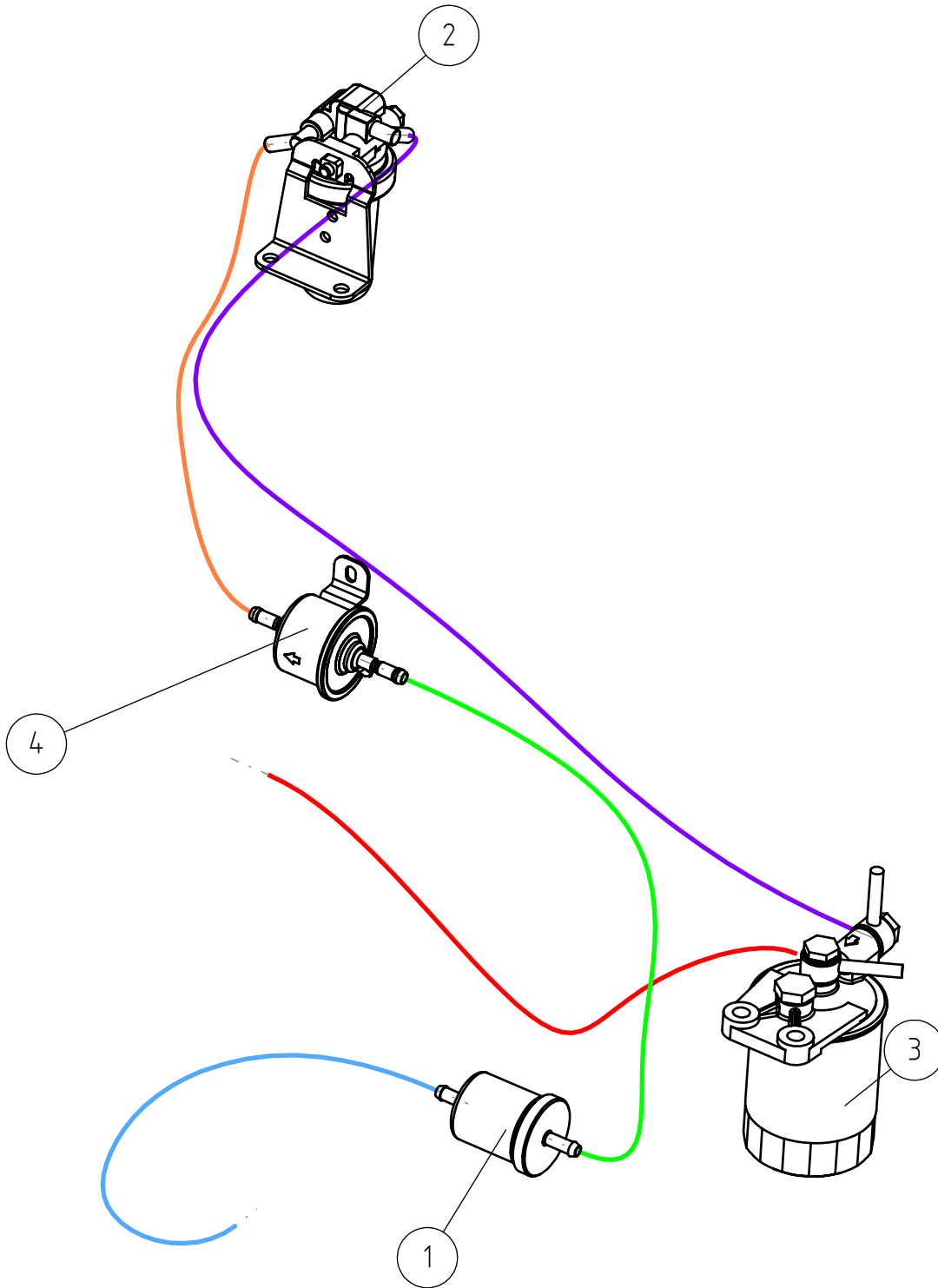
16.6.2023

A441520 EXHAUST MUFFLER & PIPE AVANT 735

REF	PART NO	QTY	DESCRIPTION	NOTES	PAGE
1	A439181	1	EXHAUST MUFFLER 735 745 750		-
2	A445764	1	CLAMP EXHAUST PIPE D=48 M8		-
3	A445807	1	EXHAUST PIPE FRONT PART BEND 735		-

16.6.2023

A441676 FUEL SYSTEM ASSEMBLY WITH FILTER 700/800



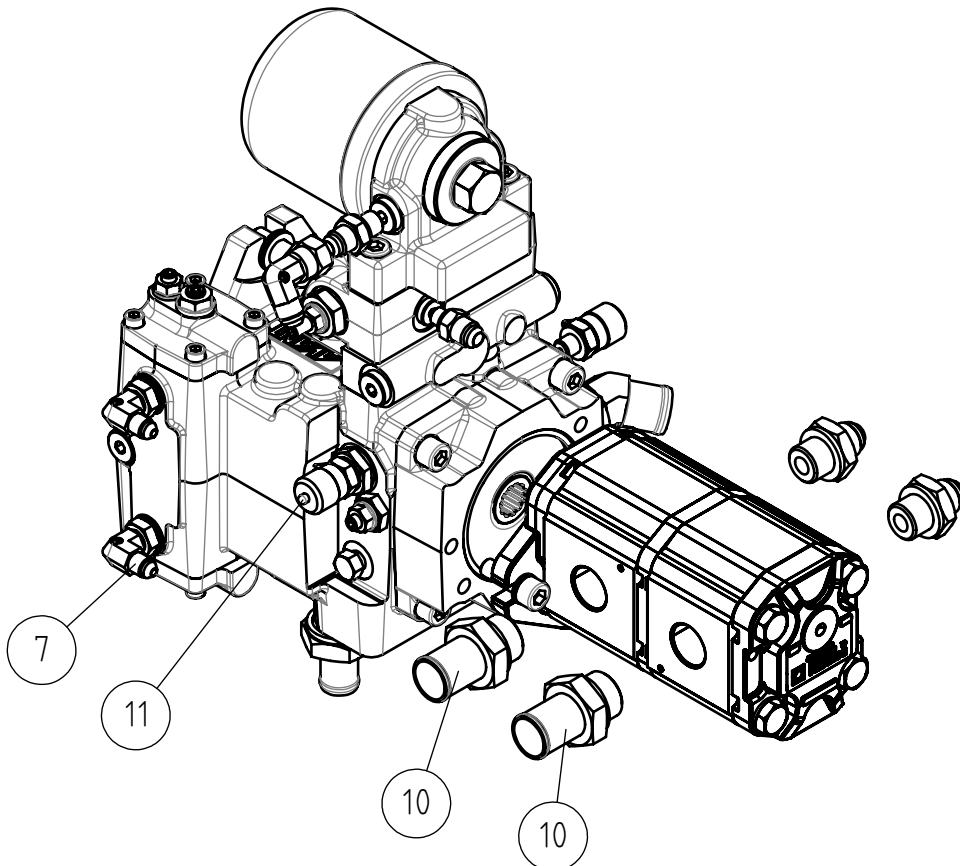
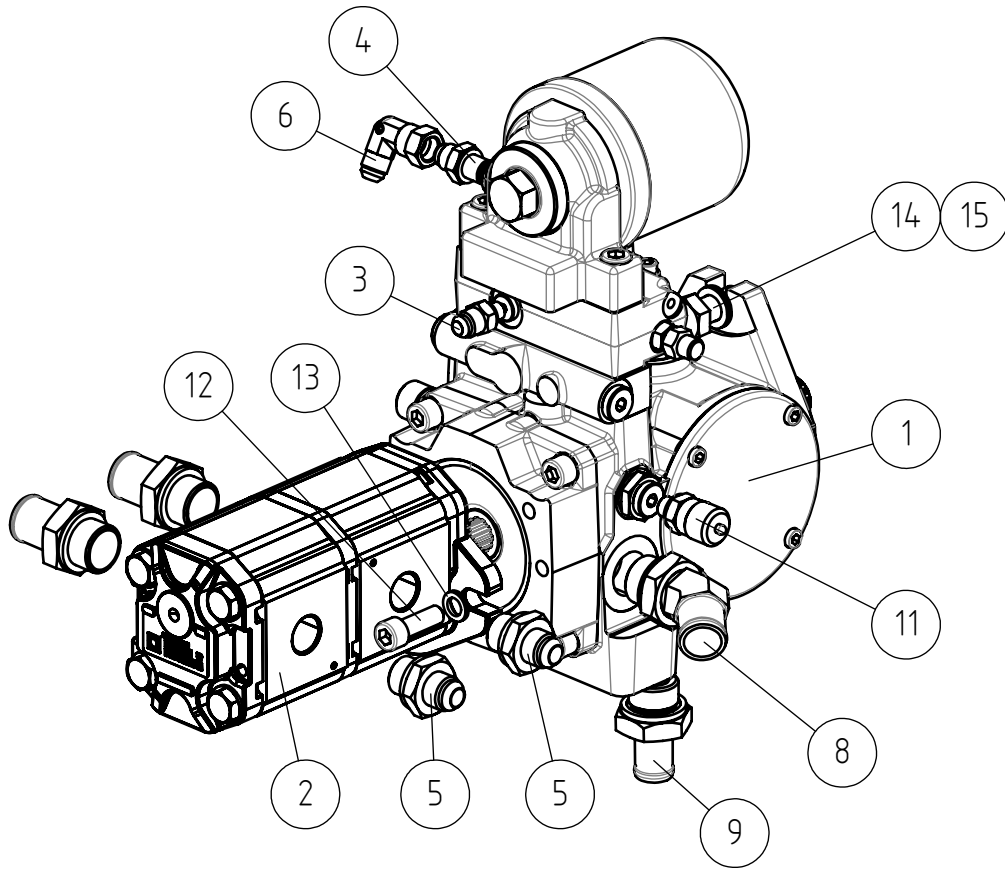
16.6.2023

A441676 FUEL SYSTEM ASSEMBLY WITH FILTER 700/800

REF	PART NO	QTY	DESCRIPTION	NOTES	PAGE
1	64657	1	FUEL FILTER IN HOSE 12581-43012 D1105		-
2	64920	1	WATER SEQUESTER, KIT, KUBOTA 16614-43001		-
3	65189	1	FUEL FILTER, KIT, V2403		-
3.1	64626	1	FUEL FILTER CARTRIDGE 15221-4308-0		-
4	64625	1	FUEL PUMP ELECTR.		-

16.6.2023

A433119 HYDRAULIC PUMPS 635/640/735 STAGE V



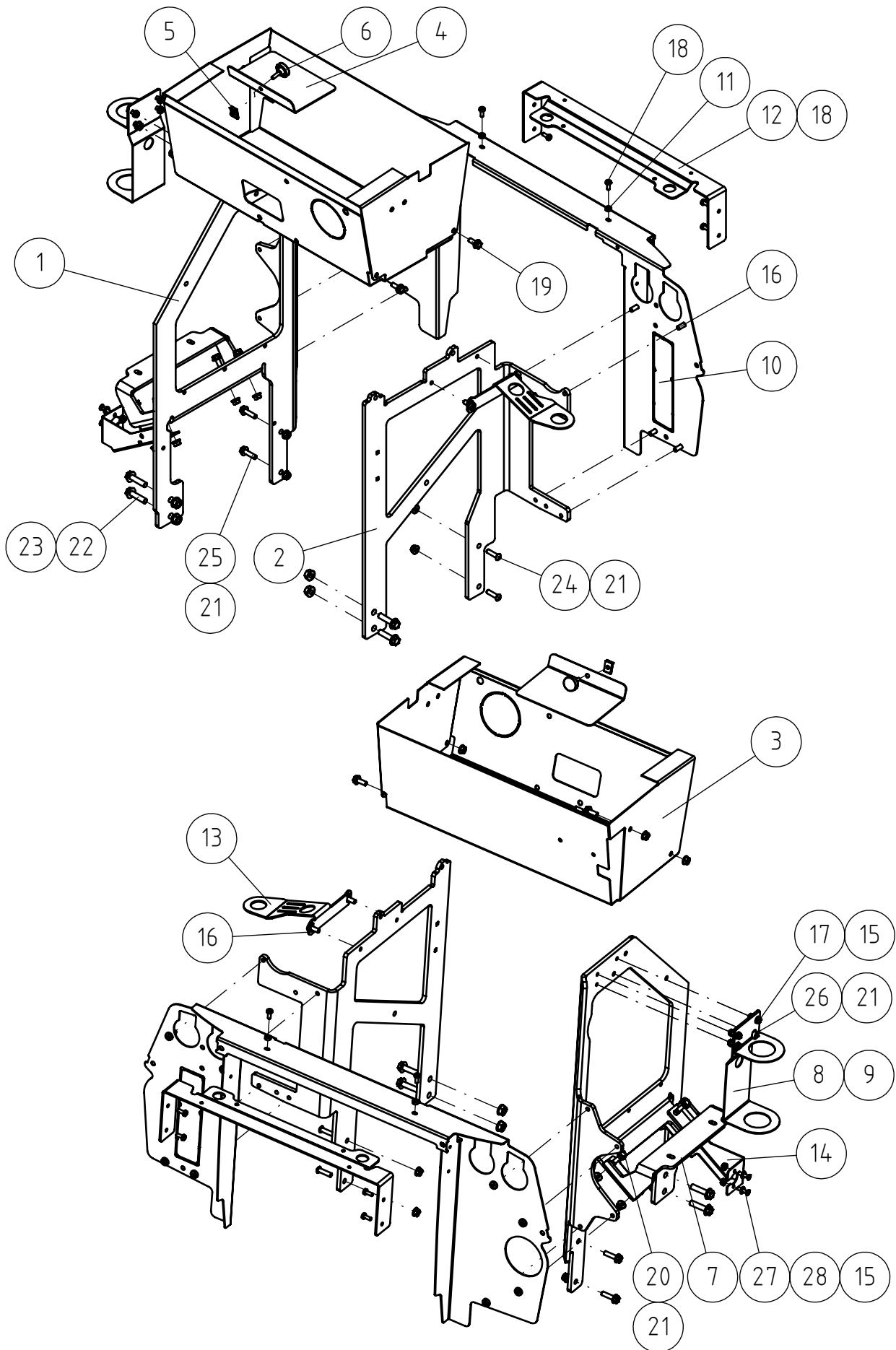
16.6.2023

A433119 HYDRAULIC PUMPS 635/640/735 STAGE V

REF	PART NO	QTY	DESCRIPTION	NOTES	PAGE
1	A432632	1	VARIABLE DISPL. PUMP 29CC+9CC 3600 RPM		-
1.1	64807	1	PRESSURE FILTER, HYDR. B&P 539047001		-
1.2	66414	1	FASTENING BOLT PRESSURE FILTER BONDIOLI		-
2	65142	1	HYDRAULIC PUMP HPLPB214/211		-
3	64346	1	BASIC FITTING F40XS10-1/8"		-
4	64059	1	BASIC FITTING F40XS10-1/4		-
5	64058	2	BASIC FITTING F40XS12-1/2		-
6	64043	1	ELBOW FITTING 90° C6XS10		-
7	64687	2	ELBOW FITTING 90° C40XS6-1/4"		-
8	66362	1	HOSE BARB 45° R3/4"UK - 25MM		-
9	66427	1	HOSE BARB R3/4"UK - 20MM		-
10	66107	2	HOSE BARB R3/4"UK - 25 MM L=58		-
11	65559	2	MANOMETER FITTING M16*2		-
12	74467	2	HEXAGONAL HEAD SCREW M10* 30 DIN 912		-
13	74531	2	SPACER NORDLOCK M10, PAIR		-
14	74511	2	HEXAGONAL SCREW M14* 30 DIN 933		-
15	74690	2	WASHER NORDLOCK M14 NL14		-

16.6.2023

A439111 ENGINE BAY KUBOTA STG5 T4F 700-800



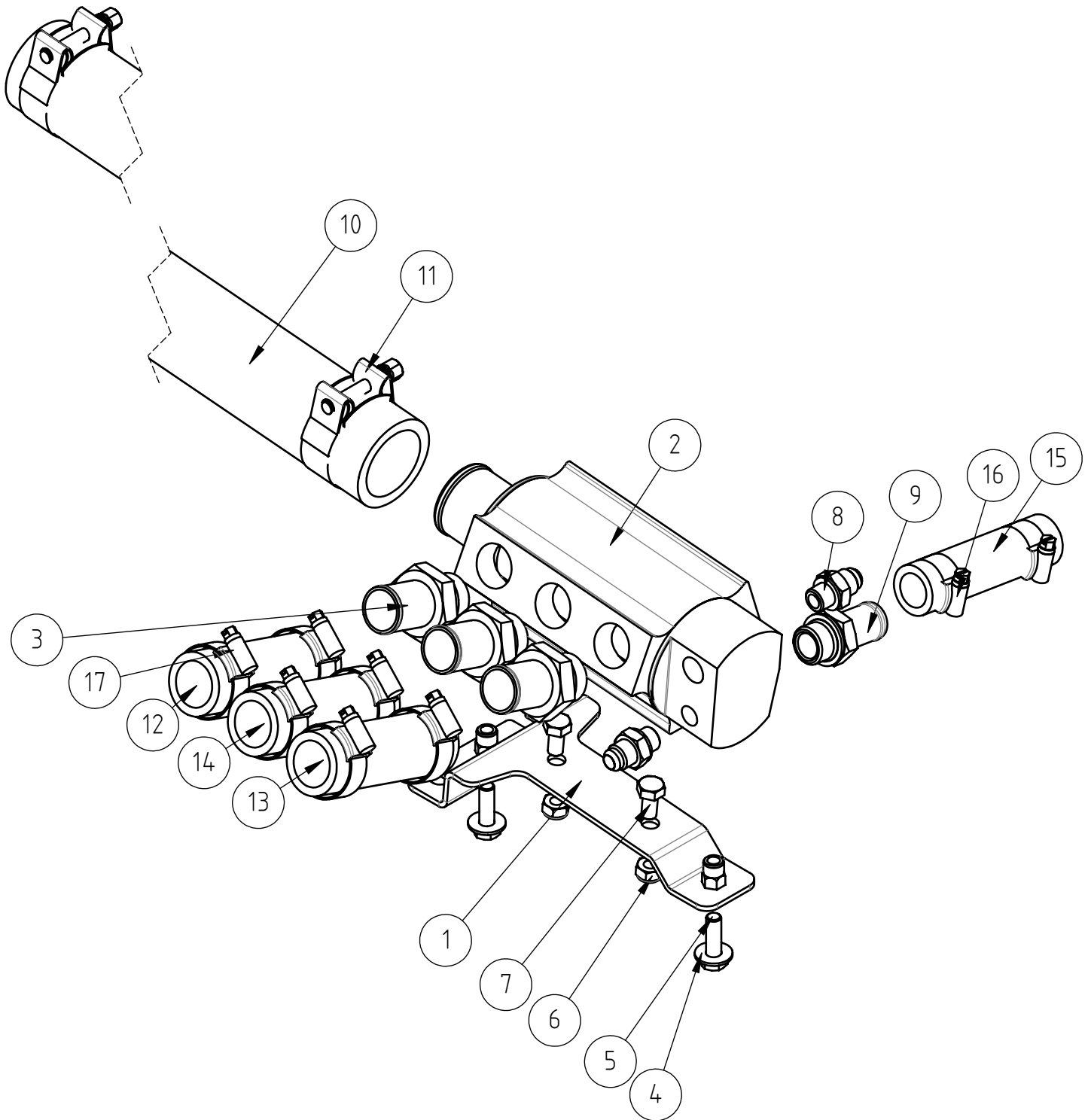
16.6.2023

A439111 ENGINE BAY KUBOTA STG5 T4F 700-800

REF	PART NO	QTY	DESCRIPTION	NOTES	PAGE
1	A439288	1	MOUNTING BRACKET, RIGHT		-
2	A450958	1	MOUNTING BRACKET LEFT 8MM 700-800 SER		-
3	A439122	1	TOOL BOX REAR FRAME 700-800 SERIES		-
4	A419234	1	HATCH		-
5	74807	1	SPEED NUT M6, FOR 0.5-4.0 MM PLATE		-
6	64941	1	FINGER SCREW M6*20 R3015RM620S		-
7	A441478	1	BRACKET EXHAUST MUFFLER 735 745 750		-
8	A417250	1	BRACKET		-
9	A417251	1	BRACKET, UPPER		-
10	A447575	1	COUNTER PLATE REAR GRILLE 700/800 SERIES		-
11	A413429	2	SPACER		-
12	A446715	1	BRACKET UPPER RADIATOR 700/800 SERIES		-
13	A437344	1	MOUNTING BRACKET FUEL TANK		-
14	A437721	1	BRACKET BATTERY DISCONNECT SWITCH		-
15	74781	5	HEXAGONAL NUT M6 WITH FLANGE		-
16	A435496	10	THREAD-FORMING SCREW M8*20 DIN 7500C		-
17	A431349	3	HEXAGONAL SERRATED SCREW M6*20 W. FLANG		-
18	75129	6	THREAD-FORMING SCREW M6*16 DIN 7500C		-
19	A429201	4	HEXAGONAL SERRATED SCREW M8*20 WITH FLAN		-
20	A429202	4	HEXAGONAL SERRATED SCREW M8*25 WITH FLAN		-
21	74782	13	HEXAGONAL NUT M8 WITH FLANGE		-
22	A432192	4	HEXAGONAL SERRATED SCREW M10*40 W. FLANG		-
23	74783	4	HEXAGONAL NUT M10 WITH FLANGE		-
24	A439829	2	HEXAGONAL HEAD SCREW M8*30 10.9 2		-
25	A429203	2	HEXAGONAL SERRATED SCREW M8*30 WITH FLAN		-
26	74481	1	HEXAGONAL HEAD SCREW M8*20 DIN 912 ZN		-
27	A426199	2	CROSS-SLOT COUNTRS. HEAD SCREW M6*25		-
28	74768	2	WASHER CONICAL M6		-

16.6.2023

A436989 HYDRAULIC MANIFOLD & HOSES 800 SERIES



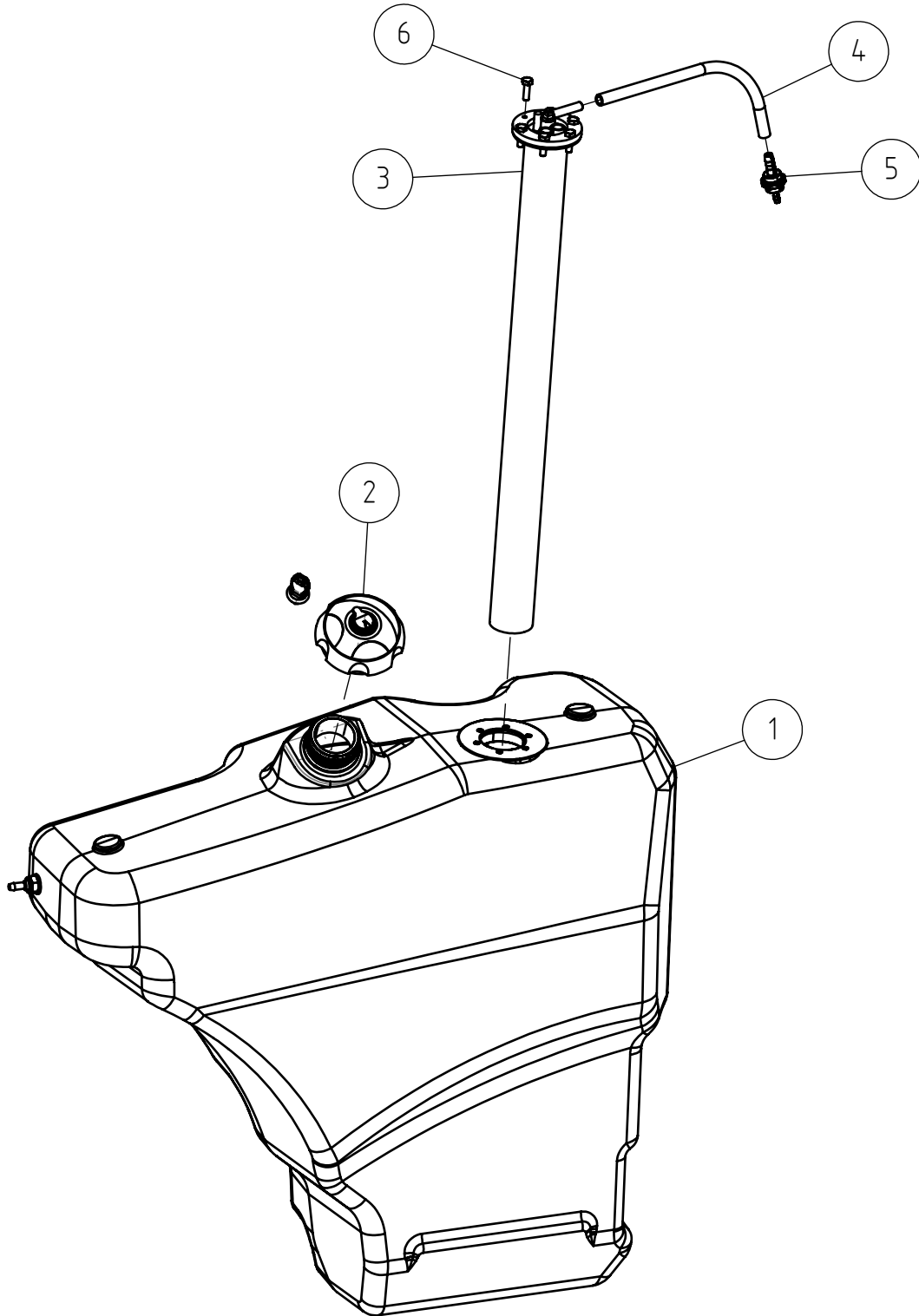
16.6.2023

A436989 HYDRAULIC MANIFOLD & HOSES 800 SERIES

REF	PART NO	QTY	DESCRIPTION	NOTES	PAGE
1	A429660	1	MOUNTING BRACKET HYDRAULIC MANIFOLD		-
2	A37587	1	HYDRAULIC MANIFOLD ASSEMBLY 400-700 SER		-
3	66107	3	HOSE BARB R3/4"UK - 25 MM L=58		-
4	74525	2	WASHER M8 8,4*20*1,25 ZN		-
5	72132	2	HEXAGONAL SCREW M 8*25 DIN 933 ZN		-
6	72320	2	HEXAGONAL NUT M8 NYLOC DIN 985		-
7	73039	2	HEXAGONAL SCREW M 8*16 DIN 933 ZN		-
8	64059	2	BASIC FITTING F40XS10-1/4		-
9	66428	1	HOSE BARB R1/2"UK - 20MM		-
10	A410028	1	INLET HOSE F53/F40-440		-
11	66013	2	PIPE CLAMP POWER-FLEX S-048-		-
12	A436987	1	INLET HOSE D25 L=660		-
13	A436983	1	INLET HOSE D25 L=480		-
14	A436985	1	INLET HOSE D25 L=590		-
15	A436981	1	HOSE D19 L=800		-
16	73530	2	HOSE CLAMP 22-32 MM		-
17	73809	6	HOSE CLAMP 32-44 MM		-

16.6.2023

A436129 FUEL TANK ASSEMBLY 66L



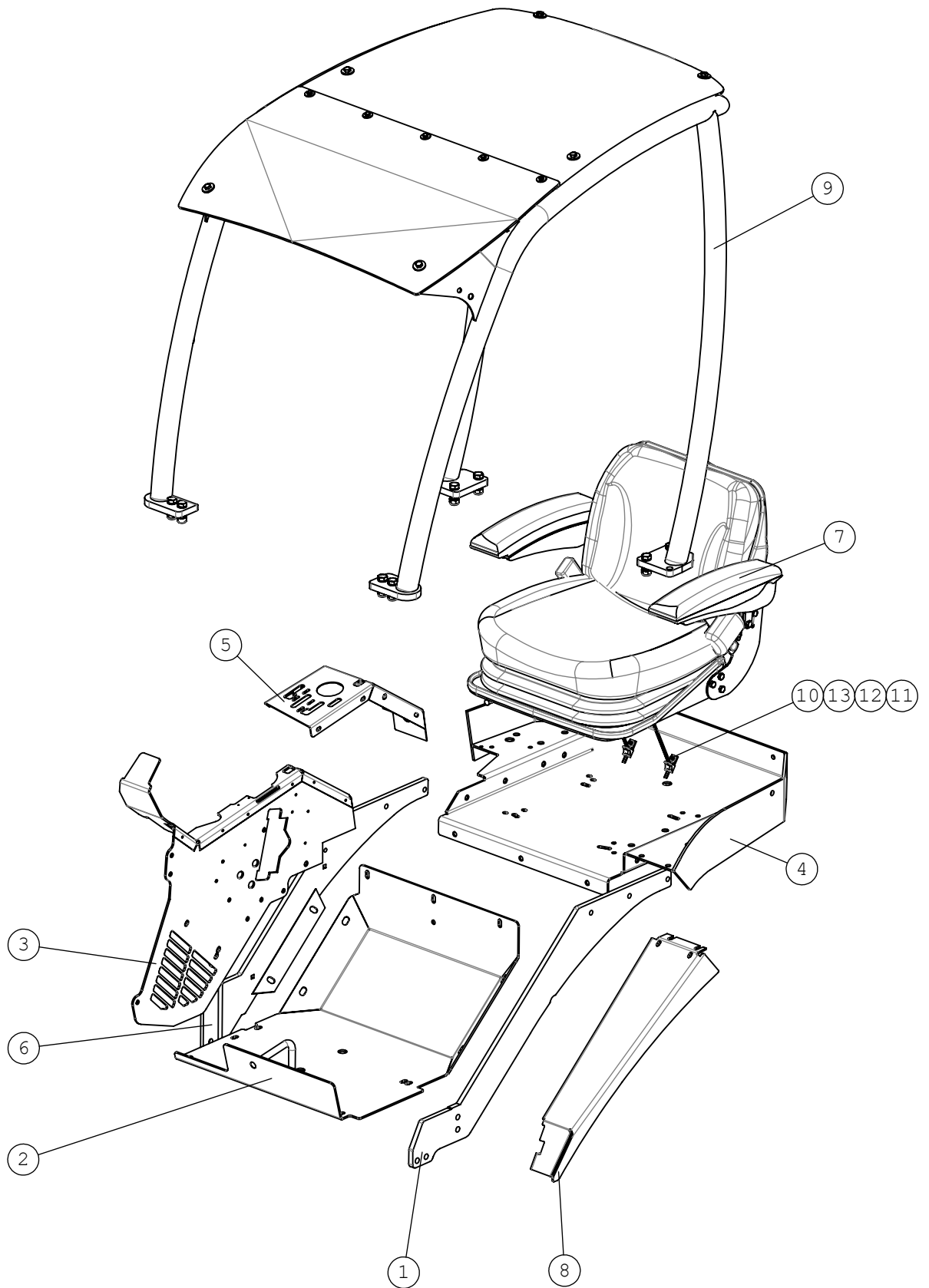
16.6.2023

A436129 FUEL TANK ASSEMBLY 66L

REF	PART NO	QTY	DESCRIPTION	NOTES	PAGE
1	A436127	1	FUEL TANK 66 LITRES		-
2	A410521	1	FUEL TANK CAP, LOCKABLE		-
3	A436296	1	SENSOR FUEL GAUGE		-
4	A422532	1	FUEL HOSE L=350		-
5	A422526	1	CHECK VALVE FUEL TANK		-
6	72118	6	HEXAGONAL SCREW M6*20 DIN 933		-

16.6.2023

A21587 SAFETY FRAME, COMPLETE ASSEMBLY



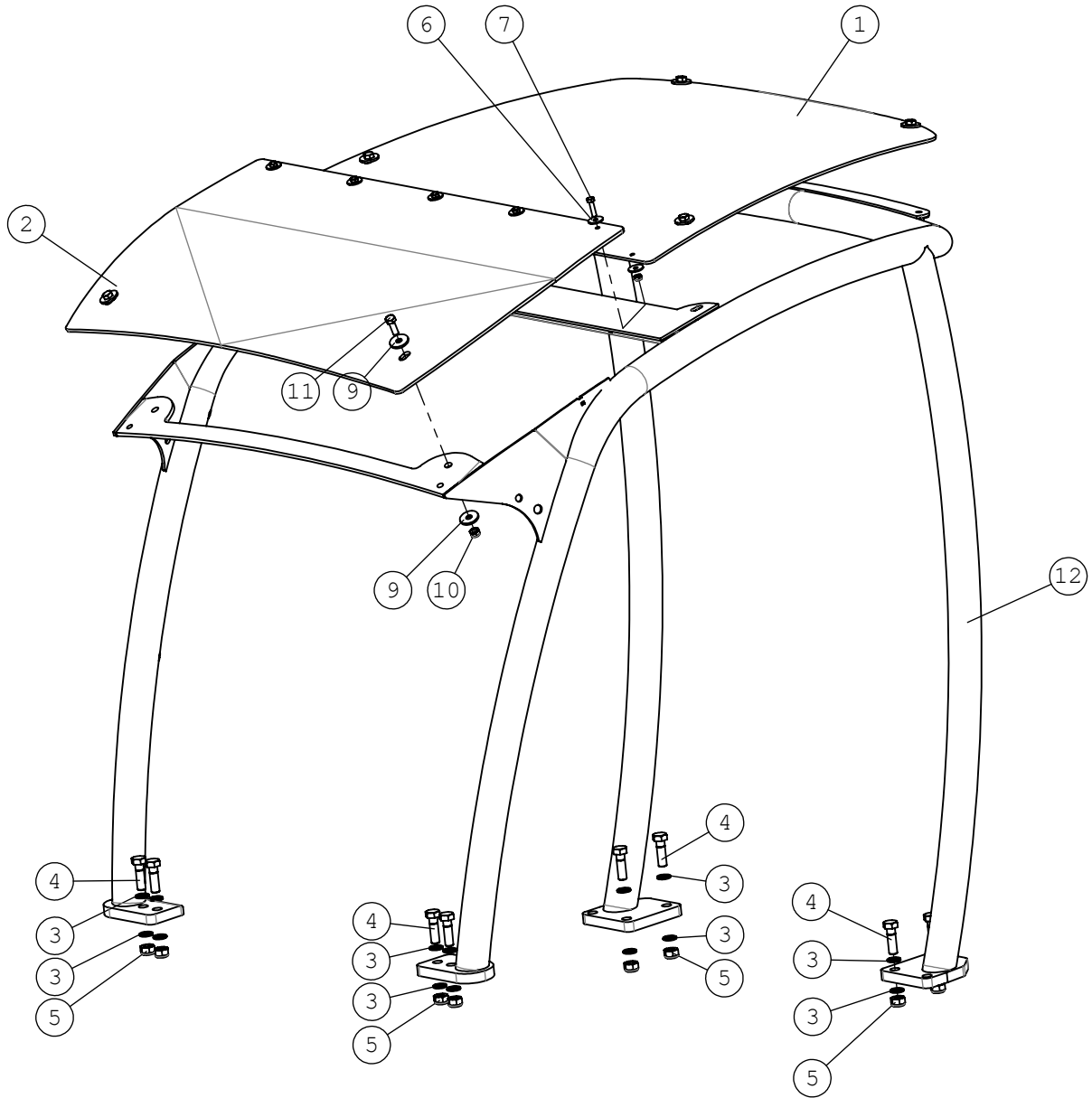
16.6.2023

A21587 SAFETY FRAME, COMPLETE ASSEMBLY

REF	PART NO	QTY	DESCRIPTION	NOTES	PAGE
1	A47834	1	BAR, LEFT		-
2	A47399	1	FLOOR PLATE		-
3	A48069	1	SIDE PLATE		-
4	A48246	1	SEAT BASE		-
5	A48844	1	PANEL		-
6	A47389	1	BAR, RIGHT		-
7	66155	1	SEAT FULL SUSPENSION HEATER OP MANUAL BOX		-
7.1	A435848	1	SEAT RAILS, PAIR		-
7.2	65726	1	SEAT CUSHION, BLACK, WITH HEATER		-
7.3	64816	1	ARMRESTS, PAIR, SUSPENSION SEAT ACC980		-
7.4	66375	1	SEAT BELT WITH MICROSWITCH		-
8	A47531	1	EDGE PLATE		-
9	A49119	1	ROPS FRAME WITH FOPS CANOPY, 600/700 SER		70
10	74767	2	RAISED COUNTERSUNK HEAD SCREW M6*20		-
11	74768	2	WASHER CONICAL M6		-
12	A452923	2	HEXAGONAL NUT M6 DIN 6923		-
13	A442639	2	CABLE TIE 7,6*390 M6 BLACK		-

16.6.2023

A49119 ROPS FRAME WITH FOPS CANOPY, 600/700 SER

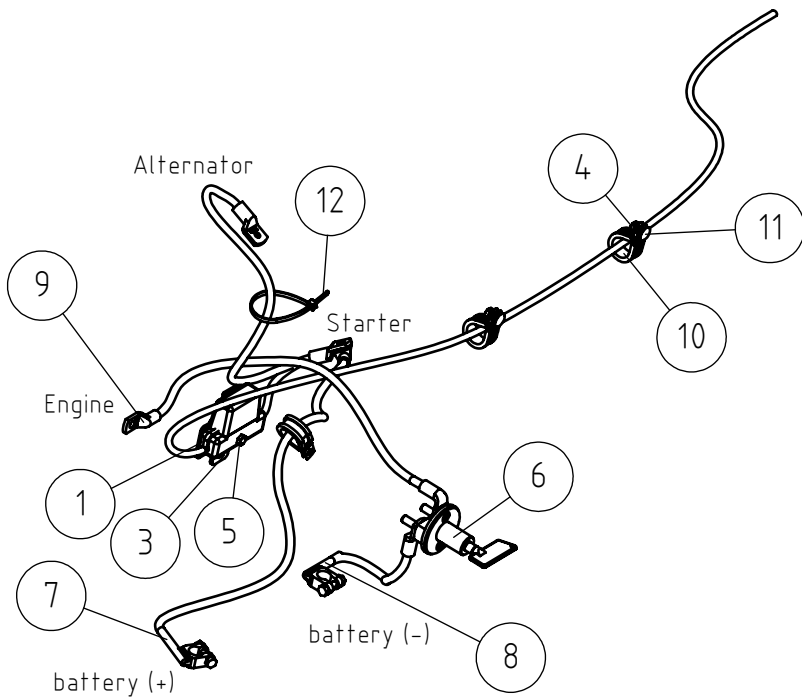
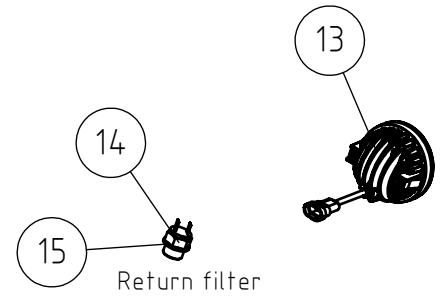
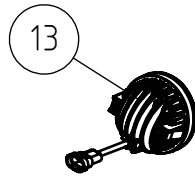


16.6.2023

A49119 ROPS FRAME WITH FOPS CANOPY, 600/700 SER

REF	PART NO	QTY	DESCRIPTION	NOTES	PAGE
1	A48905	1	FOPS CANOPY PLATE 500/600/700		-
2	A48909	1	CANOPY, SHORT, POLYCARBONATE (WITH FOPS)		-
3	74532	16	WASHER NORDLOCK NL12		-
4	73322	8	HEXAGONAL SCREW M12*40 DIN 931		-
5	72324	8	HEXAGONAL NUT M 12 NYLOC DIN 985		-
6	71681	10	WASHER M6 DIN 440		-
7	72119	5	HEXAGONAL SCREW M6*25 DIN 933 ZN		-
8	72318	5	HEXAGONAL NUT M 6 DIN 985 NYLOC		-
9	71685	12	WASHER M8 R9 DIN 440 ZN		-
10	72320	6	HEXAGONAL NUT M8 NYLOC DIN 985		-
11	72132	6	HEXAGONAL SCREW M 8*25 DIN 933 ZN		-
12	A33920	1	ROPS FRAME 1090 MM 600/700 SERIES		-

A441357 ELECTRIC SYSTEM ASSEMBLY AVANT 700



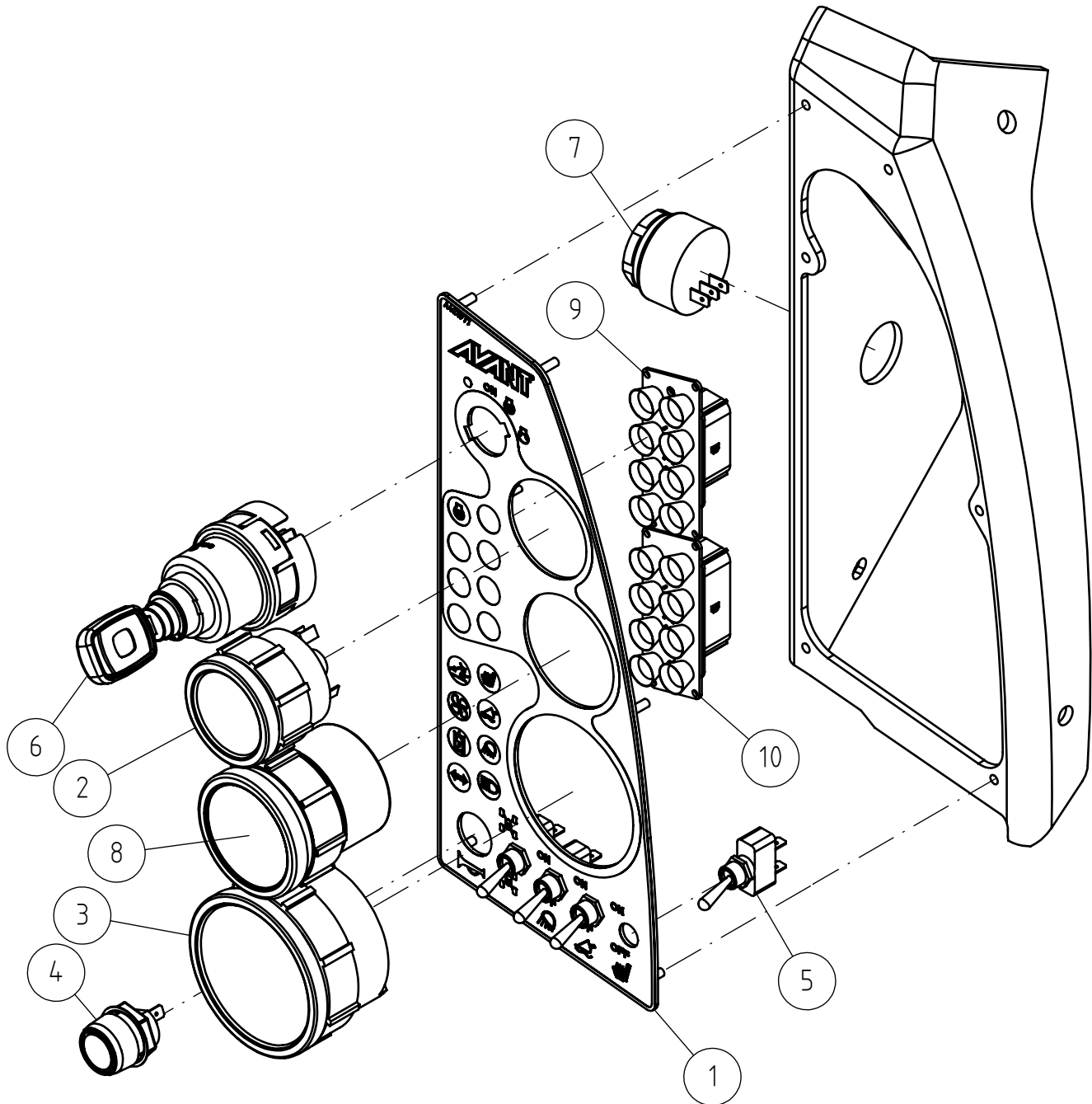
16.6.2023

A441357 ELECTRIC SYSTEM ASSEMBLY AVANT 700

REF	PART NO	QTY	DESCRIPTION	NOTES	PAGE
1	A21719	1	WIRE HARNESS 500-700 SERIES		-
2	A37221	1	WIRE HARNESS PARKING BRAKE/1-SPEED		-
3	A425379	1	MOUNTING BRACKET MAIN FUSE		-
4	74781	3	HEXAGONAL NUT M6 WITH FLANGE		-
5	74497	1	HEXAGONAL SCREW M6* 40 DIN 931		-
6	64141	1	BATTERY DISCONNECT SWITCH C-180216		-
6.1	64394	1	KEY, BATTERY DISCONNECT SWITCH C-180216		-
7	A419089	1	CABLE, BATTERY, RED, L=550		-
8	65071	1	CABLE, BATTERY, BLACK, L=280		-
9	A437910	1	CABLE, BLACK, L=530 35MM2		-
10	74573	3	PIPE CLAMP F25 MM		-
11	A435922	2	CARRIAGE BOLT M6*12 DIN603		-
12	74548	1	CABLE TIE 4,8*186 BLACK		-
13	66266	2	WORK LIGHT LED 1000 LUMEN 12V/8W		-
14	64096	1	TEMPERATURE SWITCH 60°C HYDRAULIC OIL		-
15	73047	1	USIT SEAL RING R/12"		-

16.6.2023

A423593 DASHBOARD ASSEMBLY



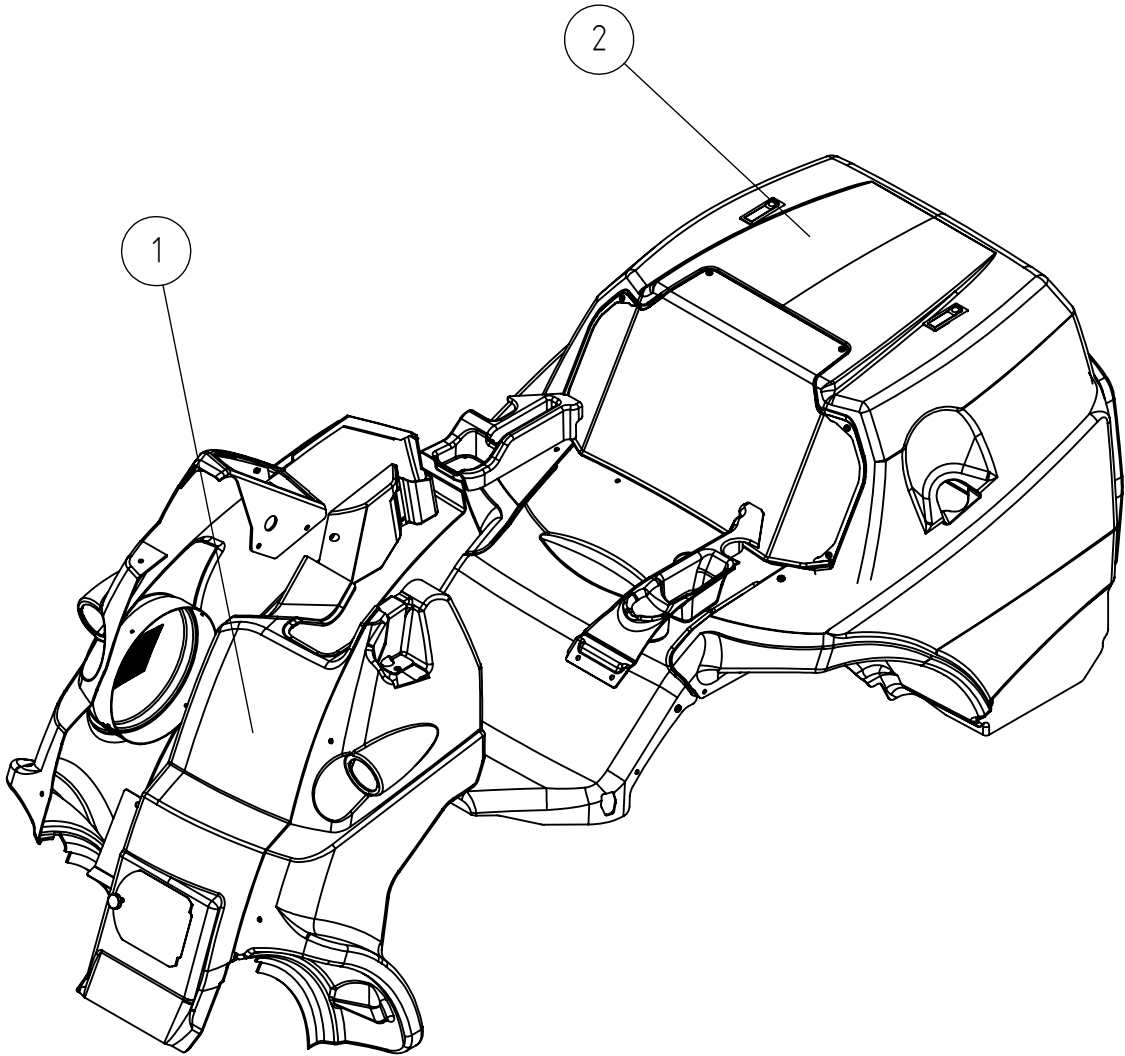
16.6.2023

A423593 DASHBOARD ASSEMBLY

REF	PART NO	QTY	DESCRIPTION	NOTES	PAGE
1	A423592	1	MOUNTING PLATE INDICATORS&GAUGES WITH OI		-
2	65122	1	FUEL GAUGE		-
3	65123	1	HOUR METER/TACHOMETER 500/600 SERIES		-
4	64074	1	PUSH BUTTON F22,5 SIGNAL HORN		-
5	64602	4	ROCKER SWITCH ON-OFF 2-POLE 250VAC/10A		-
6	66156	1	IGNITION SWITCH 12V/30A/60A IP65 COBO		-
6.1	64214	1	IGNITION KEY		-
7	A440326	1	ALARM BEEPER D28,5/D45 -H47		-
8	A430775	1	THERMOMETER WATER/HYDRAULIC OIL		-
9	A425304	1	INDICATOR LIGHTS DIESEL ENGINE KOHLER		-
10	A425315	1	INDICATOR LIGHTS E SERIES		-

16.6.2023

A448128 COVER PLATES FRONT & REAR FRAME ABS 700



16.6.2023

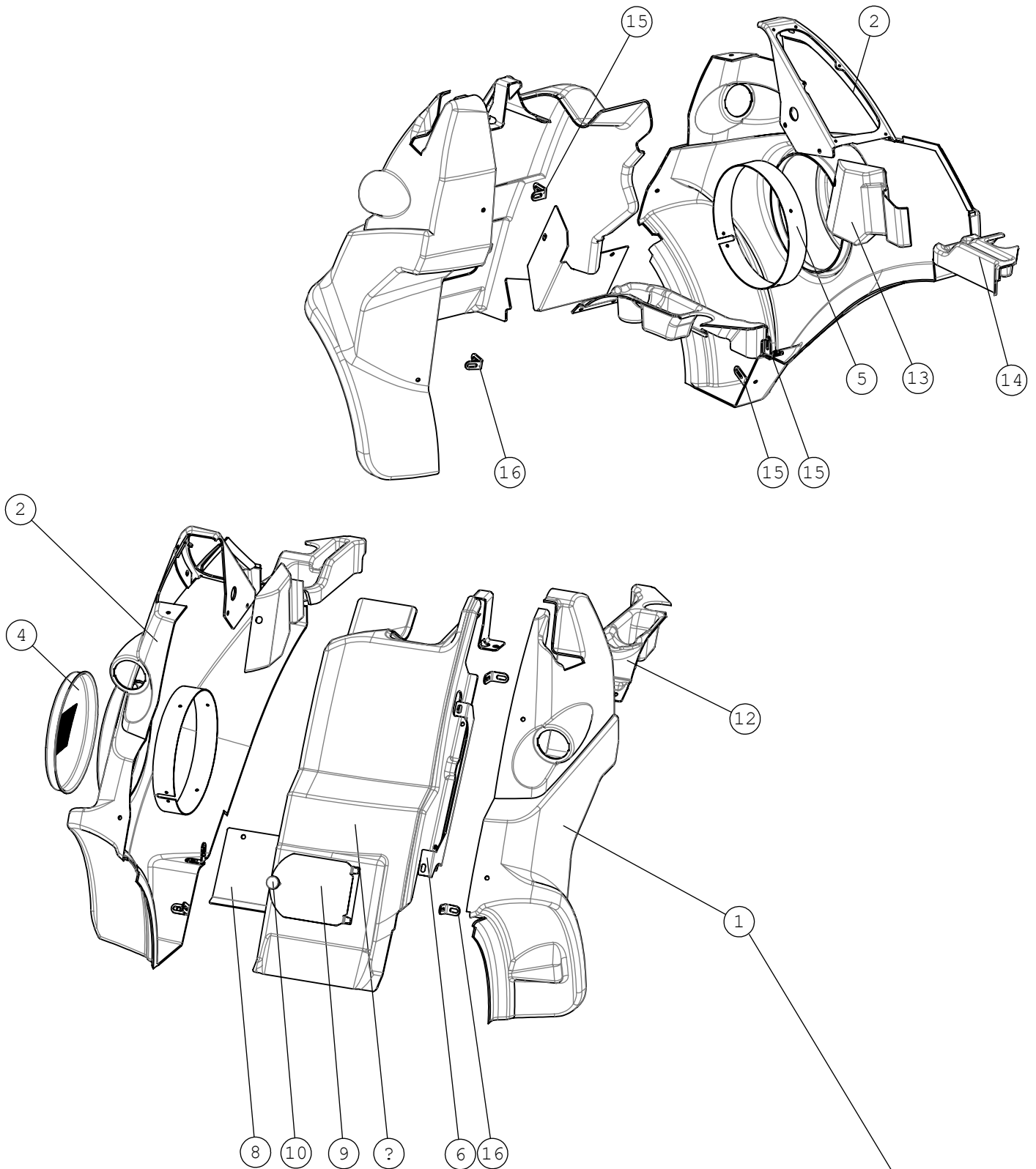
A448128 COVER PLATES FRONT & REAR FRAME ABS 700

REF	PART NO	QTY	DESCRIPTION	NOTES	PAGE
1*	A35804	1	COVER PLATES, KIT, FRONT FRAME, 700 ROPS	ABS	78
1**	A35954	1	COVER PLATES HD, KIT, FRONT FRAME 700	PC/HD, optional extra	80
2	A442266	1	COVER PLATES REAR FRAME ABS 700/800		82

16.6.2023

ABS

A35804 COVER PLATES, KIT, FRONT FRAME, 700 ROPS



Huom! Jos kuormaaja on varustettu L-ohjaamolla (A21592), käytä A416315
 Note! If loader is equipped with L cabin (A21592), use A416315

16.6.2023

ABS

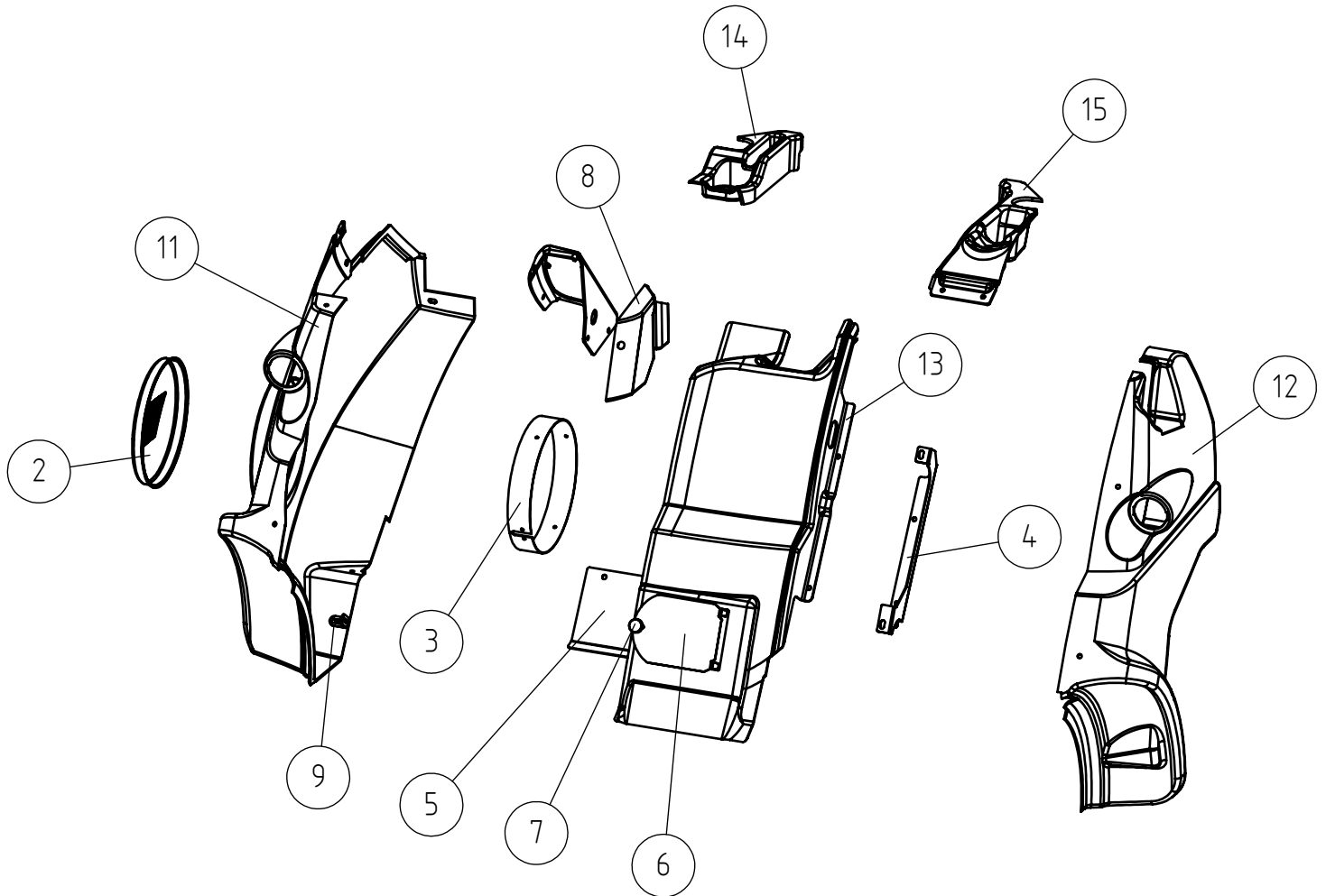
A35804 COVER PLATES, KIT, FRONT FRAME, 700 ROPS

REF	PART NO	QTY	DESCRIPTION	NOTES	PAGE
1	A415759	1	COVER PLATE, FRONT LEFT, 500/600		-
2	A415754	1	COVER PLATE, FRONT RIGHT, 500/600		-
3	A47719	1	PANEL, ABS		-
4	A412791	1	NET		-
5	A416174	1	RING, SHORT		-
6	A415765	1	BRACKET, FRONT LEFT, COVER PLATE		-
7	A412817	1	COVER PLATE, CENTER		-
8	A413408	1	PROTECTION PLATE, FRONT		-
9	A48000	1	LID		-
10	64941	1	FINGER SCREW M6*20 R3015RM620S		-
11	A416780	1	COVER PLATE, OPENING ROPS FRAME		-
12	A434360	1	CUP HOLDER, LEFT		-
13	A48251	1	PEN HOLDER		-
14	A431510	1	CUP HOLDER, RIGHT		-
15	A47756	3	ANGLE BRACKET 90°		-
16	A47677	1	BRACKET 110 DEGR, 600 SERIES COVER PLATE		-

16.6.2023

PC/HD, optional extra

A35954 COVER PLATES HD, KIT, FRONT FRAME 700



16.6.2023

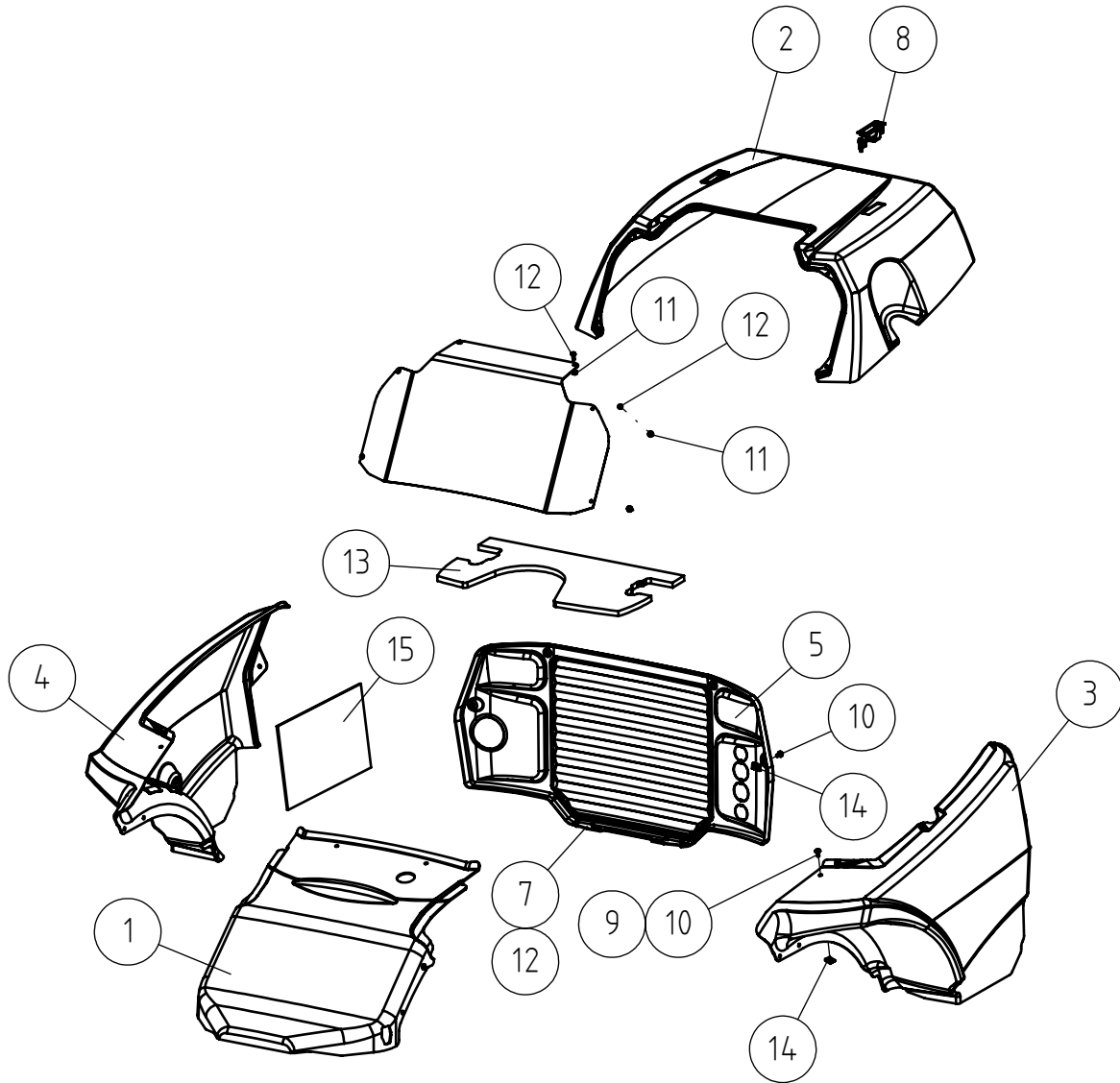
PC/HD, optional extra

A35954 COVER PLATES HD, KIT, FRONT FRAME 700

REF	PART NO	QTY	DESCRIPTION	NOTES	PAGE
1	A47719	1	PANEL, ABS		-
2	A412791	1	NET		-
3	A416174	1	RING, SHORT		-
4	A415765	1	BRACKET, FRONT LEFT, COVER PLATE		-
5	A413408	1	PROTECTION PLATE, FRONT		-
6	A48000	1	LID		-
7	64941	1	FINGER SCREW M6*20 R3015RM620S		-
8	A48251	1	PEN HOLDER		-
9	A47756	3	ANGLE BRACKET 90°		-
10	A47677	1	BRACKET 110 DEGR, 600 SERIES COVER PLATE		-
11	A416206	1	COVER PLATE HD POLYCARB FRONT RIGHT		-
12	A416212	1	COVER PLATE, HD, FRONT LEFT, 500/600		-
13	A415532	1	COVER PLATE HD POLYCARB FRONT CENTER		-
14	A431510	1	CUP HOLDER, RIGHT		-
15	A434360	1	CUP HOLDER, LEFT		-

16.6.2023

A442266 COVER PLATES REAR FRAME ABS 700/800



16.6.2023

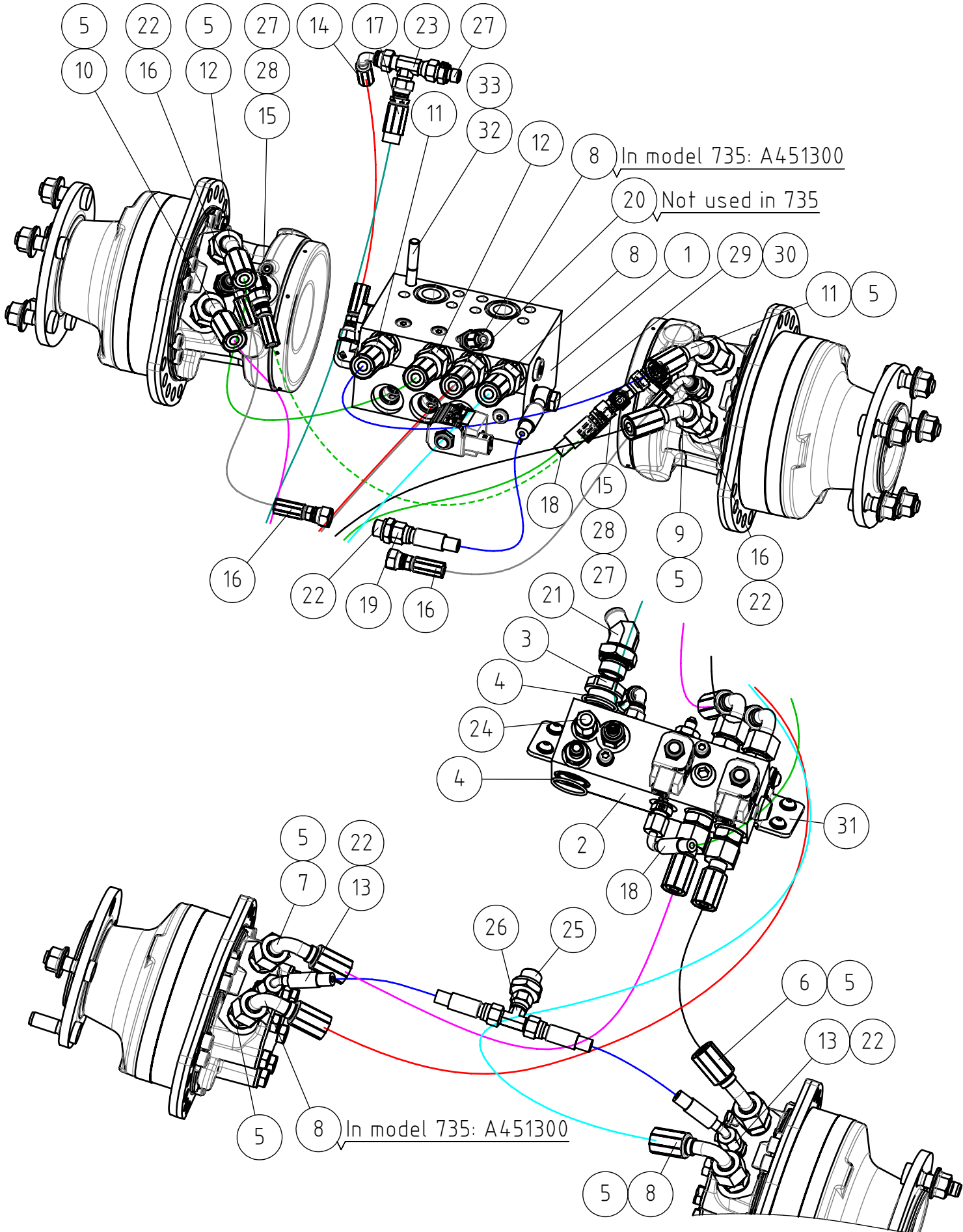
A442266 COVER PLATES REAR FRAME ABS 700/800

REF	PART NO	QTY	DESCRIPTION	NOTES	PAGE
1	A442264	1	COVER PLATE REAR CENTER FRONT ABS		-
2	A436436	1	COVER PLATE ENGINE, ABS, 800 STAGE V		-
3	A442294	1	COVER PLATE REAR LEFT ABS, 800 STAGE 5		-
4	A442263	1	COVER PLATE REAR RIGHT ABS, 800 STAGE 5		-
5	A437378	1	REAR GRILLE WITHOUT LIGHTS 700/800		-
6	A437107	1	FRONT MESH, COVER PLATE ENGINE 700/800		-
7	A446673	1	MOUNTING PLATE REAR GRILLE 700/800		-
8	65085	2	LATCH		-
9	74768	3	WASHER CONICAL M6		-
10	74767	3	RAISED COUNTERSUNK HEAD SCREW M6*20		-
11	74781	6	HEXAGONAL NUT M6 WITH FLANGE		-
12	A437544	10	THREAD-FORMING SCREW BLACK M6*16 DIN		-
13	A418781	1	SEALING PLATE		-
14	74807	3	SPEED NUT M6, FOR 0.5-4.0 MM PLATE		-
15	A439798	1	HEAT SHIELD ON REAR COVER PLATE 700/800		-

16.6.2023

DKOS fittings from 2022 week 26

A452920 HYDR. HOSES DRIVE, WITH ANTI SLIP 700



16.6.2023

DKOS fittings from 2022 week 26

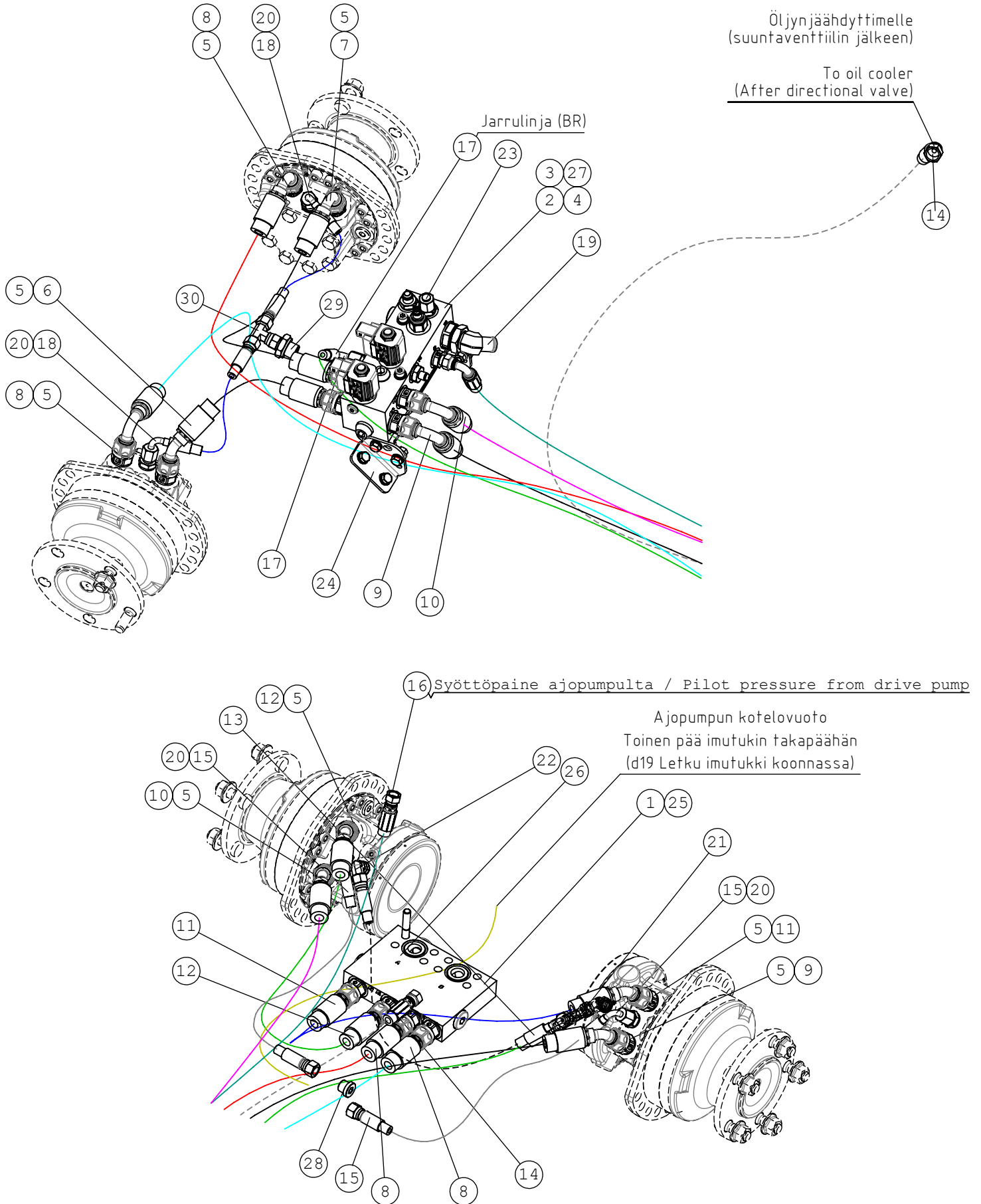
A452920 HYDR. HOSES DRIVE, WITH ANTI SLIP 700

REF	PART NO	QTY	DESCRIPTION	NOTES	PAGE
1	A451904	1	HYDRAULIC MANIFOLD ANTI SLIP VALVE		-
2	A454023	1	HYDRAULIC MANIFOLD 1-SPEED DRIVE RELEASE	DKOS fittings from 2022 week 26	90
3	A421825	1	BANJO BOLT, HYDR. MANIFOLD		-
4	75112	2	O-RING NBR F 32,99*2,62 90SH		-
5	A449892	8	BASIC FITTING G1/2" M24*1,5		-
6	A451297	1	HYDR. HOSE L=330		-
7	A451295	1	HYDR. HOSE L=630		-
8	A451425	2	HYDR. HOSE L=1800		-
9	A451428	1	HYDR. HOSE L=1270		-
10	A451426	1	HYDR. HOSE L=1330		-
11	A451303	1	HYDR. HOSE L=800		-
12	A451429	1	HYDR. HOSE L=670		-
13	A429297	2	HYDR. HOSE L=250		-
14	A410094	1	HYDR. HOSE L=350		-
15	A415127	1	HYDR. HOSE L=580		-
16	A410096	2	HYDR. HOSE L=450		-
17	A414045	1	HYDR. HOSE L=1300		-
18	A410092	1	HYDR. HOSE L=1550		-
19	A428736	1	HYDR. HOSE L=400		-
20	A434555	1	HYDR. HOSE L=2200		-
21	66361	1	HOSE BARB 45° R3/4"UK - 20MM		-
22	64041	5	BASIC FITTING F40XS10-3/8 /8		-
23	64078	2	L-FITTING BODY R6XS10		-
24	64232	1	FITTING HEAD FNTXS10		-
25	64040	1	BASIC FITTING F40XS10-1/2 /2		-
26	64070	1	T FITTING S6XS10		-
27	64059	3	BASIC FITTING F40XS10-1/4		-
28	64043	2	ELBOW FITTING 90° C6XS10		-
29	64557	1	BANJO BOLT R 1/4"		-
30	73757	2	USIT COMPRESSION R1/4"		-
31	A37332	1	MOUNTING PLATE HYDRAULIC MANIFOLD, ASSEM		-
32	A452931	8	HEXAGONAL HEAD SCREW M10*130 12.9		-
33	A434424	8	SAFETY WASHER M10 3/8"		-

16.6.2023

E03 fittings before 2022 week 26

A37179 HYDR. HOSES, DRIVE, 735/745/755I OPTIDR



16.6.2023

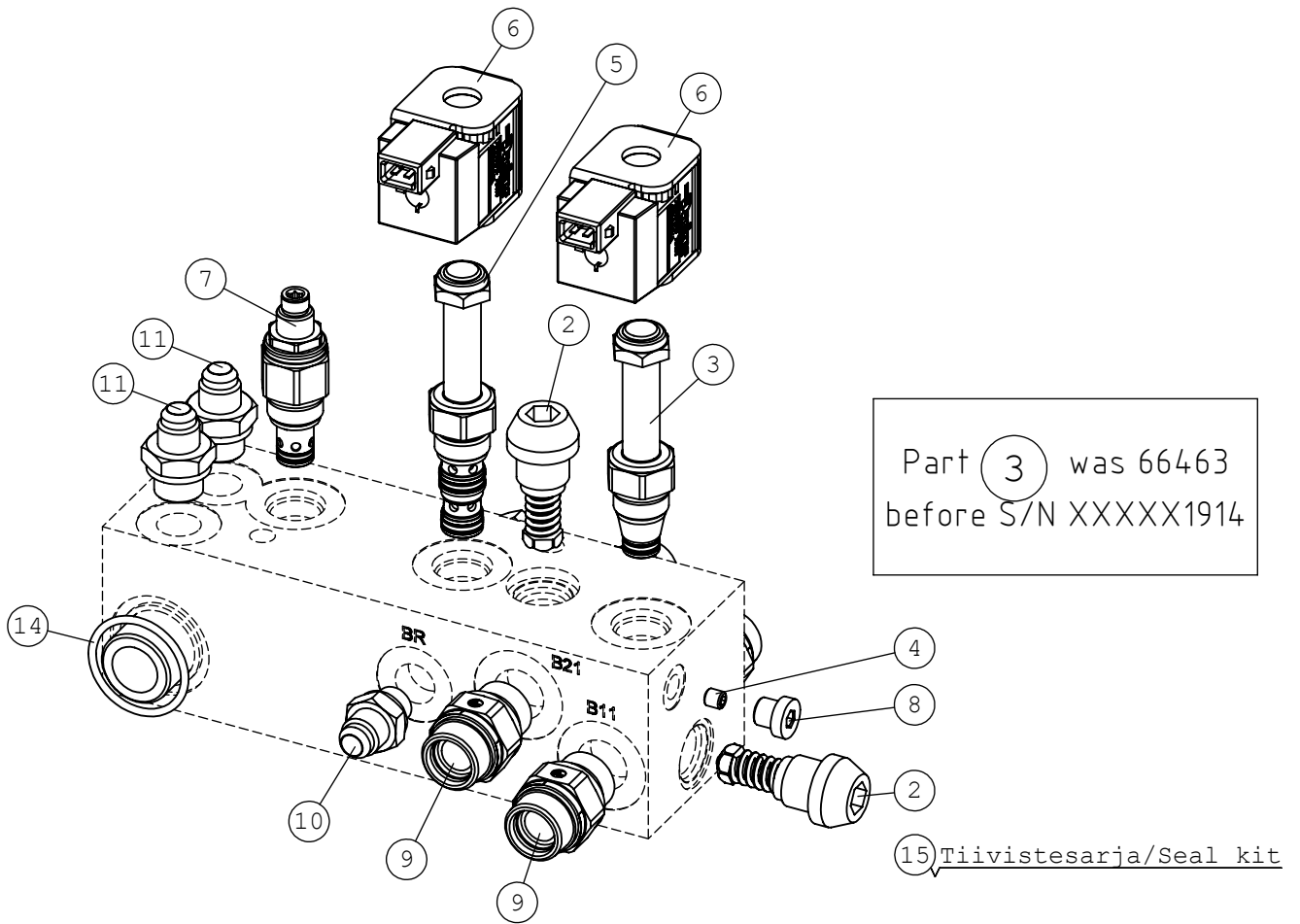
E03 fittings before 2022 week 26

A37179 HYDR. HOSES, DRIVE, 735/745/755I OPTIDR

REF	PART NO	QTY	DESCRIPTION	NOTES	PAGE
1	A421618	1	HYDRAULIC MANIFOLD, DRIVE		-
2	A421616	1	HYDRAULIC MANIFOLD DRIVE RELEASE 1-SPEED		88
3	A421825	1	BANJO BOLT, HYDR. MANIFOLD		-
4	75112	2	O-RING NBR F 32,99*2,62 90SH		-
5	66347	8	BASIC FITTING EO-3 R1/2" - EO3 F24 /2		-
6	A421296	1	HYDR. HOSE L=300		-
7	A421955	1	HYDR. HOSE L=630		-
8	A421742	2	HYDR. HOSE L=1770		-
9	A421751	1	HYDR. HOSE L=1270		-
10	A421988	1	HYDR. HOSE L=1270		-
11	A421732	1	HYDR. HOSE L=800		-
12	A421741	1	HYDR. HOSE L=650		-
13	A415127	1	HYDR. HOSE L=580		-
14	A421905	1	HYDR. HOSE L=1780		-
15	A410096	2	HYDR. HOSE L=450		-
16	A414045	1	HYDR. HOSE L=1300		-
17	A410092	1	HYDR. HOSE L=1550		-
18	A410165	2	HYDR. HOSE L=300		-
19	66361	1	HOSE BARB 45° R3/4"UK - 20MM		-
20	64041	4	BASIC FITTING F40XS10-3/8 /8		-
21	64078	1	L-FITTING BODY R6XS10		-
22	64087	2	ELBOW FITTING 90 DEGR. /4#		-
23	64232	1	FITTING HEAD FNTXS10		-
24	A37332	1	MOUNTING PLATE HYDRAULIC MANIFOLD, ASSEM		-
25	75121	8	HEXAGONAL HEAD SCREW M10*80 12.9 DIN912		-
26	A434424	8	SAFETY WASHER M10 3/8"		-
27	A37221	1	WIRE HARNESS PARKING BRAKE/1-SPEED		-
28	74411	1	HEXAGONAL PLUG HF 3/8" HTUNG		-
29	64040	1	BASIC FITTING F40XS10-1/2 /2		-
30	64070	1	T FITTING S6XS10		-

16.6.2023

A421616 HYDRAULIC MANIFOLD DRIVE RELEASE 1-SPEED



Part 3 was 66463
before S/N XXXXX1914

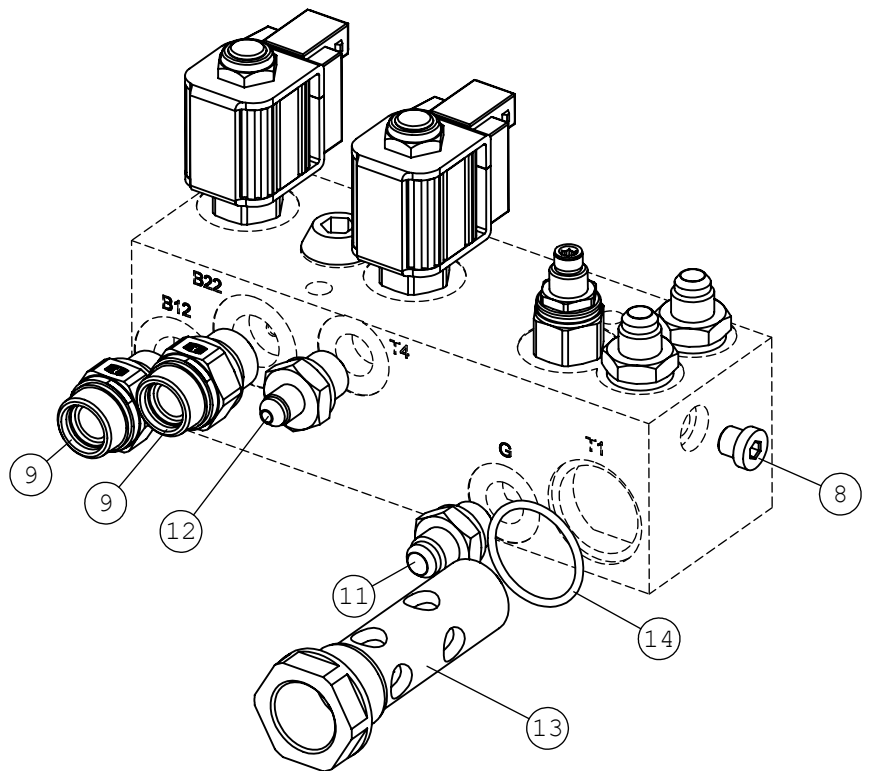
15 Tiivistesarja/Seal kit

HUOM!
Nimike A421616 sisältää
osat 2 - 12

Tiivistesarja 15 sisältää
osien 2, 3, 5 ja 7
tiivisteet

NOTE!
Item A421616 includes
parts 2 - 12

Seal kit 15 includes seals
for parts 2, 3, 5
and 7



16.6.2023

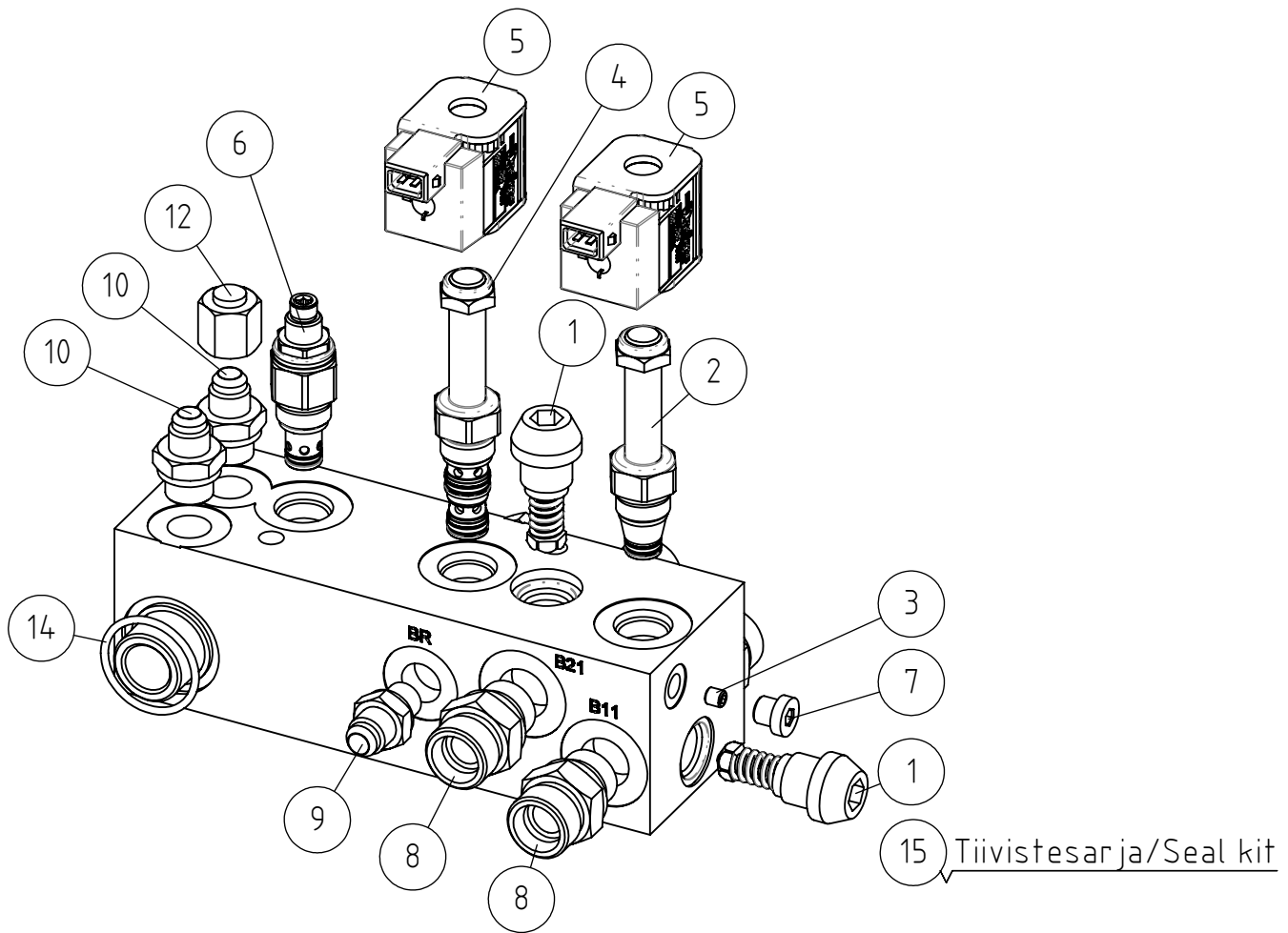
A421616 HYDRAULIC MANIFOLD DRIVE RELEASE 1-SPEED

REF	PART NO	QTY	DESCRIPTION	NOTES	PAGE
1	A421616	1	HYDRAULIC MANIFOLD DRIVE RELEASE 1-SPEED		88
2	A428734	2	PRESSURE RELIEF VALVE CARTRIDGE 380BAR		-
3	A432309	1	VALVE CARTRIDGE DRIVE RELEASE OPTIDRIVE		-
4	A428738	1	FLOW RESTRICTOR M6/1,0MM		-
5	A428584	1	VALVE CARTRIDGE SPOOL VALVE 3/2		-
6	66452	2	SOLENOID 12VDC/19W		-
7	A428735	1	PRESSURE RELIEF VALVE CARTRIDGE 30BAR		-
8	64407	2	HEXAGONAL PLUG R 1/8" WITH PACKING		-
9	66347	4	BASIC FITTING EO-3 R1/2" - EO3 F24 /2		-
10	64059	1	BASIC FITTING F40XS10-1/4		-
11	64041	3	BASIC FITTING F40XS10-3/8 /8		-
12	64313	1	BASIC FITTING F40XS6-3/8"		-
13	A421825	1	BANJO BOLT, HYDR. MANIFOLD		-
14	75112	2	O-RING NBR F 32,99*2,62 90SH		-
15	A428793	1	SEAL KIT HYDRAULIC MANIFOLD A421616		-

16.6.2023

DKOS fittings from 2022 week 26

A454023 HYDRAULIC MANIFOLD 1-SPEED DRIVE RELEASE

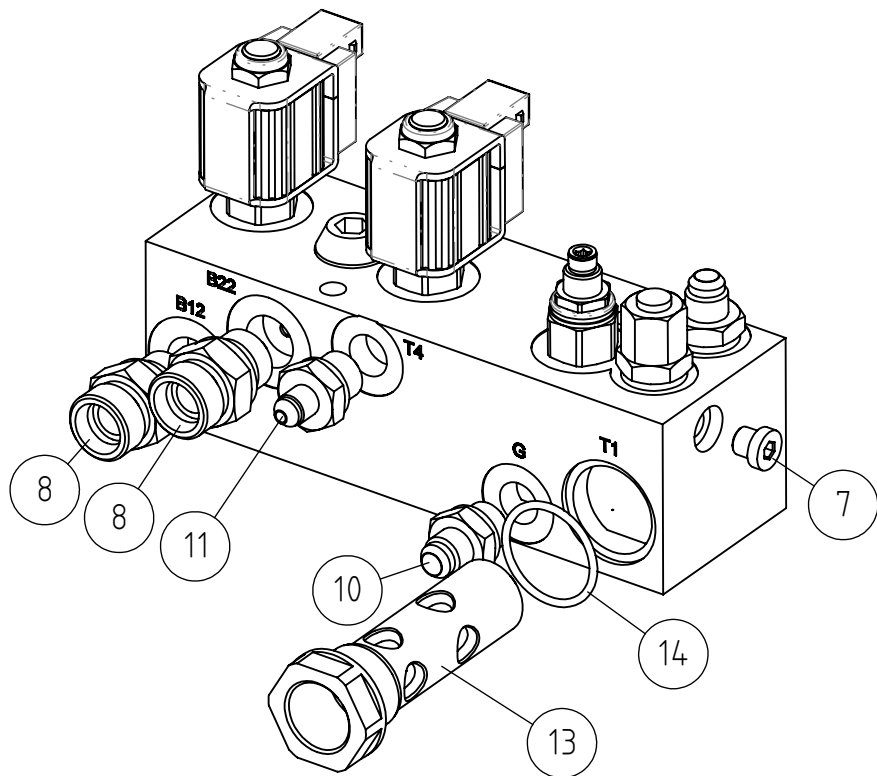


HUOM!
 Nimike A454023 sisältää
 osat (1) - (12)

Tiivistesarja (15) sisältää
 osien (1), (2), (4) ja (6)
 tiivisteet

NOTE!
 Item A454023 includes
 parts (1) - (12)

Seal kit [#error: broken link](#) includes
 seals for parts (1), (2), (4)
 and (6)



16.6.2023

DKOS fittings from 2022 week 26

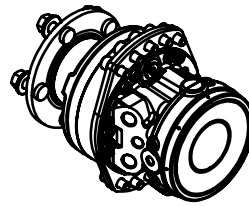
A454023 HYDRAULIC MANIFOLD 1-SPEED DRIVE RELEASE

REF	PART NO	QTY	DESCRIPTION	NOTES	PAGE
1	A428734	2	PRESSURE RELIEF VALVE CARTRIDGE 380BAR		-
2	A432309	1	VALVE CARTRIDGE DRIVE RELEASE OPTIDRIVE		-
3	A428738	1	FLOW RESTRICTOR M6/1,0MM		-
4	A428584	1	VALVE CARTRIDGE SPOOL VALVE 3/2		-
5	66452	2	SOLENOID 12VDC/19W		-
6	A428735	1	PRESSURE RELIEF VALVE CARTRIDGE 30BAR		-
7	64407	2	HEXAGONAL PLUG R 1/8" WITH PACKING		-
8	A449892	4	BASIC FITTING G1/2" M24*1,5		-
9	64059	1	BASIC FITTING F40XS10-1/4		-
10	64041	3	BASIC FITTING F40XS10-3/8 /8		-
11	64313	1	BASIC FITTING F40XS6-3/8"		-
12	64232	1	FITTING HEAD FNTXS10		-
13	A421825	1	BANJO BOLT, HYDR. MANIFOLD		-
14	75112	2	O-RING NBR F 32,99*2,62 90SH		-
15	A428793	1	SEAL KIT HYDRAULIC MANIFOLD A421616		-

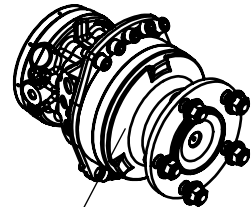
16.6.2023

A445009 HYDRAULIC MOTOR ASSEMBLY 398 CCM POCLAIN

OIKEA TAKAMOOTTORI
Right rear drivemotor

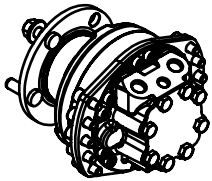


VASEN TAKAMOOTTORI
Left rear drivemotor

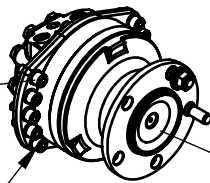


2

OIKEA ETUMOOTTORI
Right front drivemotor



VASEN ETUMOOTTORI
Left front drivemotor



4 3

1

M12 8.8
Kiristysmomentti
Tightening torque
91Nm
Kierrelukite
Threadlocking compound

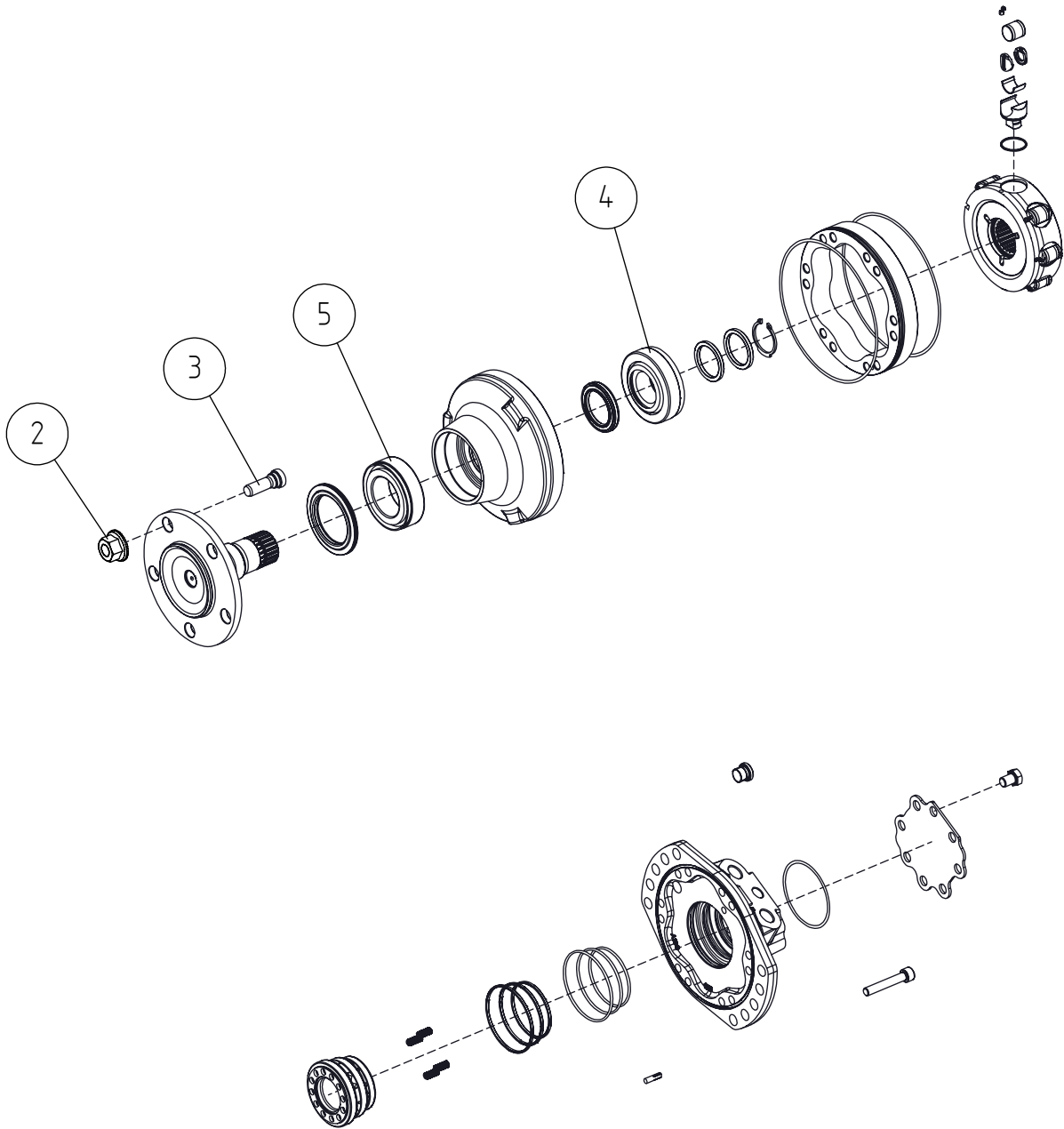
16.6.2023

A445009 HYDRAULIC MOTOR ASSEMBLY 398 CCM POCLAIN

REF	PART NO	QTY	DESCRIPTION	NOTES	PAGE
1	65670	2	HYDRAULIC MOTOR MSE02 398CCM		94
2	65671	2	HYDRAULIC MOTOR B MSE02 398CCM W. BRAKE		96
3	74846	40	HEXAGONAL HEAD SCREW M12*30 DIN912		-
4	74532	40	WASHER NORDLOCK NL12		-

16.6.2023

65670 HYDRAULIC MOTOR MSE02 398CCM



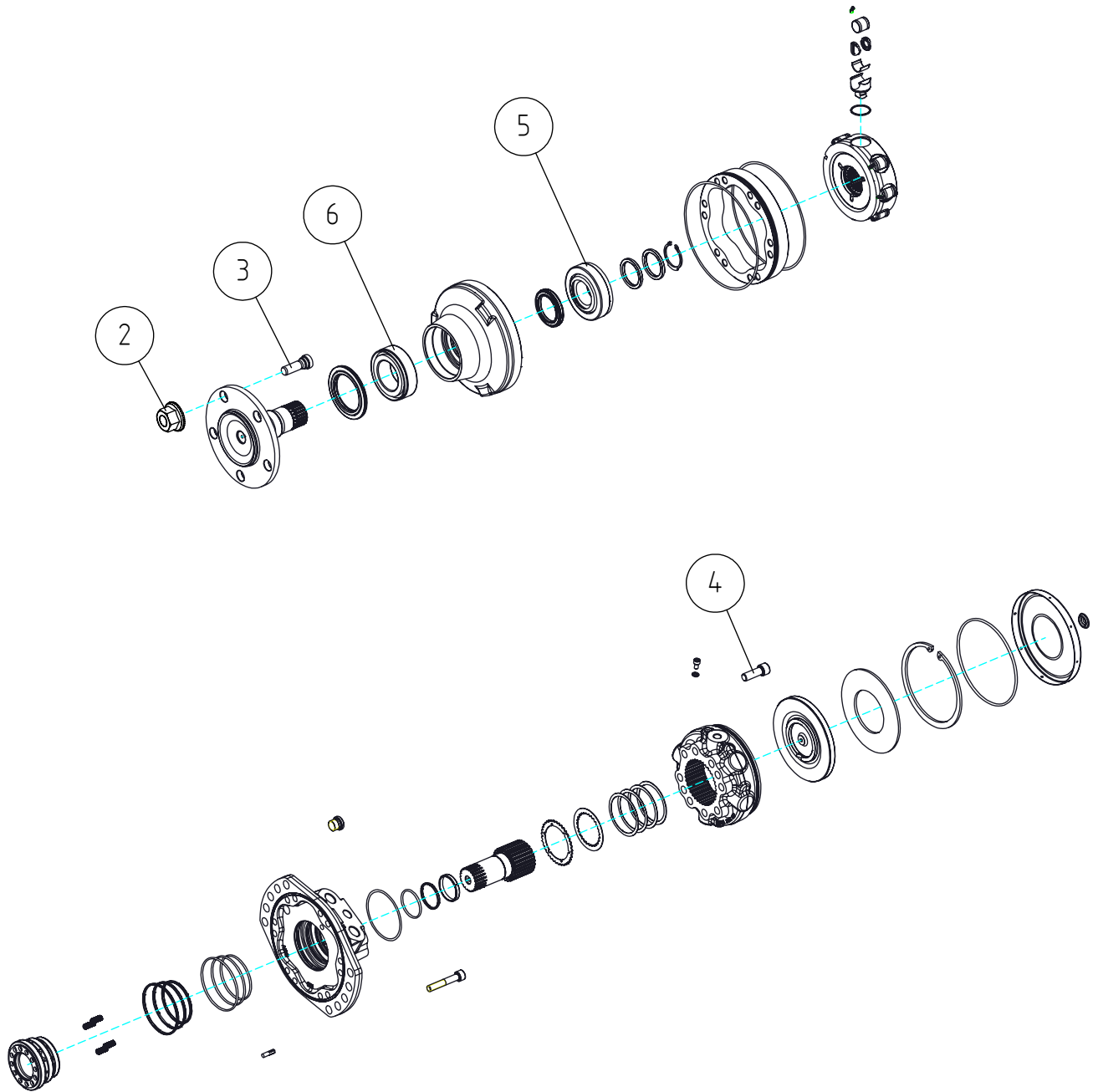
16.6.2023

65670 HYDRAULIC MOTOR MSE02 398CCM

REF	PART NO	QTY	DESCRIPTION	NOTES	PAGE
1	65670	1	HYDRAULIC MOTOR MSE02 398CCM		94
2	74866	1	WHEEL NUT M14*1.5 AV22 POCLAIN		-
3	75143	1	WHEEL BOLT M14*1.5-45 12.9 POCLAIN		-
4	A452731	1	CONICAL ROLLER BEARING 31308-C1 POCLAIN		-
5	A452732	1	CONICAL ROLLER BEARING 33110-C1 POCLAIN		-
6	A448105	1	SEAL KIT COMPLETE POCLAIN HYDR. MOTOR		-
7	A448120	1	SEAL KIT POCLAIN REPAIR KIT HYDR. MOTOR		-
8	A448122	1	SEAL KIT POCLAIN OPENING KIT HYDR. MOTOR		-

16.6.2023

65671 HYDRAULIC MOTOR B MSE02 398CCM W. BRAKE



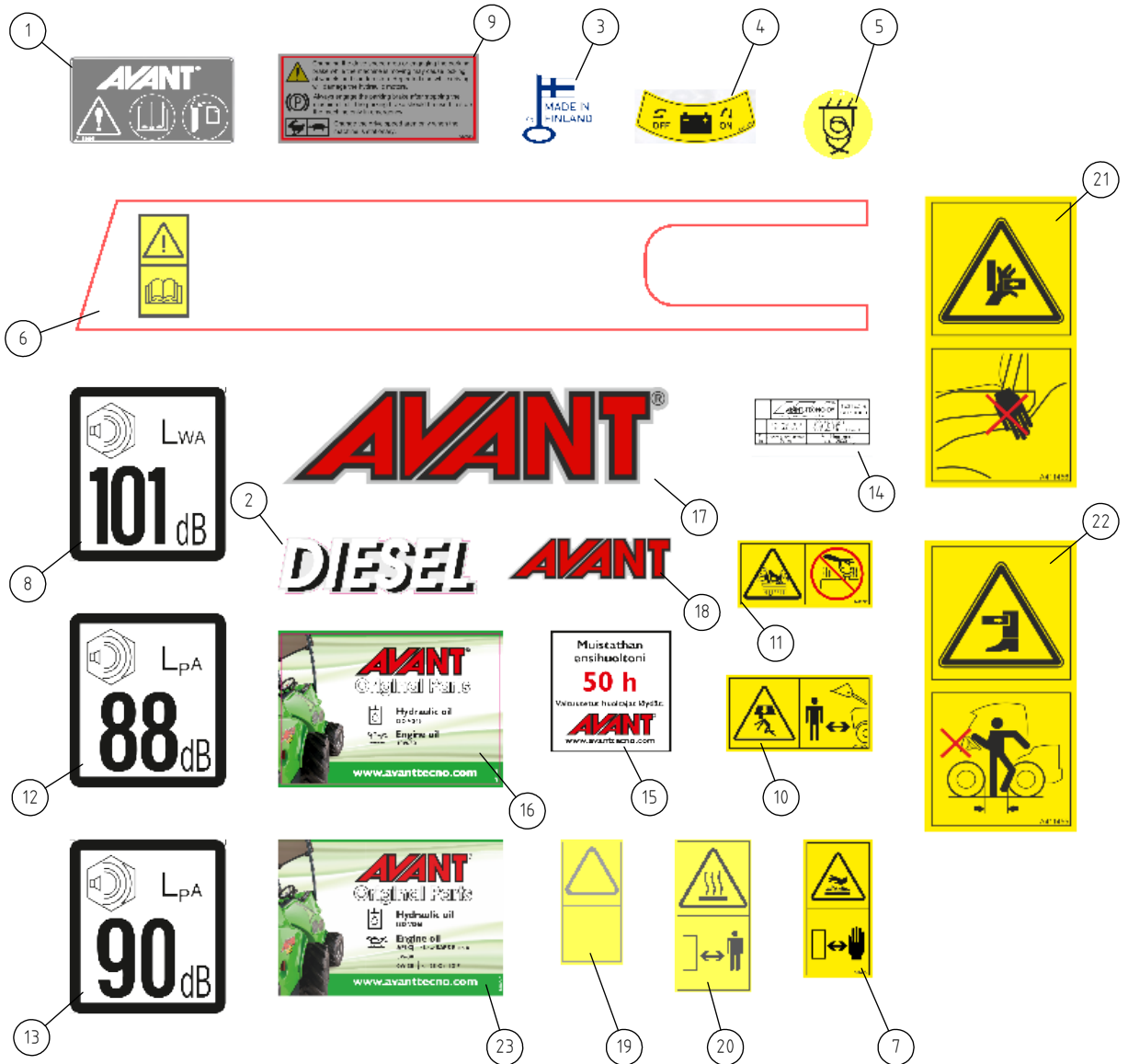
16.6.2023

65671 HYDRAULIC MOTOR B MSE02 398CCM W. BRAKE

REF	PART NO	QTY	DESCRIPTION	NOTES	PAGE
1	65671	1	HYDRAULIC MOTOR B MSE02 398CCM W. BRAKE		96
2	74866	1	WHEEL NUT M14*1.5 AV22 POCLAIN		-
3	75143	1	WHEEL BOLT M14*1.5-45 12.9 POCLAIN		-
4	A449527	1	HEXAGONAL HEAD SCREW M10*40 12.9 DIN 912		-
5	A452731	1	CONICAL ROLLER BEARING 31308-C1 POCLAIN		-
6	A452732	1	CONICAL ROLLER BEARING 33110-C1 POCLAIN		-
7	A448123	1	SEAL KIT COMPLETE POCLAIN HYDR. MOTOR		-
8	A448120	1	SEAL KIT POCLAIN REPAIR KIT HYDR. MOTOR		-
9	A448122	1	SEAL KIT POCLAIN OPENING KIT HYDR. MOTOR		-

16.6.2023

A428313 DECAL KIT 400-800 SERIES



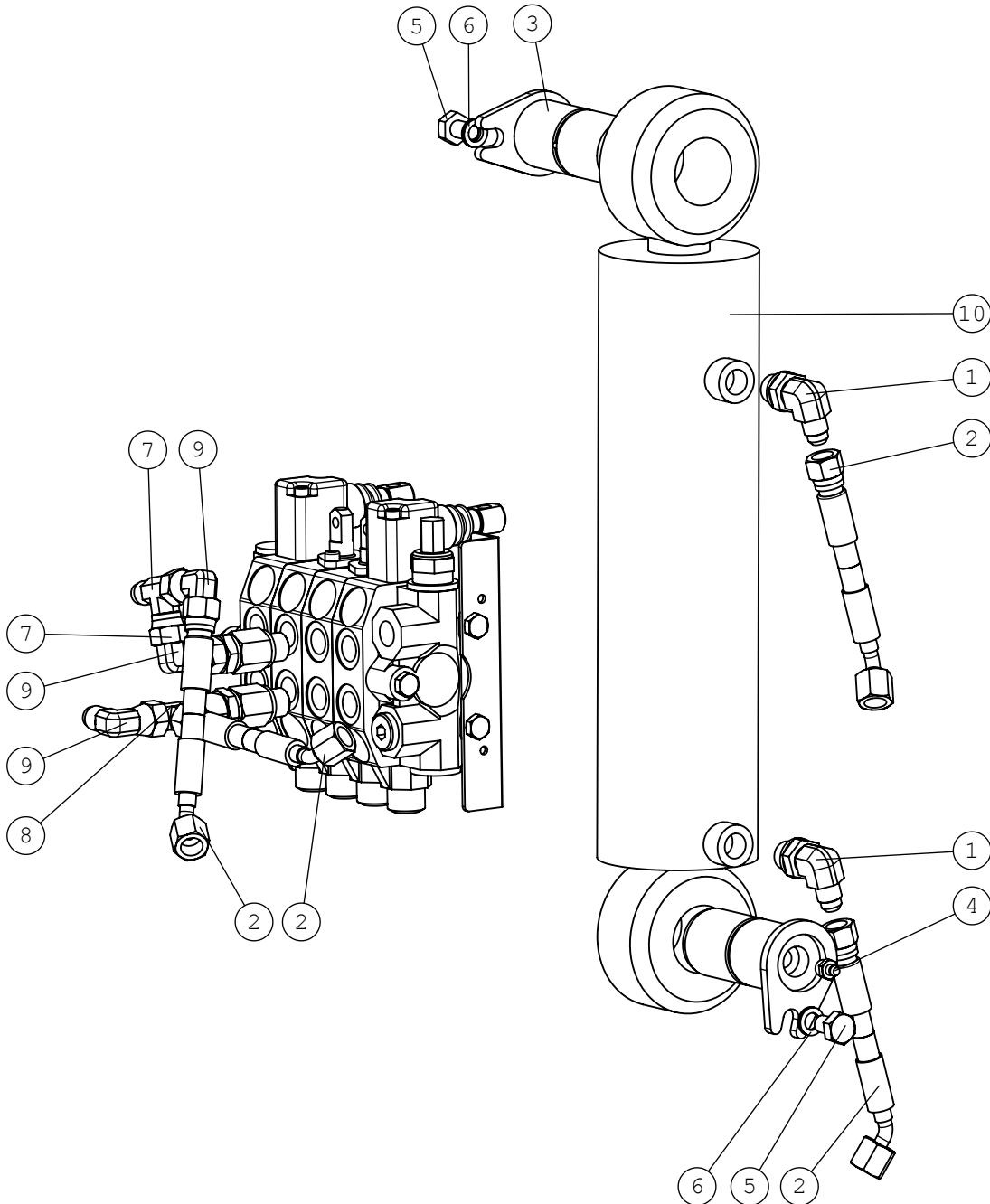
16.6.2023

A428313 DECAL KIT 400-800 SERIES

REF	PART NO	QTY	DESCRIPTION	NOTES	PAGE
1	A418695	1	DECAL OPERATORS MANUAL BOX		-
2	A43594	1	DECAL "DIESEL" 32*115 BLACK-WHITE/CLEAR		-
3	A429424	1	DECAL "MADE IN FINLAND"		-
4	A417404	1	DECAL BATTERY DISCONNECT SWITCH		-
5	A414283	4	DECAL PICTOGRAM TIE DOWN POINT		-
6	A414690	1	DECAL FOOTWELL "ALWAYS PERFORM A		-
7	A417270	1	DECAL WARNING HOT SURFACE		-
8	A411047	1	DECAL "LWA 101" 90*100 BLACK/WHITE		-
9	A420357	1	DECAL FIN JARRU/VAIHDE		-
10	A417273	1	DECAL PICTOGR NEVER GO UNDER LIFTED BOOM		-
11	A417272	1	DECAL WARNING RADIATOR PRESSURE		-
12	A43600	1	DECAL LPA88 90*100 BLACK/WHITE		-
13	A411217	1	DECAL "LPA 90" 90*100 BLACK/WHITE		-
14	A49517	1	TYPE PLATE A48906 FOPS 39*90		-
15	A410924	1	DECAL ENSIHUOLTO		-
16	A415780	1	DECAL AVANT HYDRAULIC OIL/ENGINE OIL		-
17	65024	1	DECAL AVANT® EMBOSSED 56*225MM RED		-
18	65649	1	DECAL AVANT® EMBOSSED 25*95MM		-
19	A417271	1	DECAL PICTOGRAM RADIATOR STOP ENGINE		-
20	A414244	1	DECAL, WARNING HOT SURFACES		-
21	A411456	1	DECAL PICTOGRAM CRUSHING HAZ HANDS ARTIC		-
22	A411455	1	DECAL PICTOGRAM CRUSHING HAZARD LEGS		-
23	A420043	1	DECAL "HYDRAULIC OIL ENGINE OIL"		-

16.6.2023

A35007 BOOM SELF LEVELLING, 700 SERIES



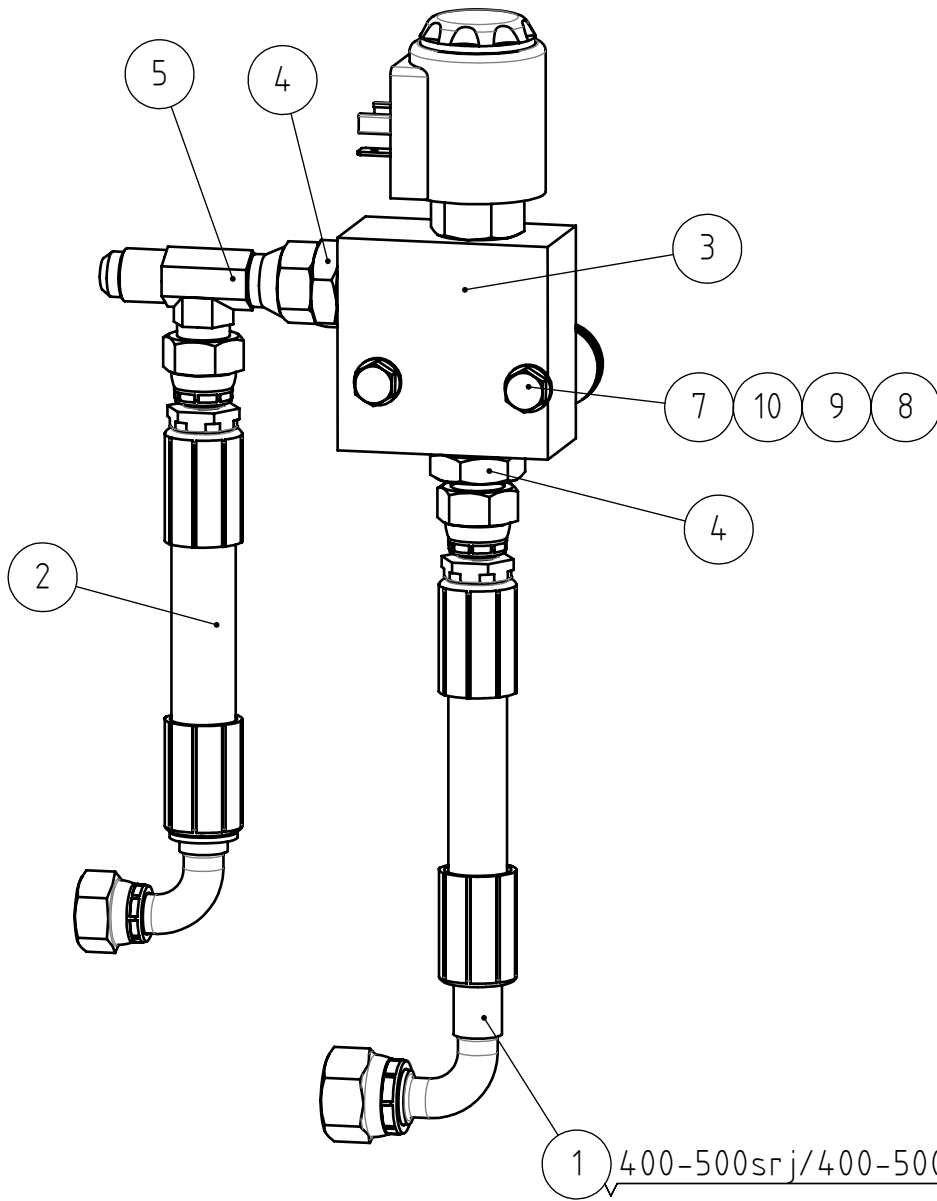
16.6.2023

A35007 BOOM SELF LEVELLING, 700 SERIES

REF	PART NO	QTY	DESCRIPTION	NOTES	PAGE
1	64044	2	ELBOW FITTING 90° C40XS10-3/8 /8		-
2	A47640	2	HYDR. HOSE L=2050 2LW-04		-
3	A47041	2	PIVON PIN F40-90		-
4	72798	2	GREASE NIPPLE R 1/8" STRAIGHT		-
5	72147	2	HEXAGONAL SCREW M 10*16 DIN 933		-
6	74531	2	SPACER NORDLOCK M10, PAIR		-
7	64070	1	T FITTING S6XS10		-
8	64078	1	L-FITTING BODY R6XS10		-
9	64043	3	ELBOW FITTING 90° C6XS10		-
10	A412914	1	HYDR. CYLINDER F80/F36-235 SELF LEVELLI		-
10.1	A418436	1	SEAL KIT, 80/36 CYLINDER, SELF LEV 700		-

16.6.2023

A47773 BOOM FLOATING, MACHINE WITHOUT SELF

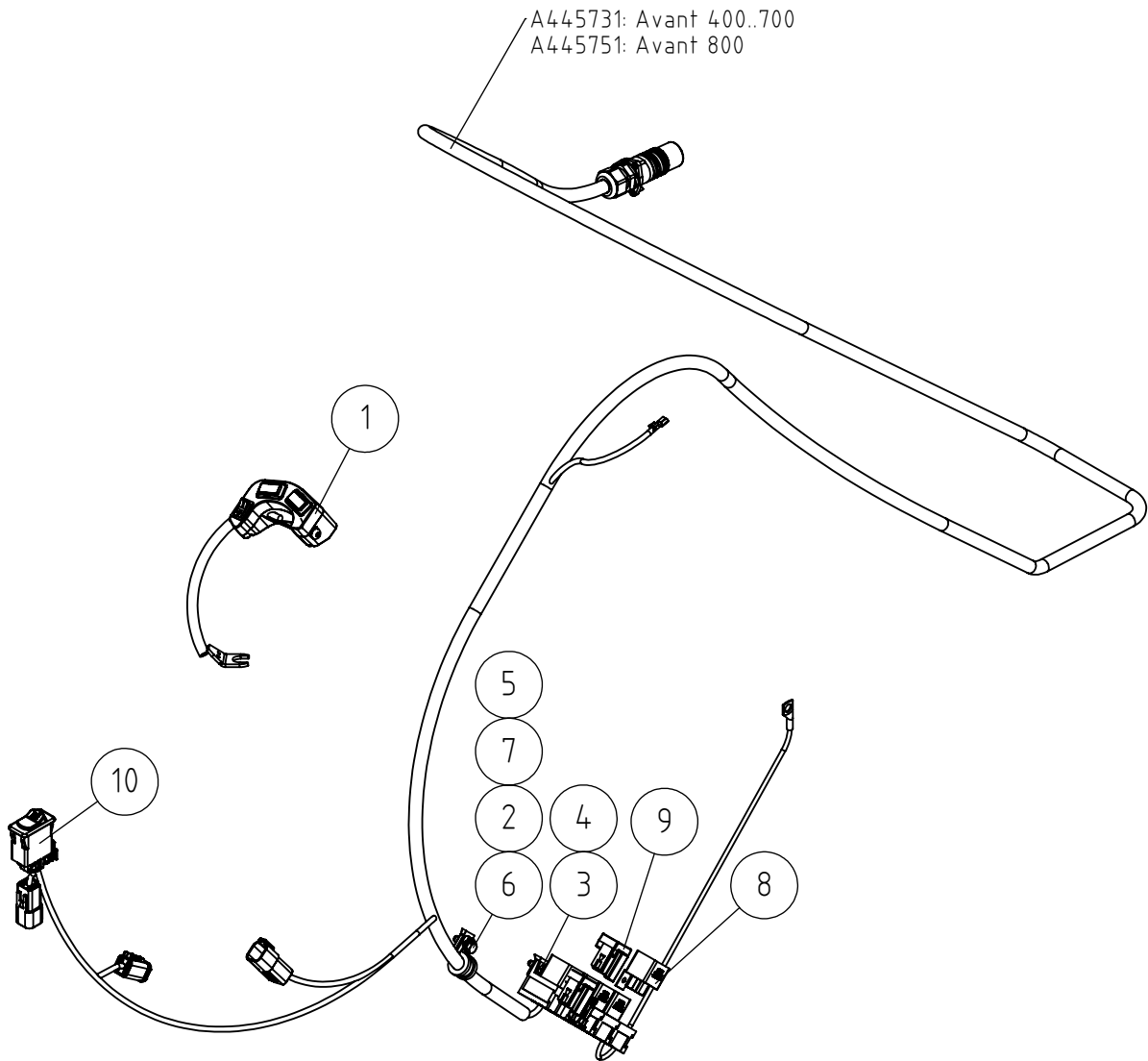


16.6.2023

A47773 BOOM FLOATING, MACHINE WITHOUT SELF

REF	PART NO	QTY	DESCRIPTION	NOTES	PAGE
1	A445641	1	HYDR. HOSE L=840		-
2	A445095	1	HYDR. HOSE L=880		-
3	64676	1	SOLENOID VALVE WKO8W-01-SB3-N-12DG		-
4	64041	2	BASIC FITTING F40XS10-3/8 /8		-
5	64078	1	L-FITTING BODY R6XS10		-
6	A47841	1	WIRE HARNESS, BOOM FLOAT 600 SERIES		-
7	72125	2	HEXAGONAL SCREW M6* 60 DIN 921		-
8	72318	2	HEXAGONAL NUT M 6 DIN 985 NYLOC		-
9	71681	6	WASHER M6 DIN 440		-
10	71680	2	WASHER M6 DIN 125		-

A36878 ATTACHMENT CONTROL SWITCH PACK



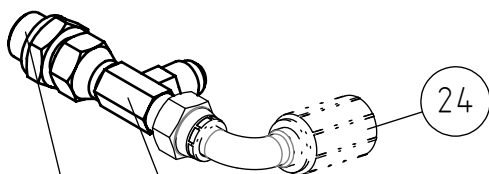
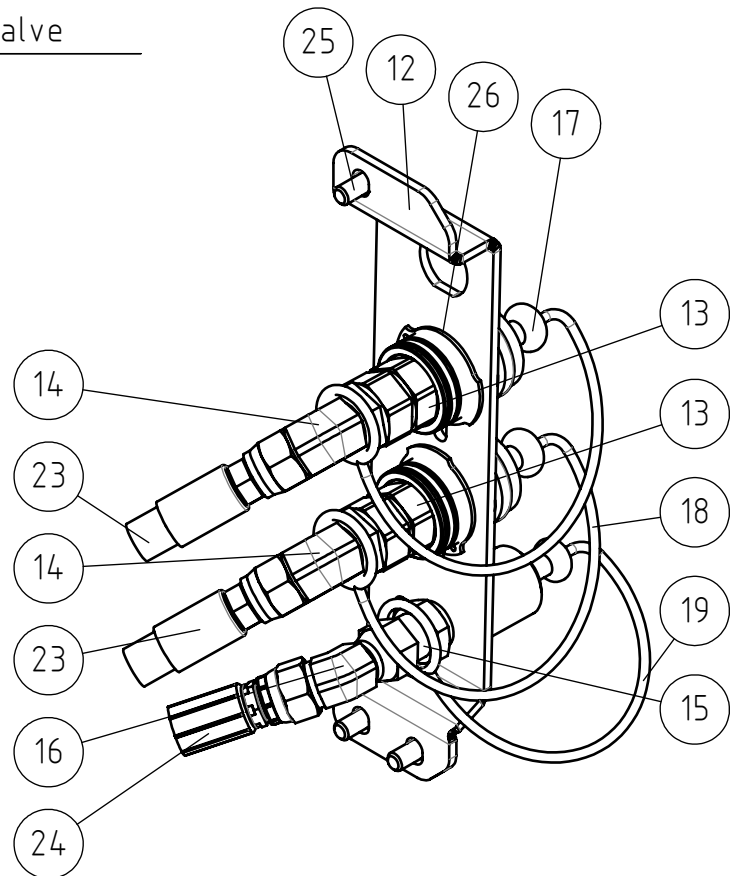
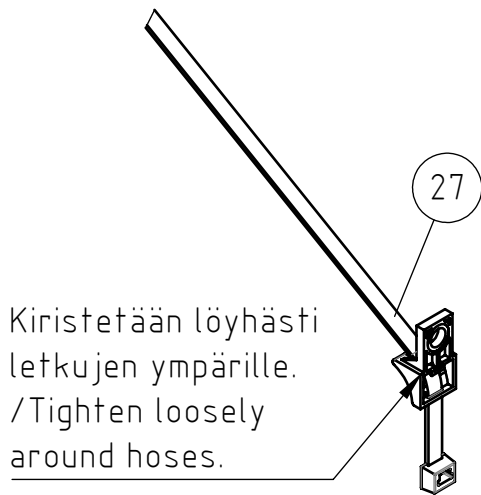
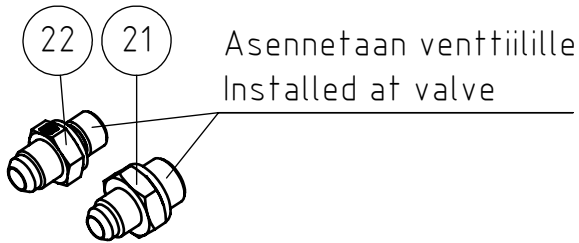
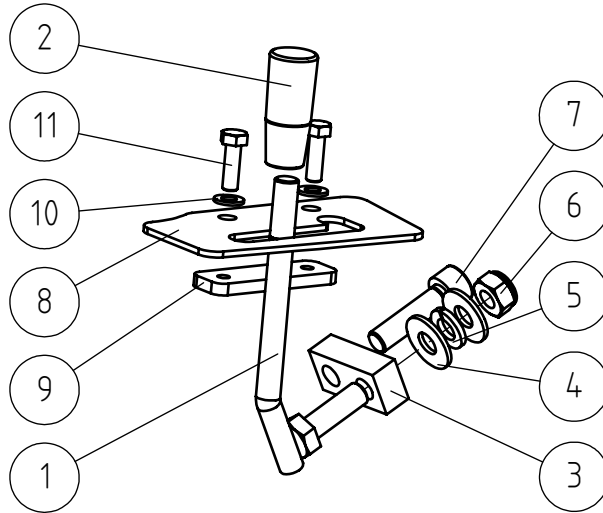
16.6.2023

A36878 ATTACHMENT CONTROL SWITCH PACK

REF	PART NO	QTY	DESCRIPTION	NOTES	PAGE
1	A34716	1	SWITCH PACK		-
1.1	65431	1	ROCKER SWITCH 0-1, BLACK, 180.1146		-
1.2	65408	2	ROCKER SWITCH, BLACK, JOYSTICK		-
2	71680	1	WASHER M6 DIN 125		-
3	72110	2	HEX. SCREW M5*16 DIN 933		-
4	75172	2	SPEED NUT M5 FOR 0.5-4.0 MM PLATE		-
5	74807	1	SPEED NUT M6, FOR 0.5-4.0 MM PLATE		-
6	72118	1	HEXAGONAL SCREW M6*20 DIN 933		-
7	74837	1	PIPE CLAMP F14 MM		-
8	64679	5	RELAY 12V 20/30A		-
9	A437313	2	DIODE 4A 600V WITH CONNECTOR		-
10	A437343	1	ROCKER SWITCH OPTICONTROL		-
11	A443240	1	WIRE HARNESS OPTICONTROL		-
12	A445731	1	CONNECTING CABLE OPTICONTROL L=3100		-
13	A445751	1	CONNECTING CABLE OPTICONTROL L=3800		-

16.6.2023

A444296 AUX. HYDRAULICS OUTLET REAR DOUBLE



Vain luistoneston kanssa/Only with anti-slip

Imutukkiin / to suction manifold

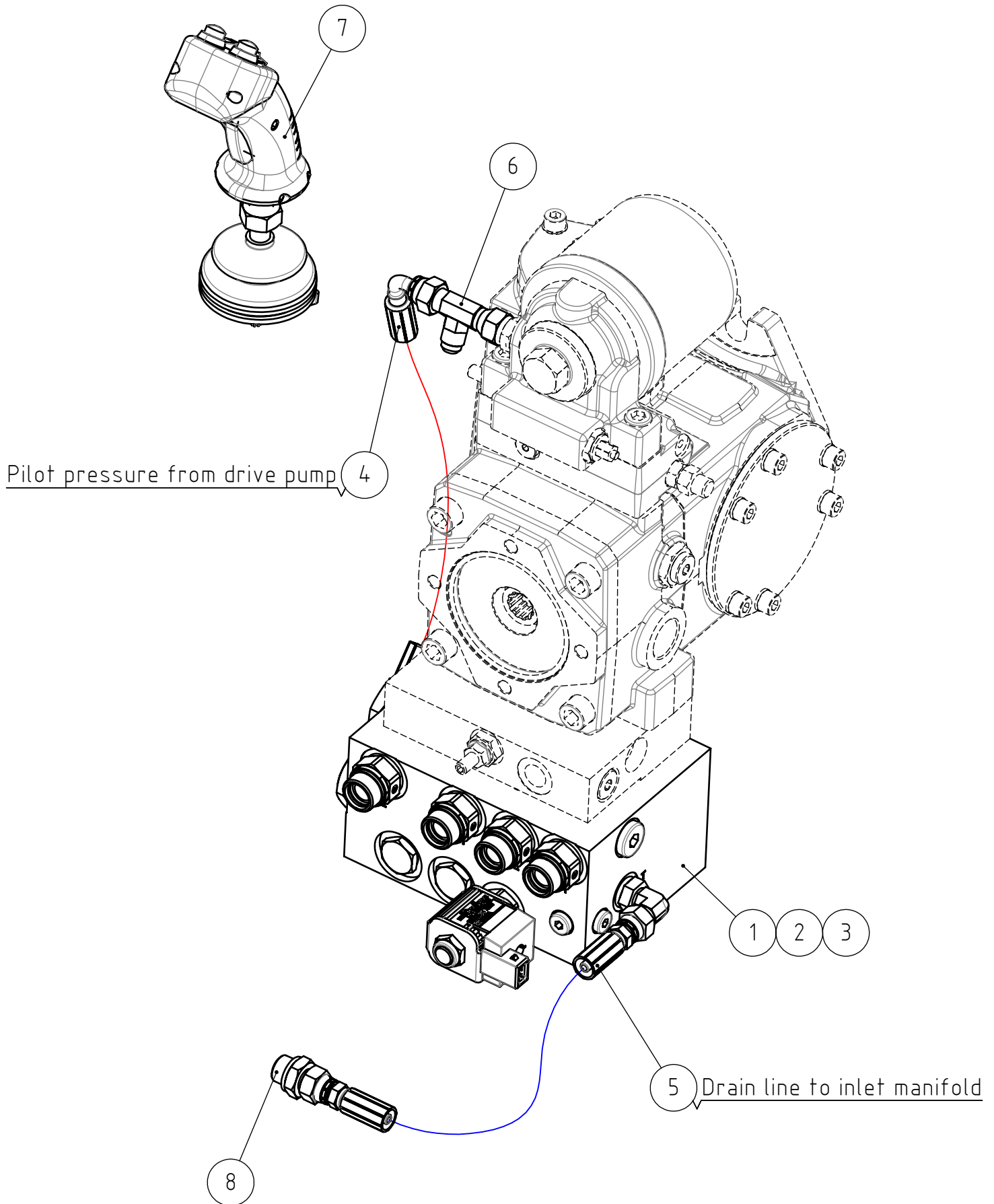
16.6.2023

A444296 AUX. HYDRAULICS OUTLET REAR DOUBLE

REF	PART NO	QTY	DESCRIPTION	NOTES	PAGE
1	A48828	1	CONTROL LEVER, AUXILIARY HYDRAULICS		-
2	74761	1	KNOB, CONTROL LEVER		-
3	A43092	1	CONNECTING PIECE, CONTROL LEVER		-
4	74525	2	WASHER M8 8,4*20*1,25 ZN		-
5	73962	1	WASHER M 8 DIN 127		-
6	72320	1	HEXAGONAL NUT M8 NYLOC DIN 985		-
7	73100	1	HEXAGONAL HEAD SCREW M8*30 DIN 912 2		-
8	A48498	1	LOCKING PLATE, CONTROL LEVER		-
9	A48360	1	LOCKING PIECE		-
10	74448	2	WASHER M5 A5,3 DIN 125 ZN		-
11	72110	2	HEX. SCREW M5*16 DIN 933		-
12	A435340	1	MOUNTING BRACKET QUICK COUPLERS REAR		-
13	A444063	2	QUICK COUPLER 1/2" (FEMALE)		-
14	65275	2	ELBOW FITTING 45 DEGR. V40XS12-1/2		-
15	64189	1	QUICK COUPLING MALE UNION 1/2" 4V14-T5X4		-
16	64884	1	ELBOW FITTING 45 DEGR. V6SX12		-
17	65566	1	RUBBER PLUG BLUE 1/2", QUICK COUPLING		-
18	65133	1	RUBBER COVER, RED, QUICK COUPLER		-
19	73753	1	COVER 1/2" TO MALE QUICK COUPLER		-
20	64078	1	L-FITTING BODY R6XS10		-
21	64041	2	BASIC FITTING F40XS10-3/8 /8		-
22	64059	1	BASIC FITTING F40XS10-1/4		-
23	A47918	2	HYDR. HOSE L=3400		-
24	A429507	1	HYDR. HOSE L=1600		-
25	A442270	3	THREAD-FORMING SCREW M8*16 DIN 7500C		-
26	74769	4	SEEGER RING A38*1,75 DIN 471		-
27	A442641	1	CABLE TIE 7,6*390 M8 BLACK		-

16.6.2023

A37362 ANTI SLIP VALVE OPTIDRIVE 700 SERIES



16.6.2023

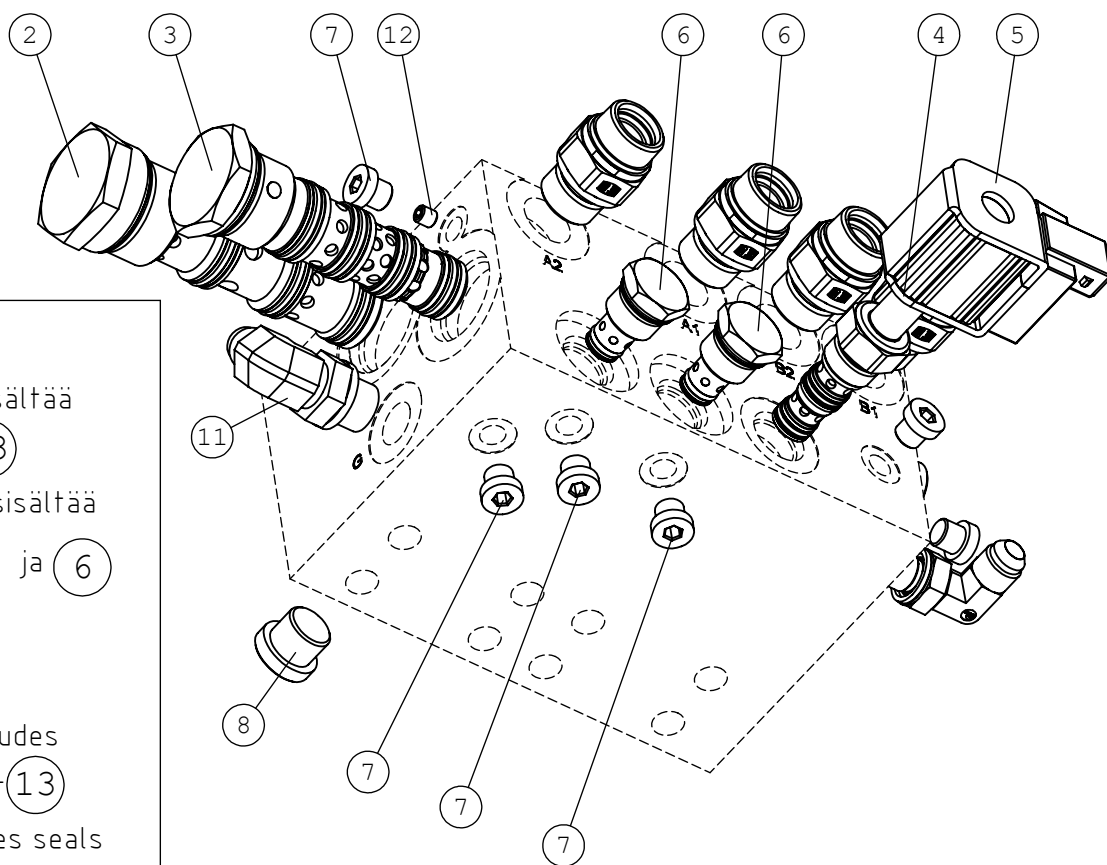
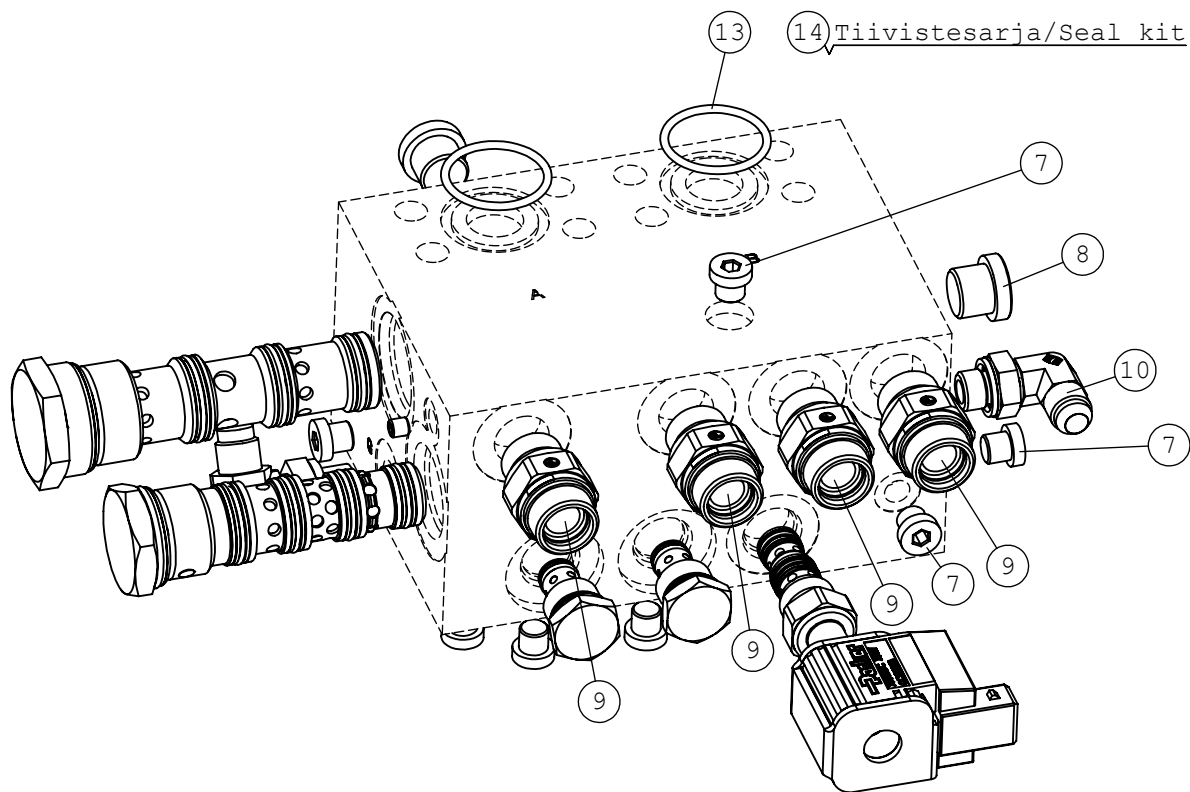
A37362 ANTI SLIP VALVE OPTIDRIVE 700 SERIES

REF	PART NO	QTY	DESCRIPTION	NOTES	PAGE
1	A421617	1	HYDRAULIC MANIFOLD, ANTI SLIP VALVE	DKOS fittings from 2022 week 26	110
2	75122	8	HEXAGONAL HEAD SCREW M10*140 12.9 DIN912		-
3	A434424	8	SAFETY WASHER M10 3/8"		-
4	A410094	1	HYDR. HOSE L=350		-
5	A428535	1	HYDR. HOSE L=350		-
6	64078	1	L-FITTING BODY R6XS10		-
7	A423466	1	JOYSTICK 8 FUNCTION WITH ANTI SLIP		-
8	64041	1	BASIC FITTING F40XS10-3/8 /8		-

16.6.2023

DKOS fittings from 2022 week 26

A421617 HYDRAULIC MANIFOLD, ANTI SLIP VALVE



HUOM!
 Nimike A421617 sisältää osat (2) - (13)
 Tiivistesarja (14) sisältää osien (2), (3), (4) ja (6) tiivisteet

NOTE!
 Item A421617 includes components (2) - (13)
 Seal kit (14) includes seals for components (2), (3), (4) and (6)

16.6.2023

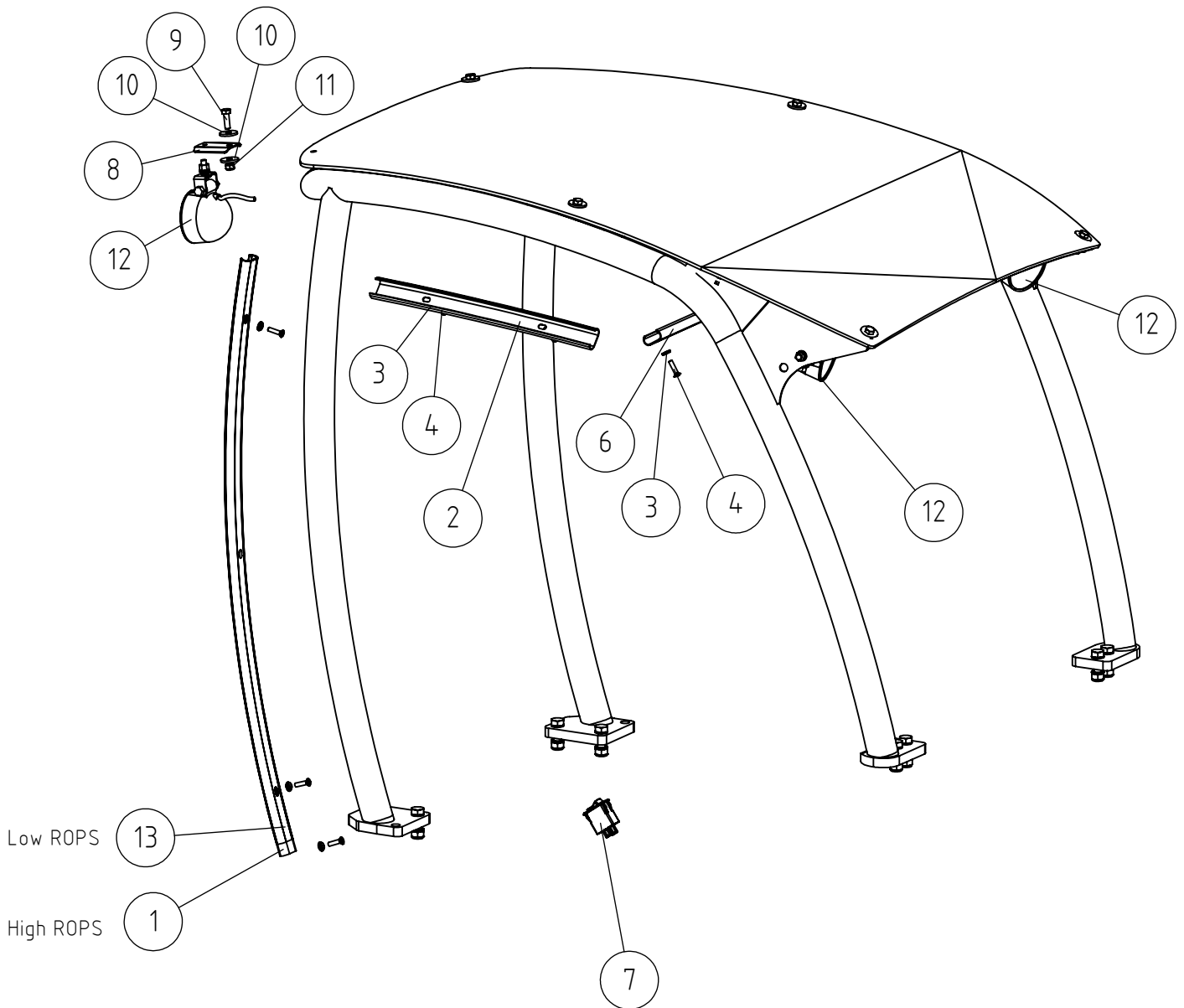
DKOS fittings from 2022 week 26

A421617 HYDRAULIC MANIFOLD, ANTI SLIP VALVE

REF	PART NO	QTY	DESCRIPTION	NOTES	PAGE
1	A421617	1	HYDRAULIC MANIFOLD, ANTI SLIP VALVE	DKOS fittings from 2022 week 26	110
2	A428742	1	FLOW DIVIDER VALVE CARTRIDGE 420BAR		-
3	A428740	1	DIVERTER VALVE CARTRIDGE 420BAR		-
4	A428584	1	VALVE CARTRIDGE SPOOL VALVE 3/2		-
5	66452	1	SOLENOID 12VDC/19W		-
6	A428743	2	CHECK VALVE CARTRIDGE 420BAR		-
7	64407	7	HEXAGONAL PLUG R 1/8" WITH PACKING		-
8	74411	2	HEXAGONAL PLUG HF 3/8" HTUNG		-
9	66347	4	BASIC FITTING EO-3 R1/2" - EO3 F24 /2		-
10	64087	1	ELBOW FITTING 90 DEGR. /4#		-
11	64044	1	ELBOW FITTING 90° C40XS10-3/8 /8		-
12	A428739	1	FLOW RESTRICTOR M6/0,7MM		-
13	75113	2	O-RING NBR F 31,42*2,62 90SH		-
14	A428795	1	SEAL KIT HYDRAULIC MANIFOLD A421617		-

16.6.2023

A33916 WORK LIGHT KIT, 3 LED LIGHTS 700 LUMEN



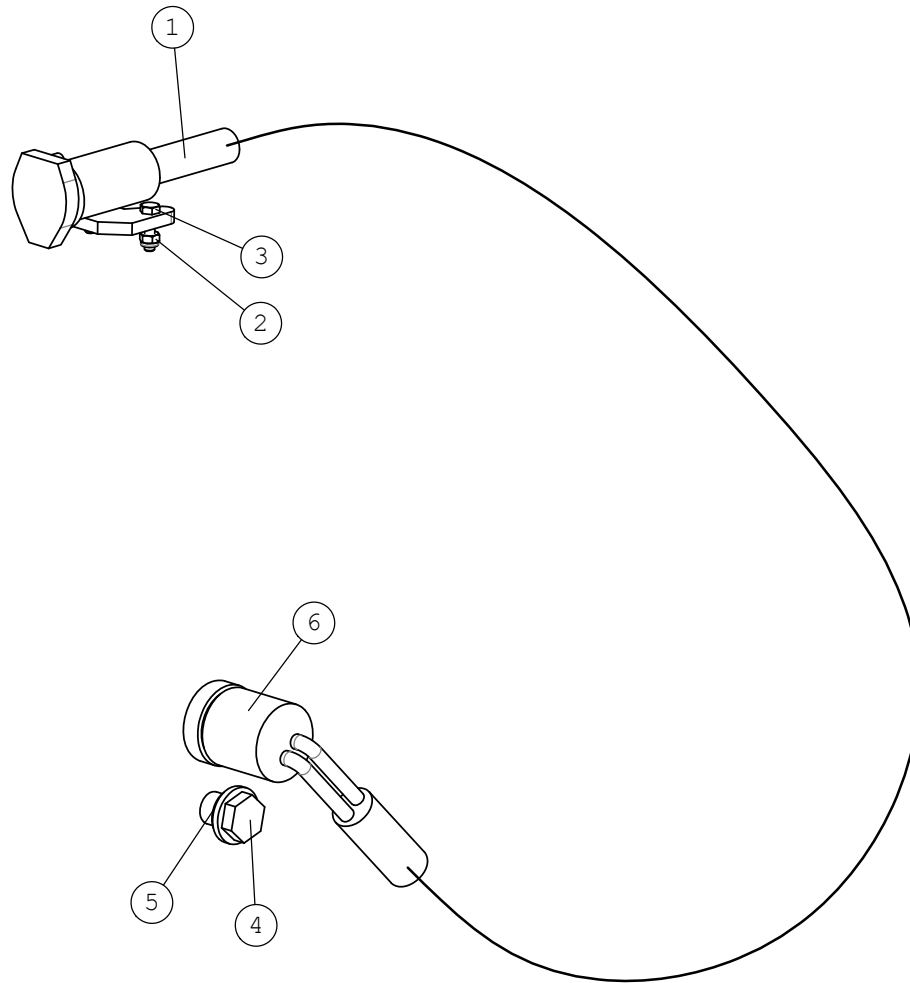
16.6.2023

A33916 WORK LIGHT KIT, 3 LED LIGHTS 700 LUMEN

REF	PART NO	QTY	DESCRIPTION	NOTES	PAGE
1	A49080	1	COVER STRIP, SIDE		-
2	A49079	1	COVER STRIP, MIDDLE		-
3	74768	8	WASHER CONICAL M6		-
4	A426199	8	CROSS-SLOT COUNTRS. HEAD SCREW M6*25		-
5	A33337	1	WIRE HARNESS, WORK LIGHT		-
6	A49077	1	COVER STRIP, UPPER		-
7	65066	1	SWITCH, WORK LIGHT		-
8	A410086	1	BRACKET, WORK LIGHT		-
9	72132	1	HEXAGONAL SCREW M 8*25 DIN 933 ZN		-
10	71685	2	WASHER M8 R9 DIN 440 ZN		-
11	72320	1	HEXAGONAL NUT M8 NYLOC DIN 985		-
12*	66068	3	WORK LIGHT LED 700 LUMEN 12V/12W COBO	700 lumen	-
12**	A419163	3	WORK LIGHT LED 2500 LUMEN WITH CONNECTOR	2500 lumen	-
13	A450714	1	COVER STRIP SIDE SHORT		-

16.6.2023

A410648 ENGINE BLOCK HEATER, KIT, 528, 530, 600,



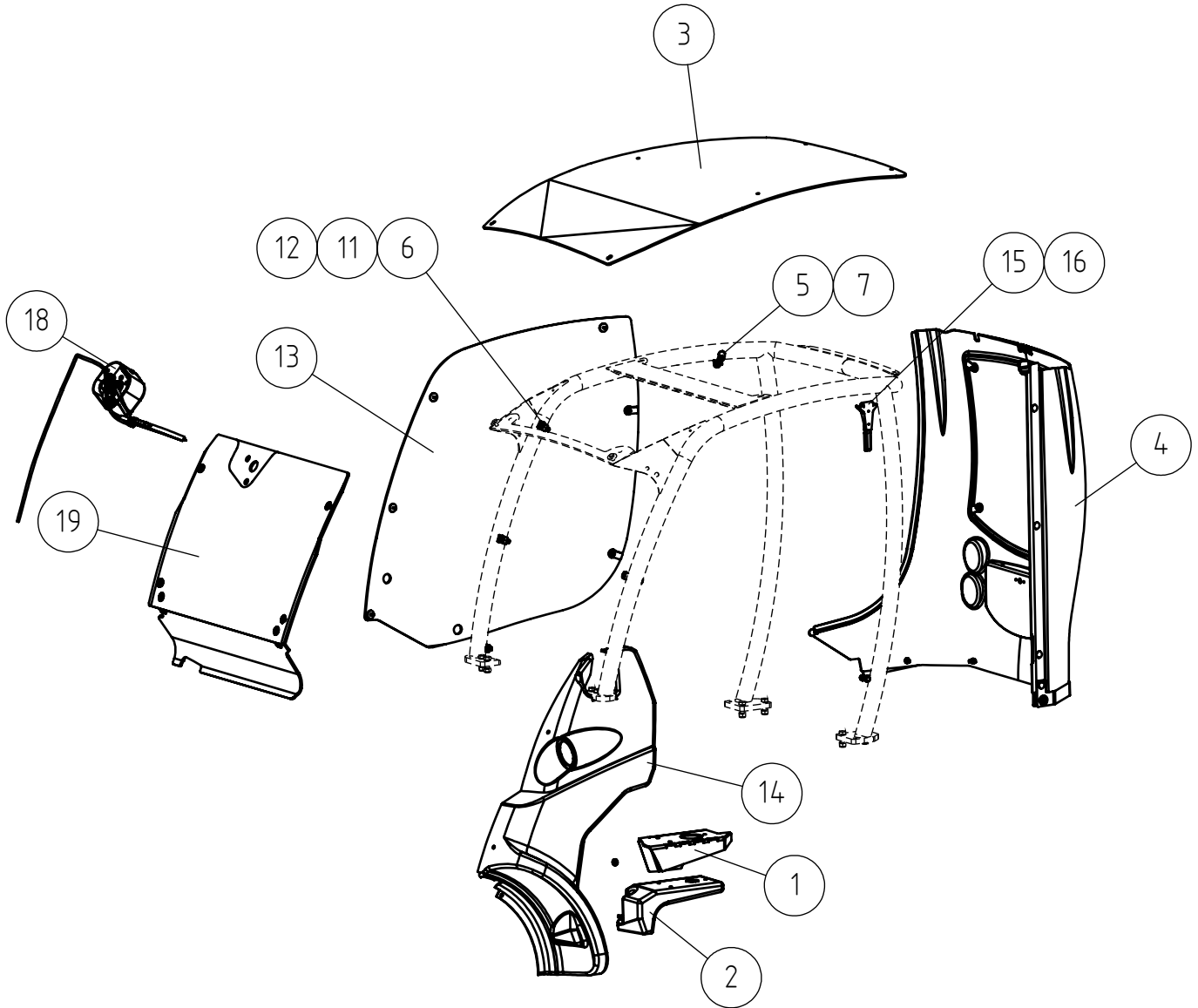
16.6.2023

A410648 ENGINE BLOCK HEATER, KIT, 528, 530, 600,

REF	PART NO	QTY	DESCRIPTION	NOTES	PAGE
1	64470	1	CONNECTING LEAD DEFA 460992 BLOCK HEATER		-
2	72313	2	HEXAGONAL NUT M4 DIN 985 NYLOC		-
3	73458	2	HEX. SCREW M4*16 DIN 933 ZN		-
4	65756	1	PLUG KUBOTA 06311-55020		-
5	65757	1	SEAL KUBOTA 04724-00130		-
6	65791	1	ENGINE BLOCK HEATER ELEMENT 600W 230V		-
7	65171	1	CONNECTING CABLE 2,5 M ENGINE BLOCK HEAT		-

16.6.2023

A443905 CAB L, 500-700 SERIES



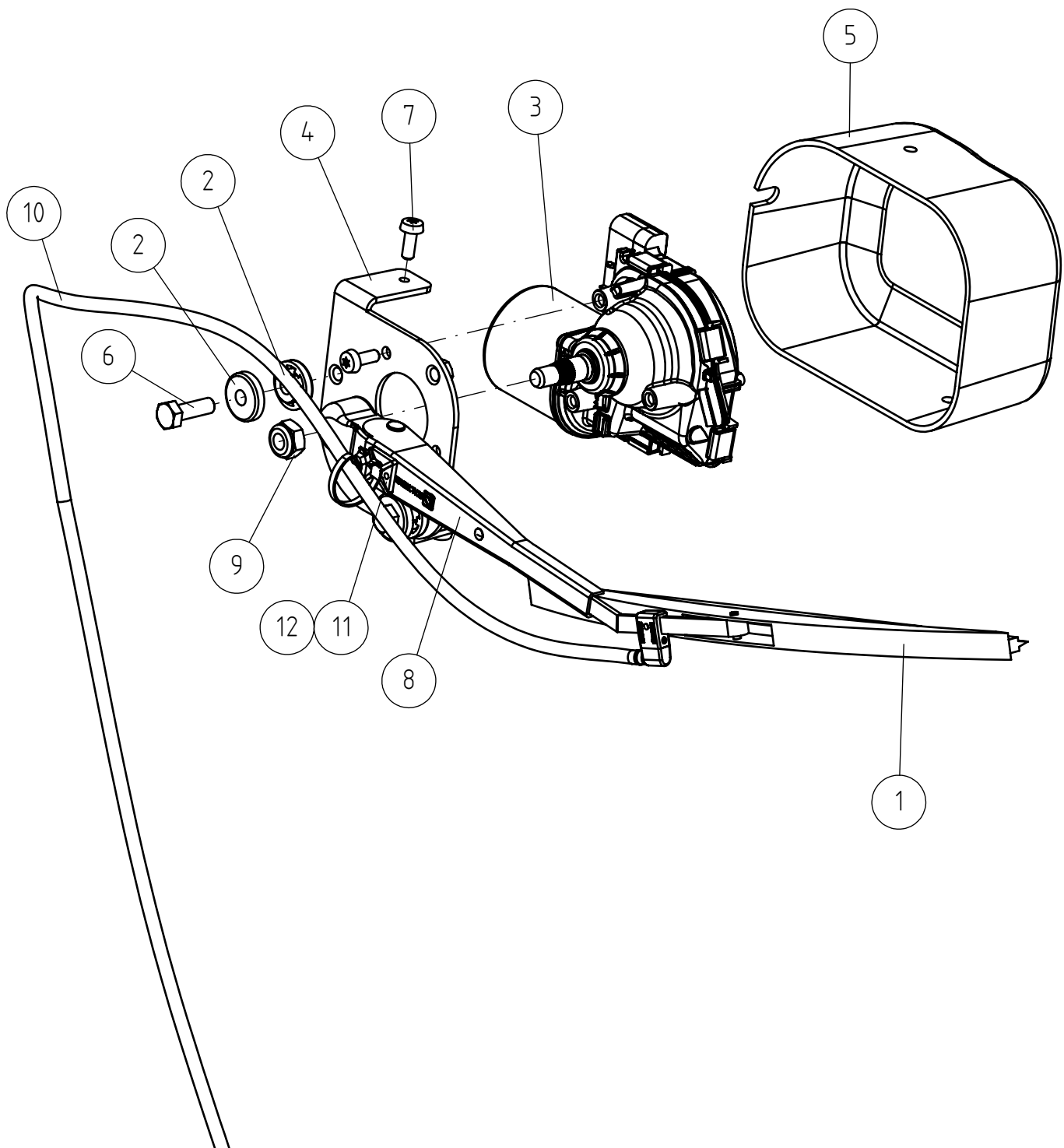
16.6.2023

A443905 CAB L, 500-700 SERIES

REF	PART NO	QTY	DESCRIPTION	NOTES	PAGE
1	A415799	1	STEP, CAB L, 500-700 SERIES		-
2	A33448	1	WINDSCREEN WASHER		-
3	A410091	1	CANOPY, POLYCARBONATE		-
4	A49446	1	REAR WALL WITH WINDOW 500/600/700/R/E		-
5	A49699	4	MOUNTING BRACKET ONE SIDED		-
6	A49698	2	MOUNTING BRACKET TWO SIDED		-
7	75172	4	SPEED NUT M5 FOR 0.5-4.0 MM PLATE		-
8	72320	1	HEXAGONAL NUT M8 NYLOC DIN 985		-
9	72133	1	HEXAGONAL SCREW M8*30 DIN 933		-
10	73122	2	WASHER M8 A8,4 DIN 125 ZN		-
11	73766	6	HEXAGONAL HEAD SCREW M6*16 DIN 912 2 8.8		-
12	71680	6	WASHER M6 DIN 125		-
13	A49451	1	WINDOW, RIGHT, COMPLETE, CAB L 500-700		-
14	A416315	1	COVER PLATE, FRONT LEFT, L CAB		-
15	64986	1	EMERGENCY HAMMER HAPPICH RED		-
16	A432729	1	BRACKET, EMERGENCY HAMMER 64986		-
17	A411021	1	DECAL "EMERGENCY EXIT"		-
18	A443979	1	WINDSCREEN WIPER ASSEMBLY CAB L 523-760I		118
19	A443961	1	WINDSCREEN ASSEMBLY CAB L 500/600/700/E		-
20	A441037	1	WIRE HARNESS CAB L AVANT 700-800		-

16.6.2023

A443979 WINDSCREEN WIPER ASSEMBLY CAB L 523-760I



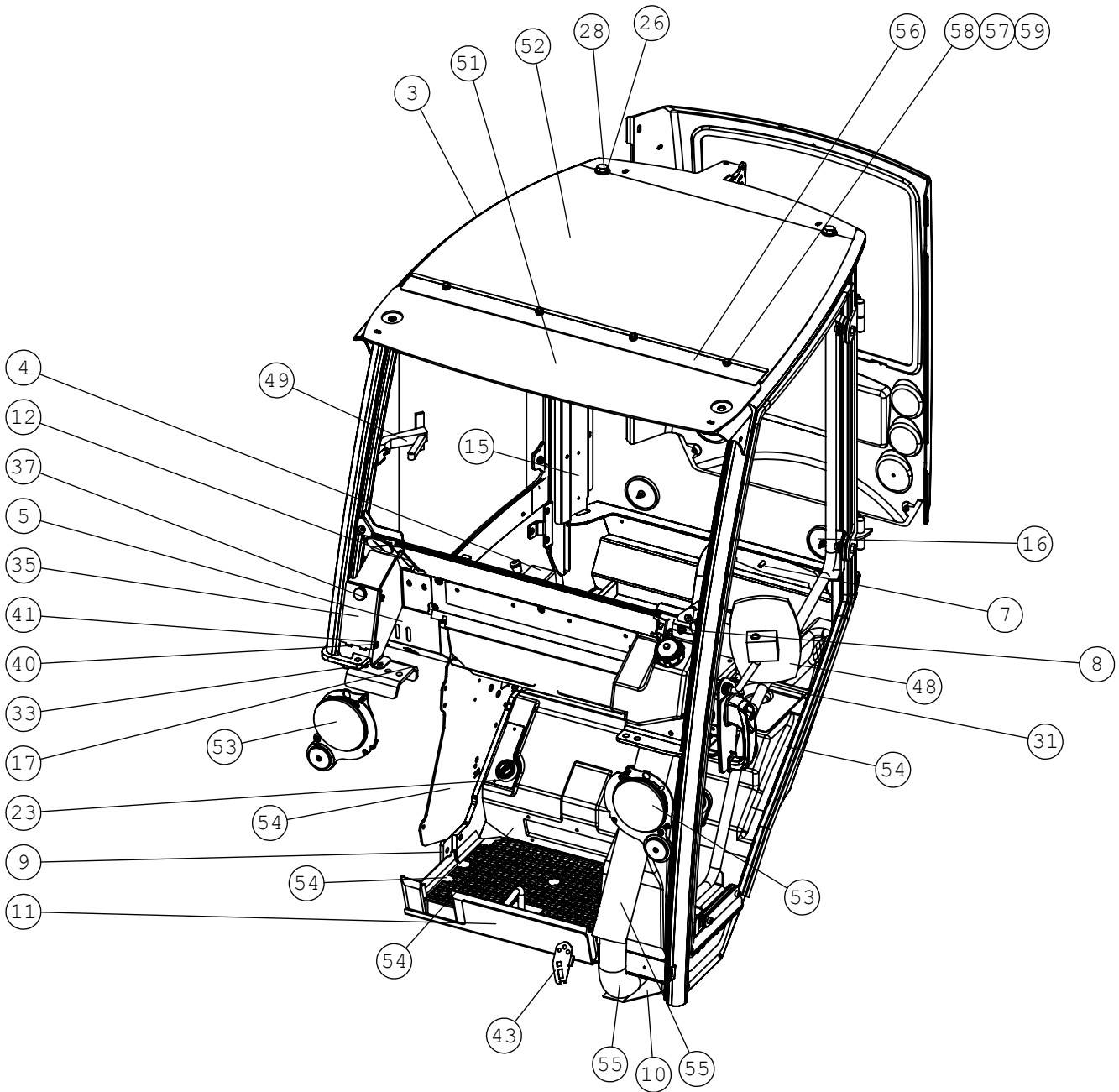
16.6.2023

A443979 WINDSCREEN WIPER ASSEMBLY CAB L 523-760I

REF	PART NO	QTY	DESCRIPTION	NOTES	PAGE
1	A440135	1	WIPER BLADE L=400MM		-
2	A441784	4	BUSHING PLASTIC D16,9/D8 - L8,1		-
3	A446829	1	ELECTRIC MOTOR PROGRAMMED WINDSCREEN		-
4	A440457	1	BRACKET MOTOR WINDSCREEN WIPER		-
5	A440716	1	COVER MOTOR WINDSCREEN WIPER		-
6	A427795	2	HEXAGONAL SCREW M8*25 DIN 933 8.8		-
7	A437544	4	THREAD-FORMING SCREW BLACK M6*16 DIN		-
8	A443799	1	ARM, WINDSCREEN WIPER M10 L=302 WITH		-
9	72322	1	HEXAGONAL NUT M 10 NYLOC DIN 985		-
10	A460684	1	HOSE WINDSCREEN WASHER CAB L		-
11	A455710	1	SOCKET ADHESIVE 19X19 CABLE TIE		-
12	A431459	1	CABLE TIE 3,6*281 BLACK		-

16.6.2023

A21517 CAB LX



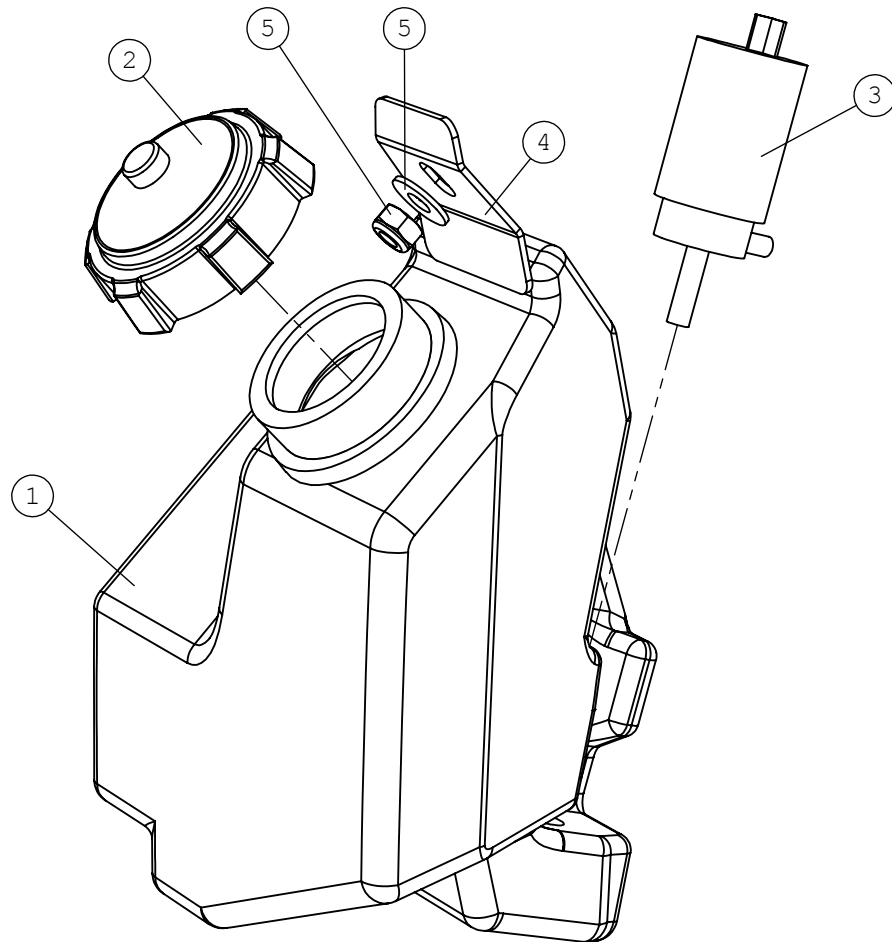
16.6.2023

A21517 CAB LX

REF	PART NO	QTY	DESCRIPTION	NOTES	PAGE
1	A21513	1	FRAME, CAB LX		-
2	A414271	1	BOX, AIR INTAKE		-
3	A414278	1	WINDSCREEN, COMPLETE, CAB		-
4	A412208	1	SIDE PLATE		-
5	A412247	1	COVER PLATE		-
6	A411777	1	SEAT BASE		-
7	A47248	1	FRAME LOCK		-
8	A412488	1	TANK, COMPLETE, WINDSCREEN WASHER		122
9	A412322	1	PLATE		-
10	A411862	1	COVER PLATE		-
11	A412482	1	FLOOR PLATE, CAB DLX		-
12	A414284	1	WINDSCREEN, LOWER, COMPL., CAB LX		-
13	64979	1	PIN, DOOR LOCK		-
14	64980	1	GUIDE PLATE, LOCK		-
15	A414285	1	EDGE STRIP, CAB LX		-
16	A414287	1	REAR WINDOW, COMPLETE, CAB LX A21517		-
17	A411645	1	BRACKET		-
18	64853	1	SEAT, WITH SUSPENSION & HEATER SEAT FSP9		-
18.1	64816	1	ARMRESTS, PAIR, SUSPENSION SEAT ACC980		-
19	65578	1	HEATER KALORI		-
20	65530	4	PIPE CLAMP KALORI		-
21	A413221	2	HOSE, HEATER, CAB		-
22	65558	2	PIPE CONNECTOR		-
23	65513	1	ROTARY SWITCH, FAN, CAB		-
24	64994	5	NOZZLE, AIR FLOW, CAB		-
25	A410681	1	GROMMET		-
26	72232	2	HEXAGONAL SCREW M16*30 DIN 933		-
27	72329	2	HEXAGONAL NUT M 16 DIN 934		-
28	A414522	2	WASHER, RUBBER, CAB LX		-
29	A414813	1	STRIP, CAB LX		-
30	A47756	1	ANGLE BRACKET 90°		-
31	A414866	1	SUPPORT PLATE, HEATER, CAB LX		-
32	A35404	1	WIRE HARNESS, CAB L/LX		-
33	A414827	1	BOX, FUSE BOX, CAB LX		-
34	A414828	1	MOUNTING PLATE, FUSE BOX, CAB LX		-
35	A414830	1	LID, FUSE COMPARTMENT, CAB LX/DLX		-
36	74807	1	SPEED NUT M6, FOR 0.5-4.0 MM PLATE		-
37	64941	1	FINGER SCREW M6*20 R3015RM620S		-
38	A35546	1	DECALS, FUSE BOX CAB LX/DLX		-
39	72318	2	HEXAGONAL NUT M 6 DIN 985 NYLOC		-
40	74767	2	RAISED COUNTERSUNK HEAD SCREW M6*20		-
41	74768	2	WASHER CONICAL M6		-
42	A413846	1	WEATHER STRIP, AIR HOSE, CAB DLX		-
43	A415022	1	BRACKET, SPRING, CAB		-
44	A414875	1	SUPPORT PLATE, AIR INTAKE, CAB LX/DLX		-
45	A414897	1	COVER, ELECTRIC MOTOR WINDSCREEN WIPER		-
46	A415648	1	WEATHER STRIP, REAR WINDOW, CAB LX		-
47	64865	1	GROMMET F18/12/9,51-3		-
48	A35735	1	DOOR, COMPLETE, CAB LX A21517		124
49	A415801	1	WINDOW COMPL. RIGHT SIDE, CAB LX A21517		-
50	A416357	1	IDENTIFICATION PLATE ROPS A21513 39*90		-
51	A414297	1	CLEAR VISOR-LX CAB ROOF		-
52	A414291	1	FOPS CANOPY, CAB LX		-
53	A423029	1	FRONT LIGHTS ASSEMBLY CAB LX		128
54	A21738	1	UPHOLSTERY, COMPLETE, CAB LX		130
55	A21706	1	HEATER UNIT, COMPLETE, CAB DLX		132
56	A414298	1	STRIP L=950		-
57	A416945	4	WASHER RUBBER M8		-
58	A429202	4	HEXAGONAL SERRATED SCREW M8*25 WITH FLAN		-
59	A450046	4	HEXAGONAL NUT M8 WITH FLANGE		-

16.6.2023

A412488 TANK, COMPLETE, WINDSCREEN WASHER

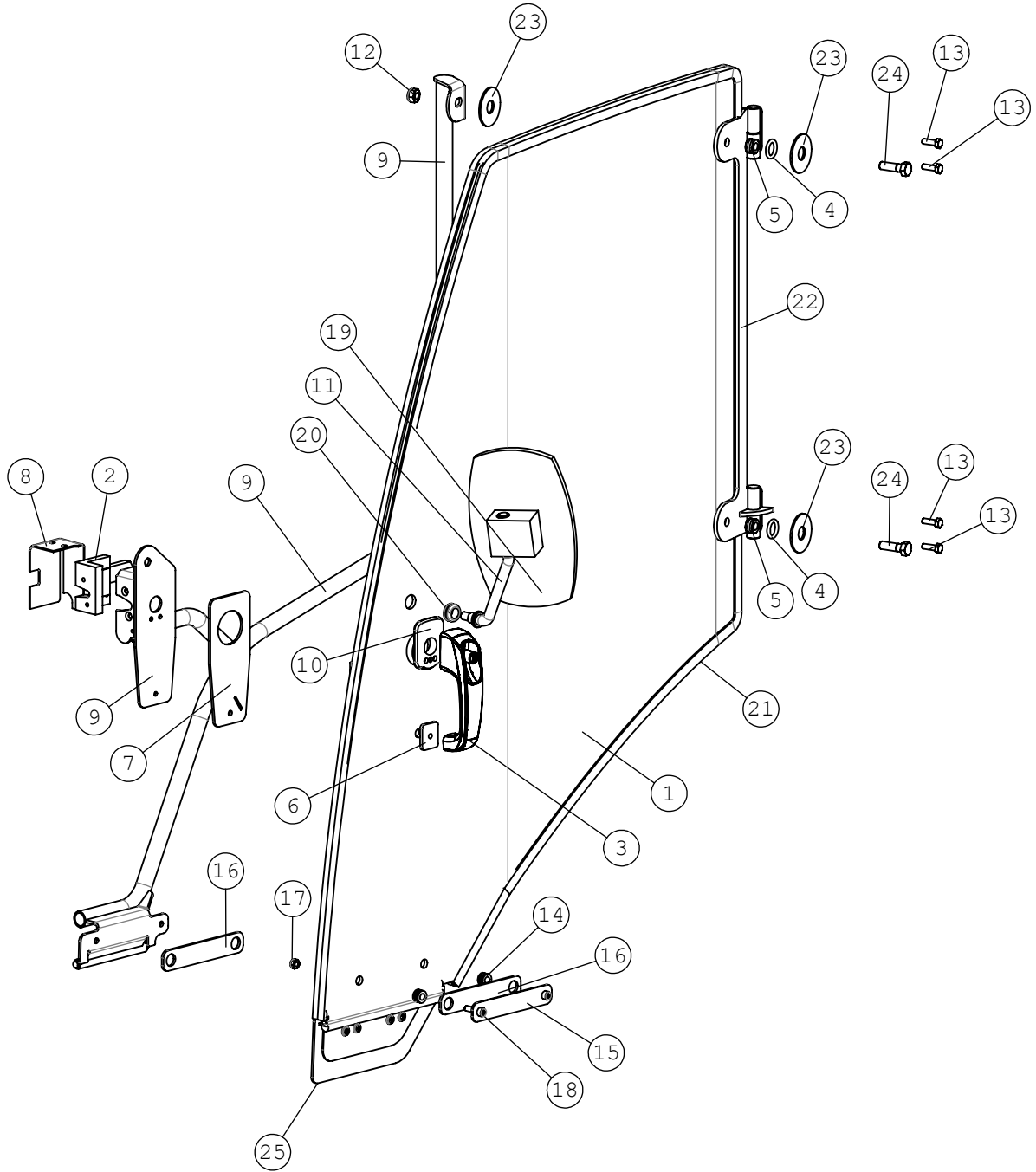


16.6.2023

A412488 TANK, COMPLETE, WINDSCREEN WASHER

REF	PART NO	QTY	DESCRIPTION	NOTES	PAGE
1	A411998	1	TANK, WINDSCREEN WASHER		-
2	64855	1	FUEL TANK CAP		-
3	65017	1	PUMP 12V, WINDSCREEN WASHER		-
4	A412153	1	BRACKET		-
5	72320	1	HEXAGONAL NUT M8 NYLOC DIN 985		-
6	74525	1	WASHER M8 8,4*20*1,25 ZN		-

A35735 DOOR, COMPLETE, CAB LX A21517



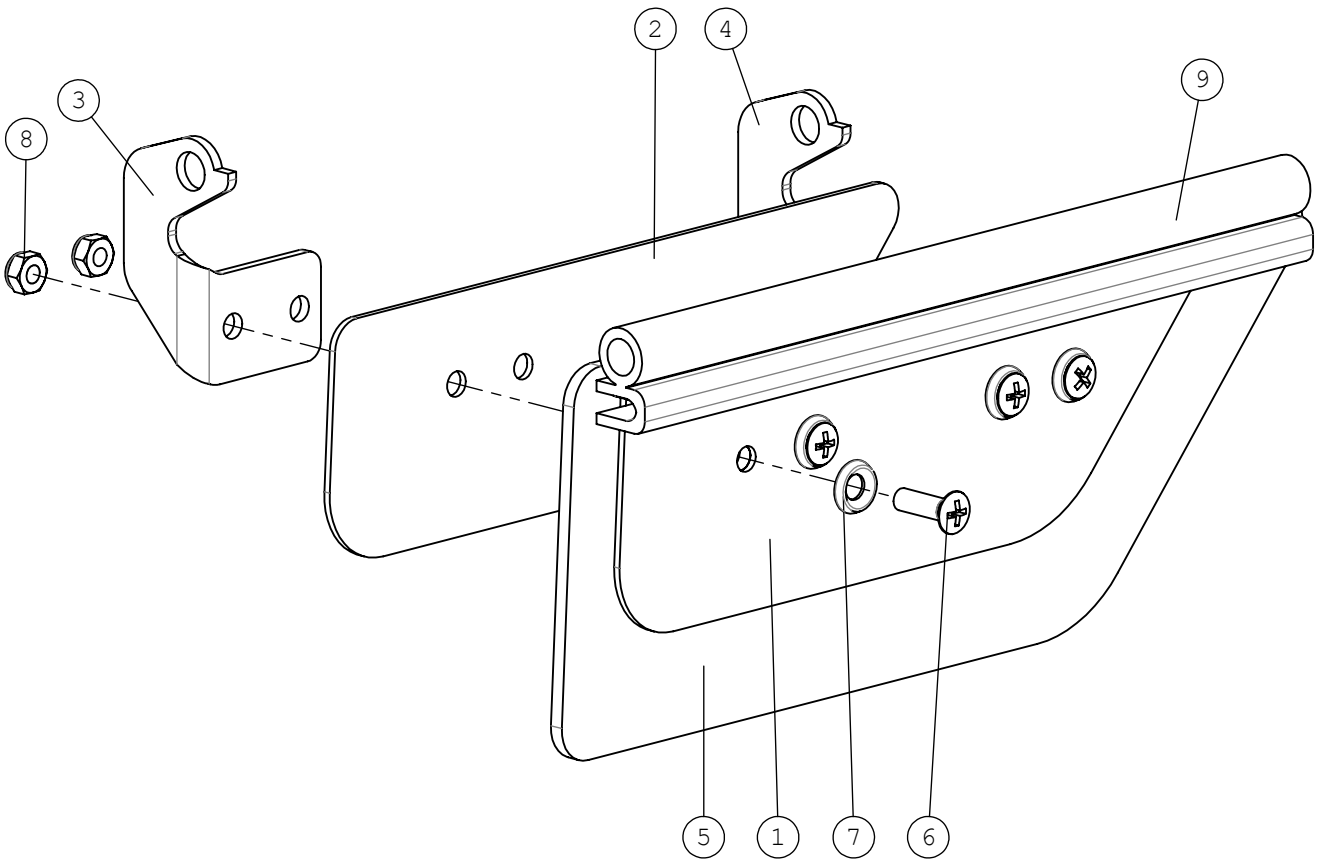
16.6.2023

A35735 DOOR, COMPLETE, CAB LX A21517

REF	PART NO	QTY	DESCRIPTION	NOTES	PAGE
1	A411823	1	DOOR PLATE, SAFETY GLASS, CAB DLX & GT		-
2	64981	1	LOCK BODY		-
3	65025	1	HANDLE, DOOR, CAB		-
4	74856	2	O-RING NBR F 20,0 * 5,0 70SH		-
5	A412329	2	BUSHING		-
6	65026	1	SUBPLATE, DOOR HANDLE 20325-01		-
7	A47957	1	PLATE		-
8	A412344	1	COVER PLATE		-
9	A34859	1	FRAME, DOOR, CAB DLX & GT		-
10	65027	1	SUBPLATE, DOOR HANDLE		-
11	A412476	1	ARM, LEFT, SIDE MIRROR		-
12	72324	3	HEXAGONAL NUT M 12 NYLOC DIN 985		-
13	72132	4	HEXAGONAL SCREW M 8*25 DIN 933 ZN		-
14	64985	2	GROMMET F19/13/10,S=5H=11		-
15	A412477	1	SUPPORT PLATE		-
16	A412478	2	RUBBER PLATE		-
17	72320	2	HEXAGONAL NUT M8 NYLOC DIN 985		-
18	73100	2	HEXAGONAL HEAD SCREW M8*30 DIN 912 2		-
19	64975	1	SIDE MIRROR CONVEX GLASS 260*166MM		-
20	65539	1	GROMMET F27/21/16		-
21	A415358	1	WEATHER STRIP, DOOR, CAB LX/DLX		-
22	A414537	1	HINGE, LOWER, DOOR, CAB		-
23	A412327	4	RUBBER WASHER		-
24	73322	2	HEXAGONAL SCREW M12*40 DIN 931		-
25	A434225	1	DOOR, LOWER PART CAB LX/DLX		126

16.6.2023

A434225 DOOR, LOWER PART CAB LX/DLX



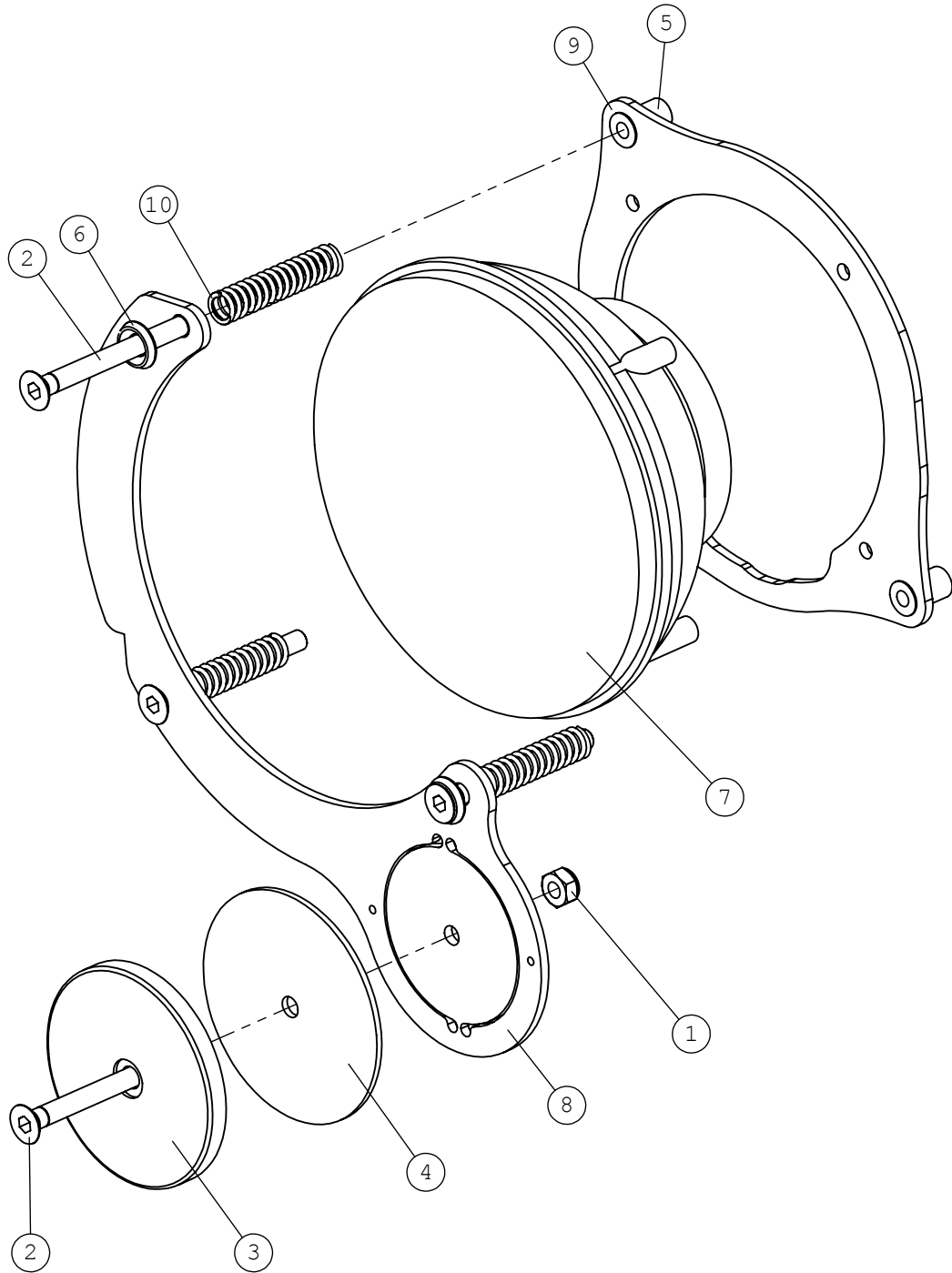
16.6.2023

A434225 DOOR, LOWER PART CAB LX/DLX

REF	PART NO	QTY	DESCRIPTION	NOTES	PAGE
1	A411828	1	SUPPORT PLATE, OUTSIDE		-
2	A411832	1	SUPPORT PLATE		-
3	A411834	1	HINGE, RIGHT		-
4	A411835	1	HINGE, LEFT		-
5	A411836	1	RUBBER PLATE, LOWER, CAB DOOR		-
6	74767	4	RAISED COUNTERSUNK HEAD SCREW M6*20		-
7	74768	4	WASHER CONICAL M6		-
8	72318	4	HEXAGONAL NUT M 6 DIN 985 NYLOC		-
9	A434221	1	WEATHER STRIP DOOR CAB L=250		-

16.6.2023

A423029 FRONT LIGHTS ASSEMBLY CAB LX



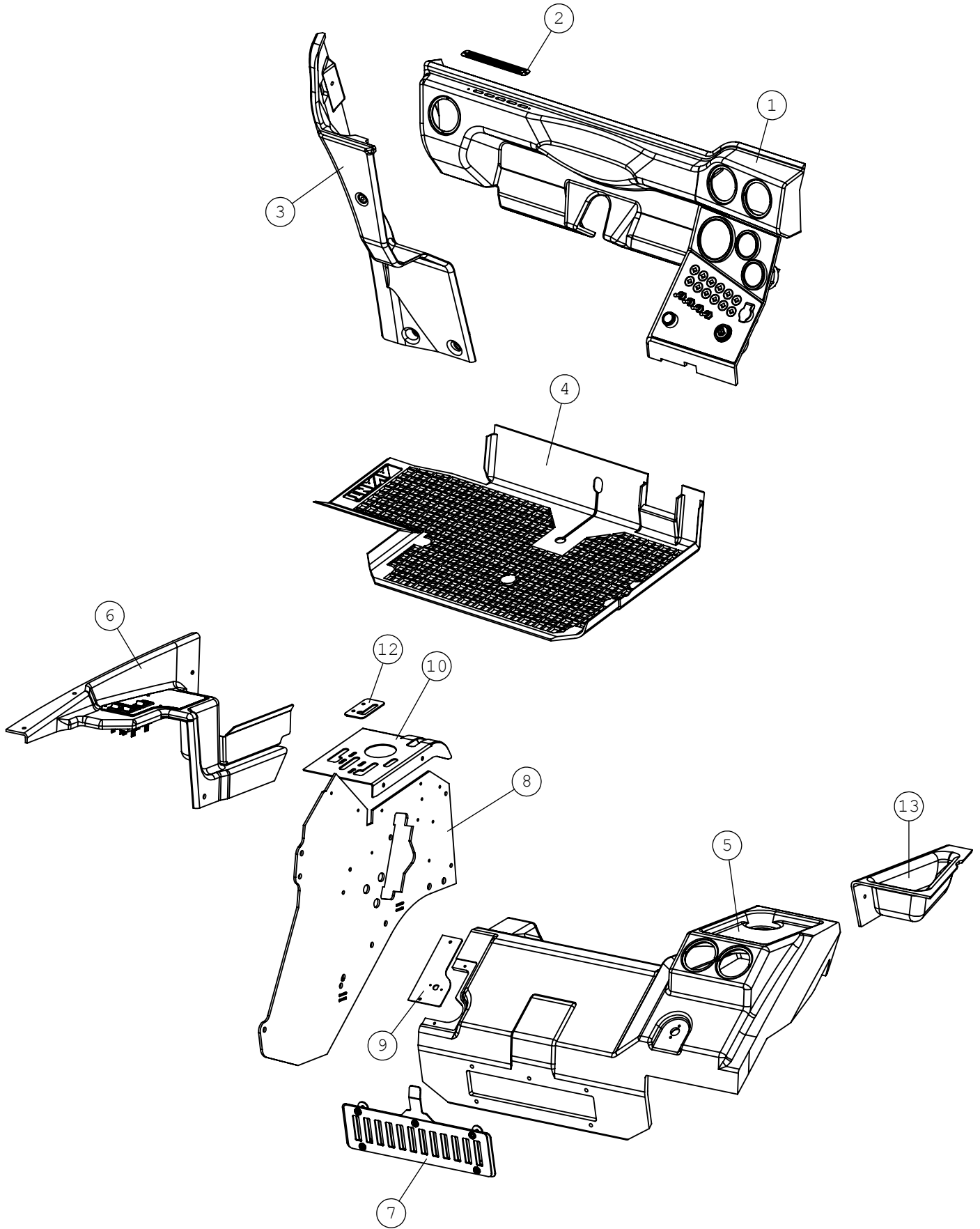
16.6.2023

A423029 FRONT LIGHTS ASSEMBLY CAB LX

REF	PART NO	QTY	DESCRIPTION	NOTES	PAGE
1	72318	2	HEXAGONAL NUT M 6 DIN 985 NYLOC		-
2	75139	8	COUNTERSUNK HEAD SCREW M6*60 DIN 7991		-
3	65660	2	REFLECTOR WHITE ROUND		-
4	A423033	2	MOUNTING PLATE REFLECTOR		-
5	74703	6	RIVET NUT M6 SUNK HEAD		-
6	74768	4	WASHER CONICAL M6		-
7	65484	2	HEADLIGHT/POSITION LIGHT		-
8	A421888	2	MOUNTING BRACKET, HEADLIGHT		-
9	A421895	2	ADJUSTMENT PLATE		-
10	66464	6	COMPRESSION SPRING 1,5*7*45 N=16,9		-

16.6.2023

A21738 UPHOLSTERY, COMPLETE, CAB LX



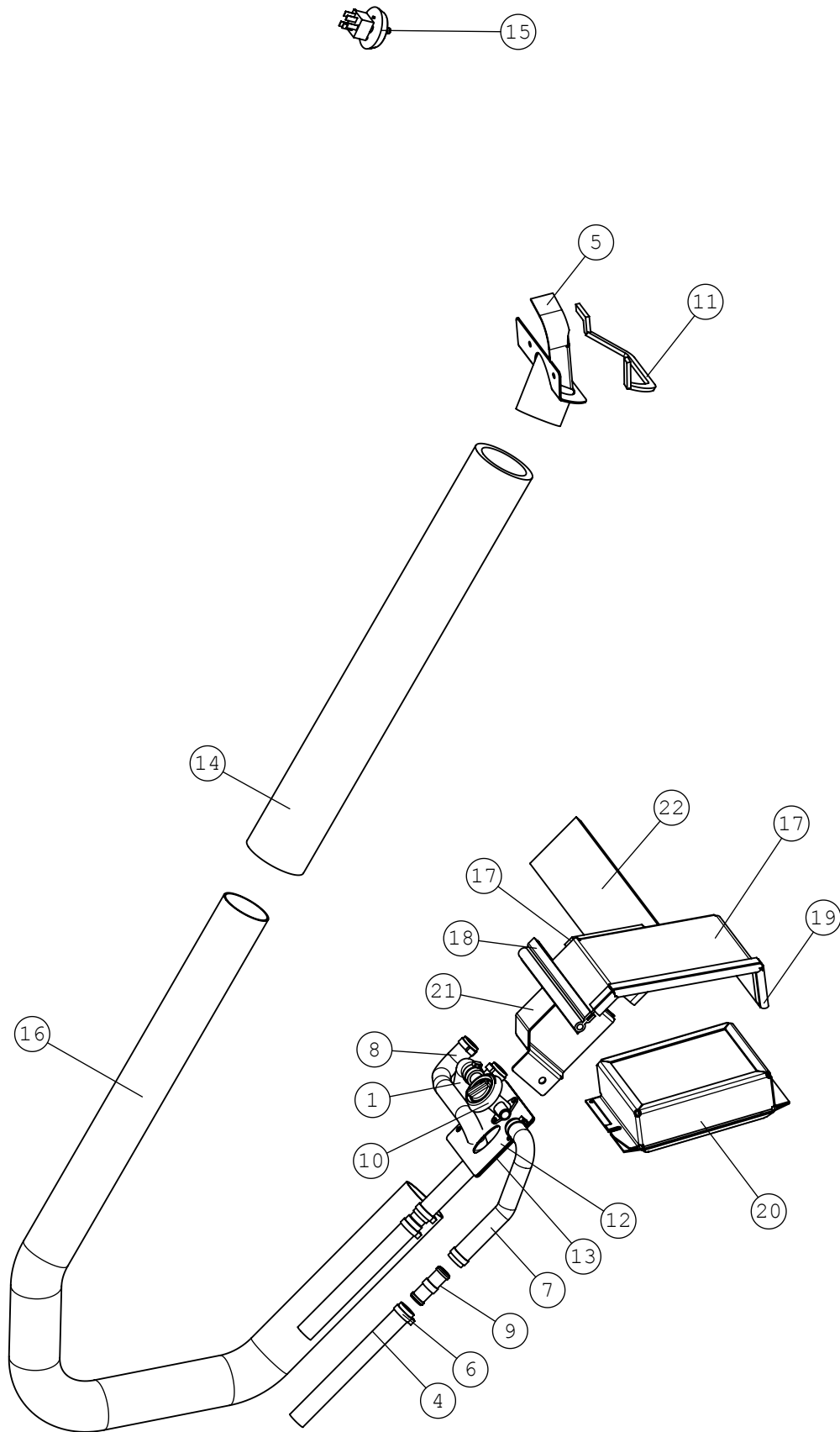
16.6.2023

A21738 UPHOLSTERY, COMPLETE, CAB LX

REF	PART NO	QTY	DESCRIPTION	NOTES	PAGE
1	A412035	1	UPHOLSTERY PLATE, INSTRUMENT PANEL, CAB		-
2	A413347	1	GRATING		-
3	A411687	1	UPHOLSTERY PLATE, LEFT SIDE, CAB DLX		-
4	A413222	1	FLOOR MAT		-
5	A411726	1	UPHOLSTERY PANEL, HEATER, CAB DLX		-
6	A414279	1	DASHBOARD, COMPLETE, CAB LX A21517		-
7	A413430	1	GRILL, AIR CIRCULATION, CAB DLX		-
8	A412181	1	SIDE PLATE, CAB LX/DLX		-
9	A412178	1	PANEL		-
10	A412471	1	COVER PLATE, CONTROL LEVERS, CAB DLX		-
11	A412046	1	DASHBOARD, CAB DLX		-
12	A413249	1	LOCKING PLATE, CONTROL LEVER		-
13	A416782	1	GLOVE BOX, CAB LX		-

16.6.2023

A21706 HEATER UNIT, COMPLETE, CAB DLX



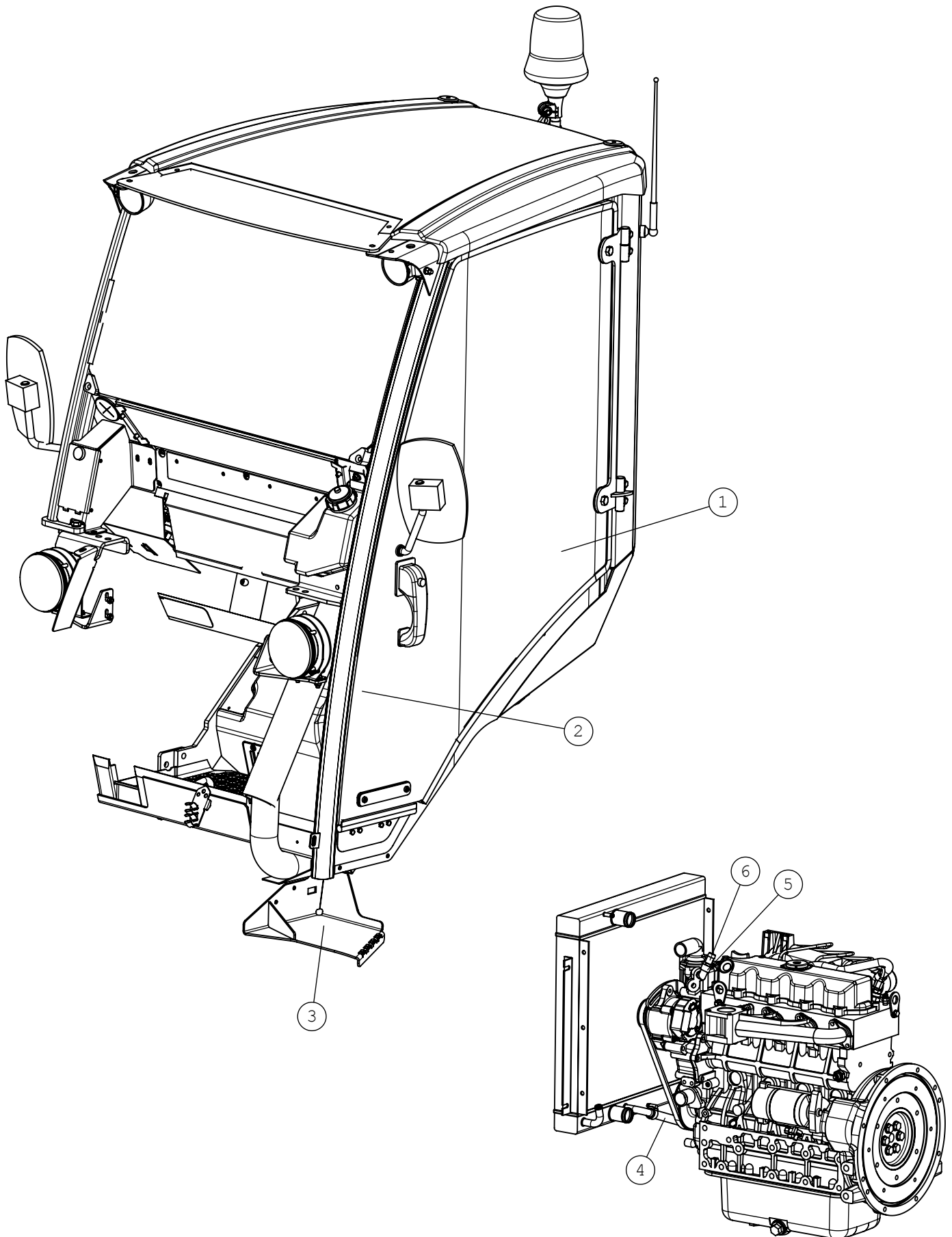
16.6.2023

A21706 HEATER UNIT, COMPLETE, CAB DLX

REF	PART NO	QTY	DESCRIPTION	NOTES	PAGE
1	A412438	1	HOSE, LOWER		-
2	A34854	1	WIRE HARNESS, HEATER, CAB		-
3	A412500	1	DECAL, CONTROL LEVERS		-
4	A413221	2	HOSE, HEATER, CAB		-
5	A413370	1	AIR NOZZLE, CAB DLX		-
6	65530	8	PIPE CLAMP KALORI		-
7	A412437	1	HOSE, UPPER, HEATER, CAB DLX		-
8	A413939	1	HOSE, UPPER, CAB DLX		-
9	65558	2	PIPE CONNECTOR		-
10	65514	1	THERMOSTAT, HEATER, CAB		-
11	A416334	1	WEATHER STRIP, DASHBOARD, CAB		-
12	A414871	1	RUBBER PLATE, AIR INTAKE, CAB		-
13	A414875	1	SUPPORT PLATE, AIR INTAKE, CAB LX/DLX		-
14	A416219	1	HEAT ISOLATOR, TUBE, HEATER CAB DLX		-
15	65513	1	ROTARY SWITCH, FAN, CAB		-
16	A411776	1	PIPE, HEATER		-
17	A414274	1	LID		-
18	A413846	1	WEATHER STRIP, AIR HOSE, CAB DLX		-
19	A415020	1	WEATHER STRIP, CAB LX/DLX		-
20	A411787	1	AIR FILTER, CAB, COMPLETE		-
21	A414271	1	BOX, AIR INTAKE		-
22	A413310	1	INSULATION, HEATER		-
23	A413844	1	WEATHER STRIP, FAN, CAB DLX		-

16.6.2023

A21710 CAB DLX 700 SERIES, ASSEMBLY



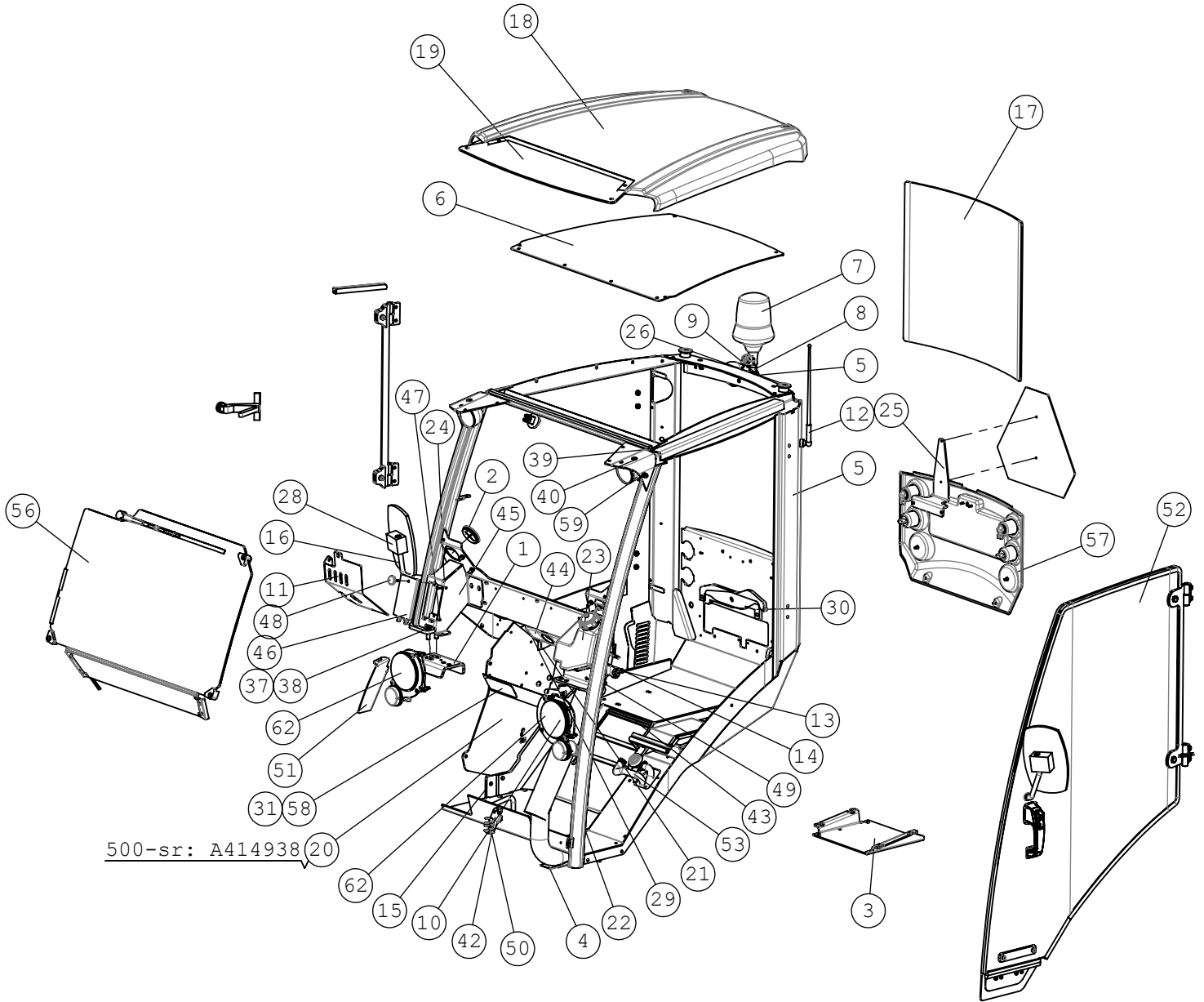
16.6.2023

A21710 CAB DLX 700 SERIES, ASSEMBLY

REF	PART NO	QTY	DESCRIPTION	NOTES	PAGE
1	A21708	1	CAB DLX, ASSEMBLY		136
2	65578	1	HEATER KALORI		-
3	A413772	1	STEP, CAB DLX		-
4	A413403	1	PIPING, RETURN TO COOLER, HEATER		-
5	65480	1	ELBOW FITTING 90 DEGR. 22 38 38		-
6	64967	1	HOSE BARB R3/8"UK - 16MM L=44		-

16.6.2023

A21708 CAB DLX, ASSEMBLY



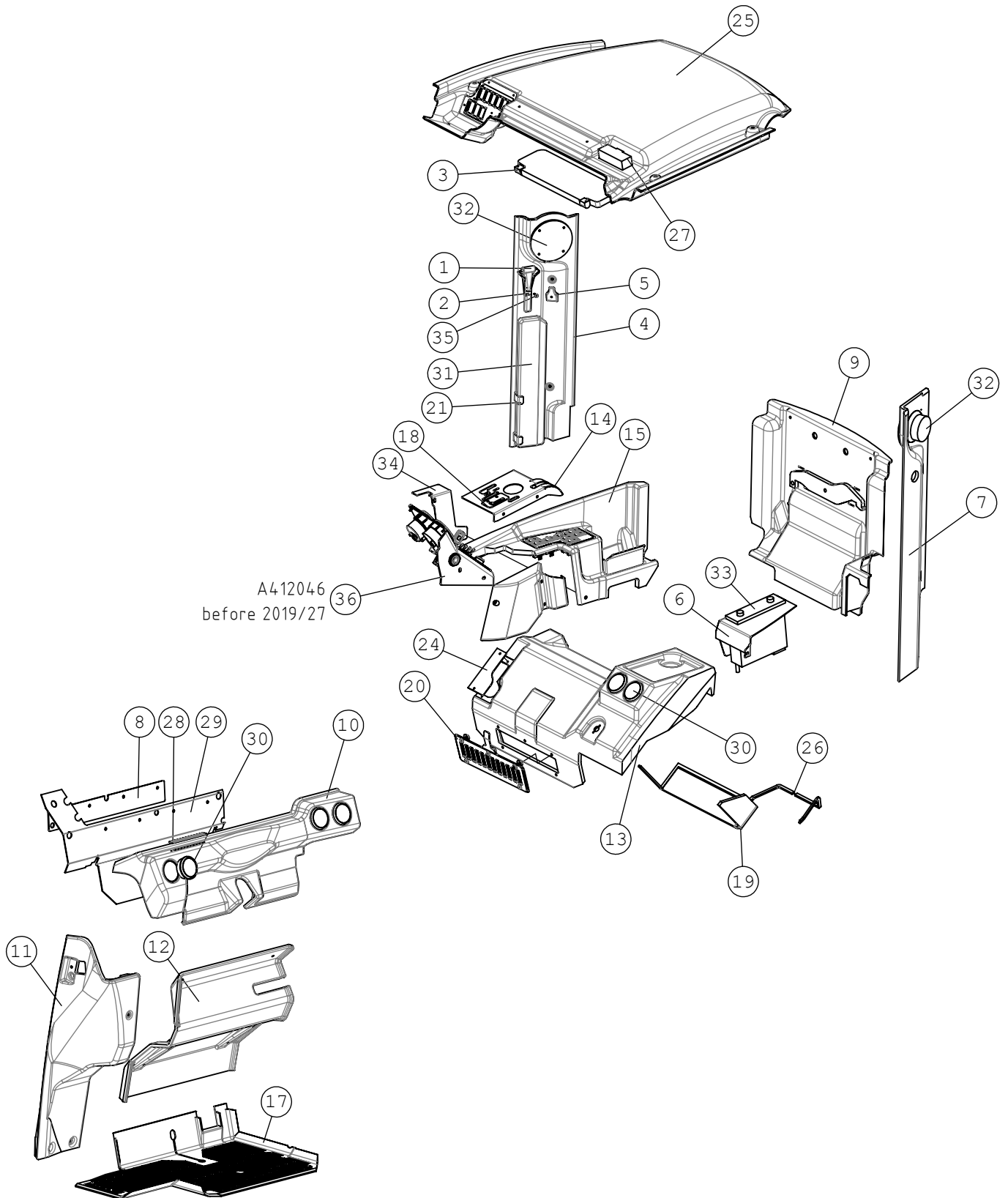
16.6.2023

A21708 CAB DLX, ASSEMBLY

REF	PART NO	QTY	DESCRIPTION	NOTES	PAGE
1	A411645	1	BRACKET		-
2	A410681	1	GROMMET		-
3	A411777	1	SEAT BASE		-
4	A411862	1	COVER PLATE		-
5	A21419	1	FRAME, CAB		-
6	A411946	1	FOPS ROOF		-
7	64978	1	BEACON 12VDC		-
8	65058	1	BRACKET (PIN), BEACON		-
9	A412068	1	BRACKET, BEACON, CAB DLX		-
10	A412076	1	PARTITION WALL		-
11	A412247	1	COVER PLATE		-
12	64997	1	AERIAL HIRSCHMANN L=350		-
13	64979	1	PIN, DOOR LOCK		-
14	64980	1	GUIDE PLATE, LOCK		-
15	A412322	1	PLATE		-
16	A412400	1	ARM, RIGHT, SIDE MIRROR		-
17	A411848	1	WINDOW, REAR, CAB DLX		-
18	A412312	1	COVER PLATE, ROOF, CAB DLX		-
19	A411933	1	VISOR, CAB DLX		-
20	A412181	1	SIDE PLATE, CAB LX/DLX		-
21	A412471	1	COVER PLATE, CONTROL LEVERS, CAB DLX		-
22	A412482	1	FLOOR PLATE, CAB DLX		-
23	A412488	1	TANK, COMPLETE, WINDSCREEN WASHER		122
24	72324	2	HEXAGONAL NUT M 12 NYLOC DIN 985		-
25	A412928	1	BRACKET, WARNING TRIANGLE		-
26	A412930	2	WASHER		-
27	A412500	1	DECAL, CONTROL LEVERS		-
28	64975	1	SIDE MIRROR CONVEX GLASS 260*166MM		-
29	A413249	1	LOCKING PLATE, CONTROL LEVER		-
30	A47248	1	FRAME LOCK		-
31	A413521	1	DECAL, FOOTWELL, CAB DLX		-
32	64188	3	FINGER SCREW R5026M8S		-
33	A47713	1	SERVICE SUPPORT, LIFT CYLINDER		-
34	72139	1	HEXAGONAL SCREW M 8*60 DIN 931		-
35	A413883	1	DECAL, WINDSCREEN WASHER TANK		-
36	A413760	1	DECAL FOPS/ROPS		-
37	74532	2	WASHER NORDLOCK NL12		-
38	73322	2	HEXAGONAL SCREW M12*40 DIN 931		-
39	A415498	1	WEATHER STRIP, ROOF, CAB LX/DLX		-
40	74525	1	WASHER M8 8,4*20*1,25 ZN		-
41	A21554	1	WIRE HARNESS, CAB DLX		-
42	A415022	1	BRACKET, SPRING, CAB		-
43	A415017	1	WEATHER STRIP, HEATER, CAB		-
44	65640	1	LIGHTS/WINDSCREEN WIPER LEVER SWITCH		-
45	A414827	1	BOX, FUSE BOX, CAB LX		-
46	A414830	1	LID, FUSE COMPARTMENT, CAB LX/DLX		-
47	A414828	1	MOUNTING PLATE, FUSE BOX, CAB LX		-
48	64941	1	FINGER SCREW M6*20 R3015RM620S		-
49	65665	1	DOOR SWITCH, CAB		-
50	74860	2	CLAMP F25-F27		-
51	A414801	1	EDGE PLATE		-
52	A35735	1	DOOR, COMPLETE, CAB LX A21517		124
53	A21706	1	HEATER UNIT, COMPLETE, CAB DLX		132
54	A21705	1	UPHOLSTERY, COMPLETE, CAB DLX		138
55	A415801	1	WINDOW COMPL. RIGHT SIDE, CAB LX A21517		-
56	A21707	1	WINDSCREEN ASSEMBLY, CAB DLX		142
57	A21709	1	REAR WALL, ASSEMBLY, CAB DLX		-
58	A415562	1	DECAL, EMPTY CAB DLX		-
59*	66068	3	WORK LIGHT LED 700 LUMEN 12V/12W COBO	700 lumen	-
59**	A419163	3	WORK LIGHT LED 2500 LUMEN WITH CONNECTOR	2500 lumen	-
60	A415030	1	WIRE HARNESS 2-SPEED/BRAKE/ANTISLIP CAB		-
61	64802	1	SEAT BELT 3-POINT		-
62	A421890	1	HEADLIGHTS, ROAD TRAFFIC KIT CAB DLX		144
63	A430876	1	DECAL KIT CAB LX/DLX		-

16.6.2023

A21705 UPHOLSTERY, COMPLETE, CAB DLX



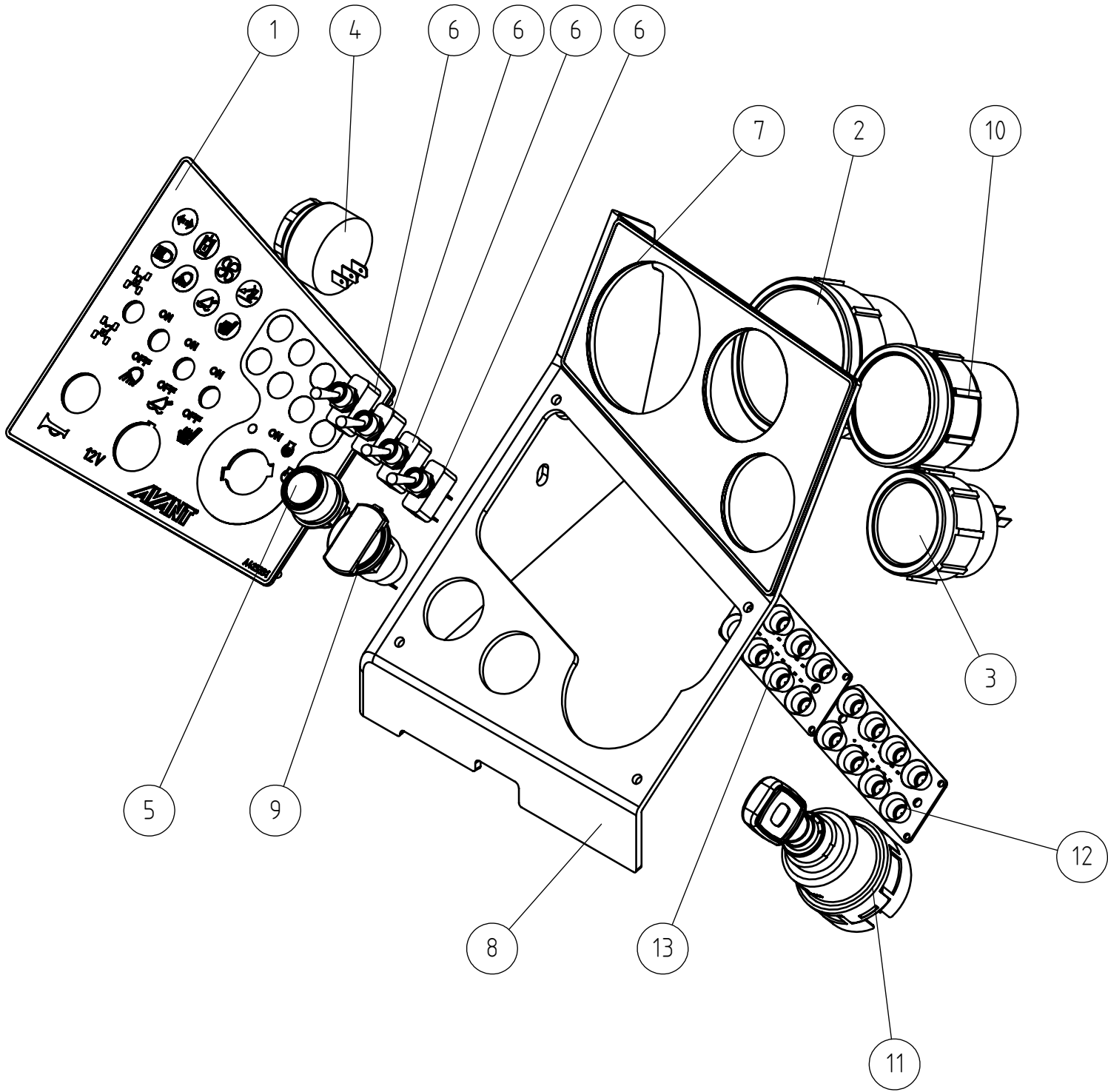
16.6.2023

A21705 UPHOLSTERY, COMPLETE, CAB DLX

REF	PART NO	QTY	DESCRIPTION	NOTES	PAGE
1	64986	1	EMERGENCY HAMMER HAPPICH RED		-
2	A432729	1	BRACKET, EMERGENCY HAMMER 64986		-
3	64990	1	SUN VISOR HAPPICH GREY		-
4	A412112	1	UPHOLSTERY PANEL, COLUMN RIGHT		-
5	65035	1	COAT HOOK, PLASTIC, BLACK		-
6	A411845	1	BOX, RADIO		-
7	A412227	1	UPHOLSTERY PANEL, COLUMN LEFT		-
8	A412275	1	STRIP		-
9	A411778	1	UPHOLSTERY PLATE, REAR WALL, CAB DLX		-
10	A412035	1	UPHOLSTERY PLATE, INSTRUMENT PANEL, CAB		-
11	A411687	1	UPHOLSTERY PLATE, LEFT SIDE, CAB DLX		-
12	A412358	1	UPHOLSTERY PLATE, FOOTWELL, CAB DLX		-
13	A411726	1	UPHOLSTERY PANEL, HEATER, CAB DLX		-
14	A412471	1	COVER PLATE, CONTROL LEVERS, CAB DLX		-
15	A412938	1	CONTROL SWITCH PANEL		-
16	A412500	1	DECAL, CONTROL LEVERS		-
17	A413222	1	FLOOR MAT		-
18	A413249	1	LOCKING PLATE, CONTROL LEVER		-
19	A413310	1	INSULATION, HEATER		-
20	A413430	1	GRILL, AIR CIRCULATION, CAB DLX		-
21	A413520	1	MOUNTING BRACKET WARNING TRIANGLE CAB		-
22	A413883	1	DECAL, WINDSCREEN WASHER TANK		-
23	A413760	1	DECAL FOPS/ROPS		-
24	A415043	1	PANEL PLATE CAB DLX		-
25	A35560	1	INNER CEILING, ASSEMBLY, CAB DLX		-
26	A415017	1	WEATHER STRIP, HEATER, CAB		-
27	65654	1	INTERIOR LAMP 12V 10W, CAB DLX		-
28	A413347	1	GRATING		-
29	A413147	1	RUBBER PLATE, CAB DLX		-
30	64994	5	NOZZLE, AIR FLOW, CAB		-
31	65037	1	WARNING TRIANGLE SLOW MOVING VEHICLE		-
32	64996	2	LOUDSPEAKER 2 WAY 80W		-
33	64995	1	RADIO RDS 12V/4*35W VDO TR114		-
34	A412208	1	SIDE PLATE		-
35	A431729	2	PAN HEAD MACHINE SCREW M3,9*19		-
36	A423600	1	DASHBOARD CAB DLX ASSEMBLY		140

16.6.2023

A423600 DASHBOARD CAB DLX ASSEMBLY



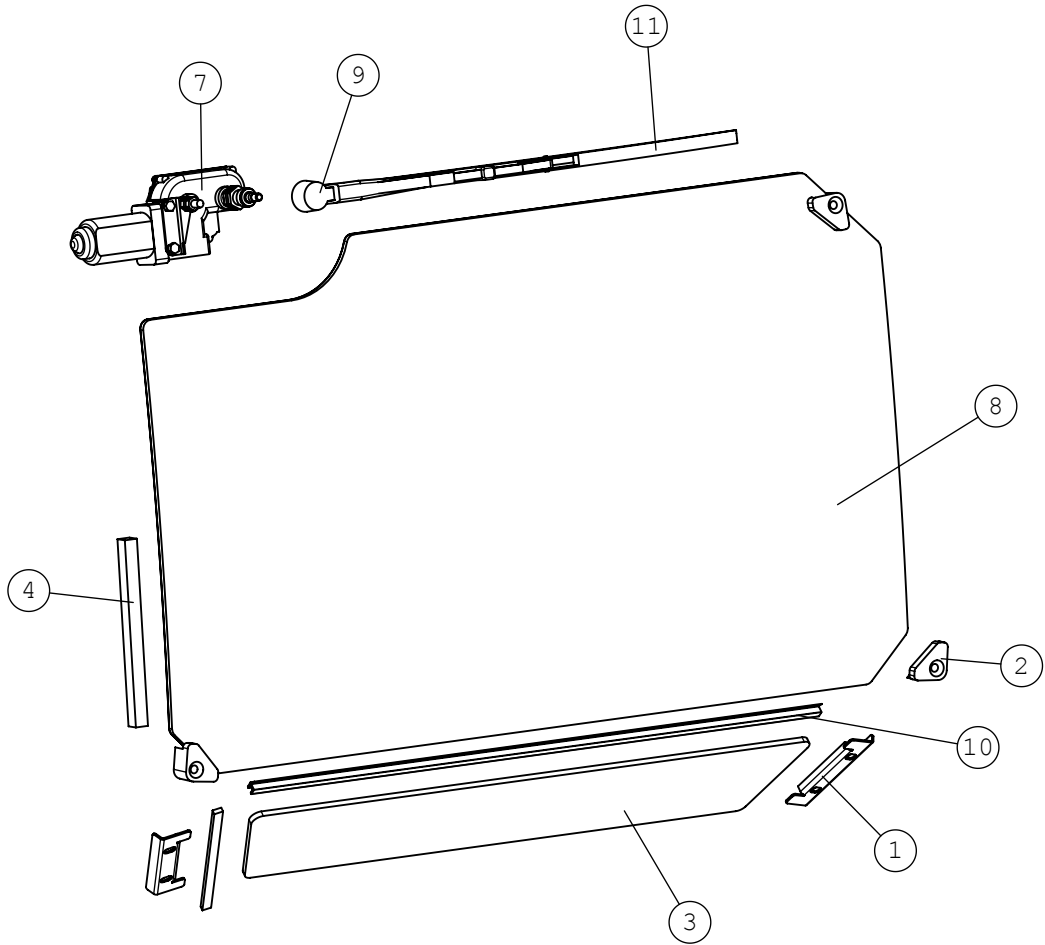
16.6.2023

A423600 DASHBOARD CAB DLX ASSEMBLY

REF	PART NO	QTY	DESCRIPTION	NOTES	PAGE
1	A425330	1	PANEL WITH DECAL INDICATORS CAB DLX		-
2	65123	1	HOUR METER/TACHOMETER 500/600 SERIES		-
3	65122	1	FUEL GAUGE		-
4	A440326	1	ALARM BEEPER D28,5/D45 -H47		-
5	64074	1	PUSH BUTTON F22,5 SIGNAL HORN		-
6	64602	4	ROCKER SWITCH ON-OFF 2-POLE 250VAC/10A		-
7	A423598	1	MOUNTING PLATE INDICATORS&GAUGES WITH OI		-
8	A423601	1	COVER PLATE INSTRUMENT PANEL, CAB DLX		-
9	A436424	1	OUTLET 12V/20A WITH COVER		-
10	A430775	1	THERMOMETER WATER/HYDRAULIC OIL		-
11	66156	1	IGNITION SWITCH 12V/30A/60A IP65 COBO		-
11.1	64214	1	IGNITION KEY		-
12	A425304	1	INDICATOR LIGHTS DIESEL ENGINE KOHLER		-
13	A425315	1	INDICATOR LIGHTS E SERIES		-

16.6.2023

A21707 WINDSCREEN ASSEMBLY, CAB DLX



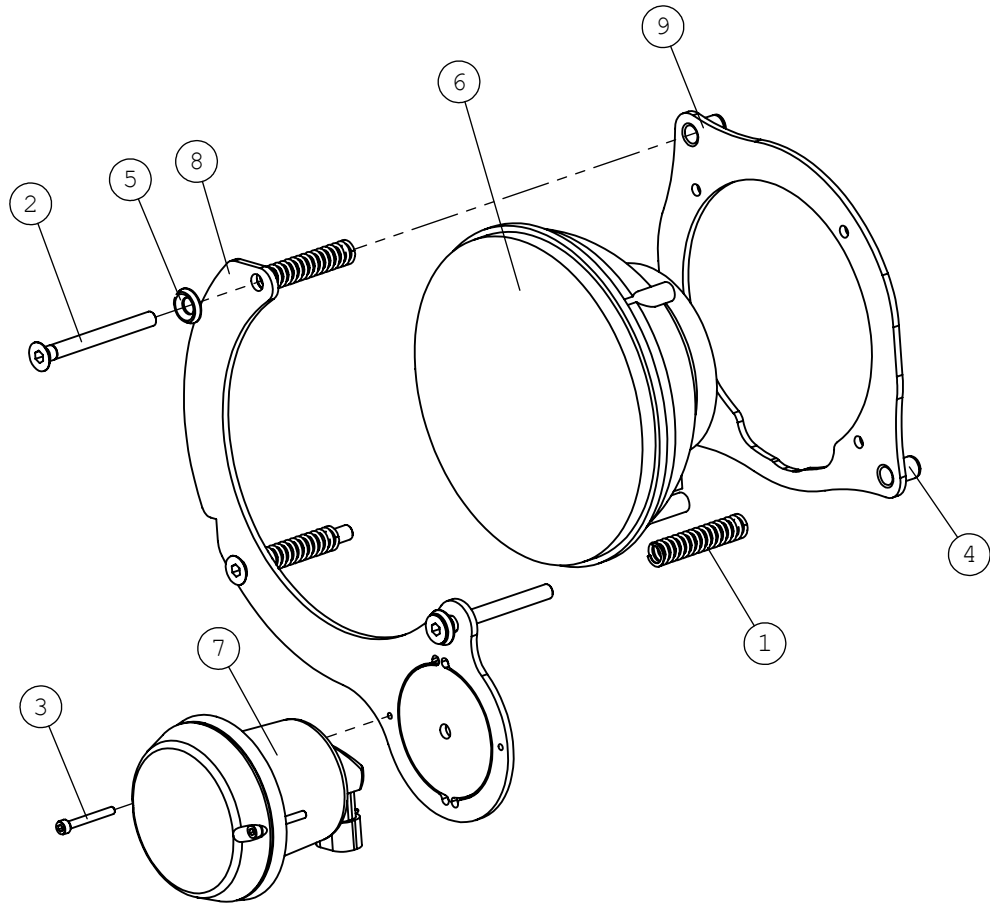
16.6.2023

A21707 WINDSCREEN ASSEMBLY, CAB DLX

REF	PART NO	QTY	DESCRIPTION	NOTES	PAGE
1	A412150	2	MOUNTING STRIP		-
2	A412362	3	BRACKET, WINDSCREEN		-
3	A411664	1	WINDOW, FRONT, SMALL, CAB DLX		-
4	A413839	1	WEATHER STRIP, WINDSCREEN, CAB DLX		-
5	A413848	1	WEATHER STRIP, WINDSCREEN SMALL, CAB DLX		-
6	74525	1	WASHER M8 8,4*20*1,25 ZN		-
7	65656	1	ELECTRIC MOTOR, WINDSCREEN WIPER		-
8	A414401	1	WINDSCREEN, CAB		-
9	65657	1	ARM, WINDSCREEN WIPER		-
10	A415503	1	WEATHER STRIP, WINDSCREENS, CAB LX/DLX		-
11	64573	1	WIPER BLADE		-

16.6.2023

A421890 HEADLIGHTS, ROAD TRAFFIC KIT CAB DLX



16.6.2023

A421890 HEADLIGHTS, ROAD TRAFFIC KIT CAB DLX

REF	PART NO	QTY	DESCRIPTION	NOTES	PAGE
1	66464	6	COMPRESSION SPRING 1,5*7*45 N=16,9		-
2	75139	6	COUNTERSUNK HEAD SCREW M6*60 DIN 7991		-
3	75138	4	HEXAGONAL HEAD SCREW M3*25 DIN912 2		-
4	74703	6	RIVET NUT M6 SUNK HEAD		-
5	74768	4	WASHER CONICAL M6		-
6	65484	2	HEADLIGHT/POSITION LIGHT		-
7	64849	2	BLINKER		-
8	A421888	2	MOUNTING BRACKET, HEADLIGHT		-
9	A421895	2	ADJUSTMENT PLATE		-
10	A418904	1	ELECTRIC HARNESS ADAPTOR CAB DLX		-

AVANT[®]

Varaosat Spare parts

Manufacturer:

AVANT[®]

AVANT TECNO OY

e-mail: sales@avanttecho.com

Ylötie 1

33470 Ylöjärvi

FINLAND

Tel. +358 3 347 8800

Fax +358 3 348 5511